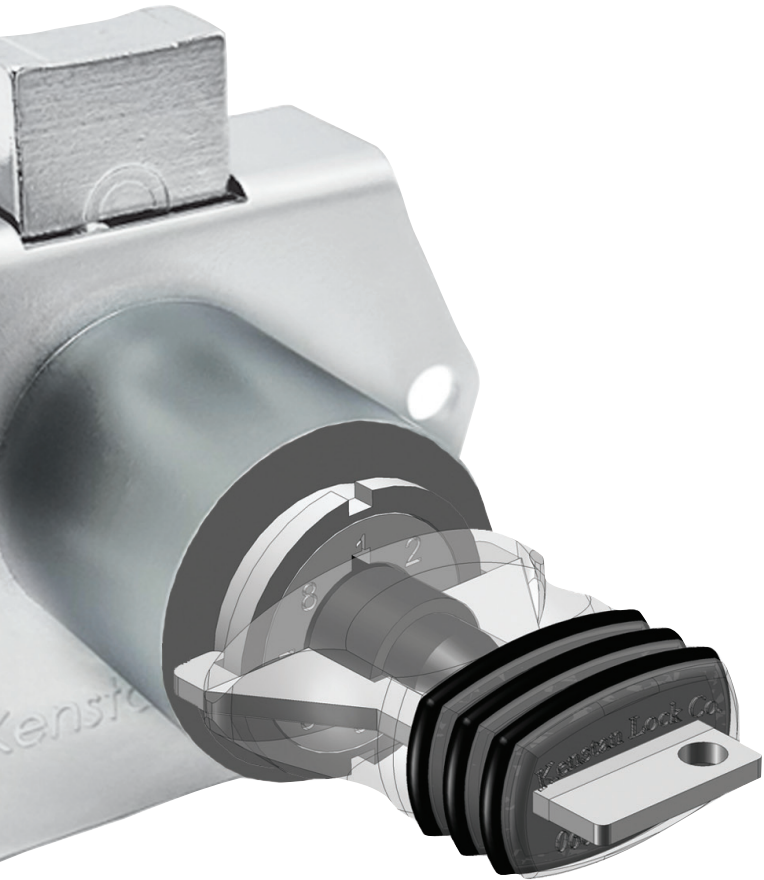


*New*

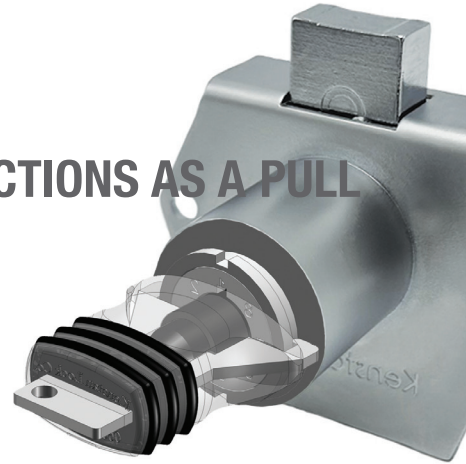
**K4: The Ultra-Strength Pull Line of locks**



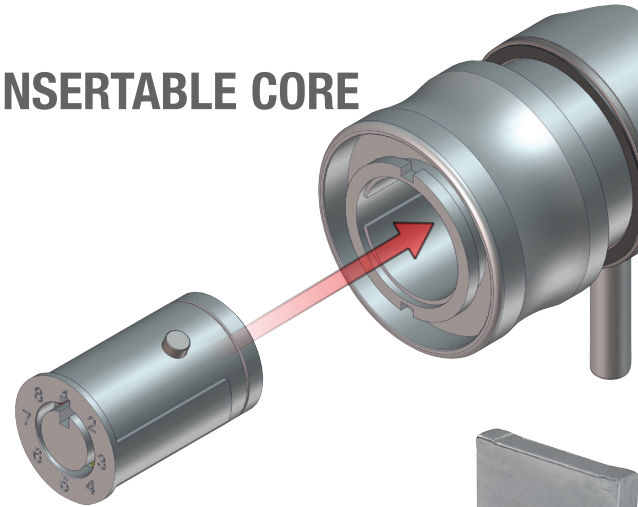
|                   |                                 |   |  |  |  |
|-------------------|---------------------------------|---|--|--|--|
| Introduction      | $\frac{K^4}{1}$                 |   |  |  |  |
| Cam Lock          | $\frac{K^4}{2}$ $\frac{K^4}{3}$ |    |  |  |  |
| Drawer/Door Locks | $\frac{K^4}{4}$ $\frac{K^4}{5}$ |    |  |  |  |
| Gang Locks        | $\frac{K^4}{6}$                 |   |  |  |  |
| Plunger Locks     | $\frac{K^4}{7}$ $\frac{K^4}{8}$ |  |  |  |  |
| Ratchet Lock      | $\frac{K^4}{9}$                 |  |  |  |  |
| Keys              | $\frac{K^4}{10}$                |  |  |  |  |



**KEY FUNCTIONS AS A PULL**



**INSERTABLE CORE**



**8 LOCKS IN ONE**



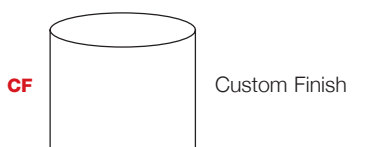
### Standard Plating Finishes



### \* Special Plating Finishes



### \* Custom Plating Finish



\* Extended lead-time and plating lot charges may apply to Special and Custom finishes. Please call Kenstan for details.

## K4: Ultra-Strength Locks Built on the Robust K2 Platform

Kenstan is proud to introduce a new line of **K4** locks.

Our **K4** line of locks are for applications that requires a more robust lock or to replace most I.C. Core lock housings with little to no showcase modification. This line offers all the great features of the K2 Keymatic series such as 8 locks in one, Insertable Core, and the Key Pull feature. Our K2 and K4 locks can be keyed alike making it easy to choose the appropriate size lock for your application. Each key code has eight individual operating keys 1 through 8, used one at a time to operate the lock. Our **Red Change Tool** can reset the lock to allow a new operating key (within the assigned code) to open the lock any time a key is lost or stolen – truly eight locks in one.

The lock can be ordered without the core which can be inserted later, much like our Interchangeable Core and Removable Core Locks. This will allow case builders to install the housings (without the keyed cores) into their cases, stock them and ship them to the stores. Once the cases arrive at the store, loss prevention can install the separately ordered cores and maintain complete Key Control. Of course, if the End-User and or the Case Builder prefer to receive the complete keyed lock we can ship it as such.

### Delivery

At Kenstan, we assemble every lock to order and strive to meet your requested in-house date. Our standard lead-time is to ship within two weeks from the receipt of your order. Rush orders and emergency services are available.

### Plating

The **K4** line standard plating finishes are Polished Nickel and Satin Chrome.

A wide range of special plating finishes is also available, including Polished Brass, Matte Black, Statuary Bronze, Satin Brass and Custom Finishes to match your showcase hardware.

**Please note:** Extended lead-time and plating lot charges may apply to Special and Custom finishes. Please call Kenstan for details.

### Key Control

The Keymatic series of locks and keys are built to a high level of precision, making key duplication very difficult. Please note: We recommend our factory original key for smooth lock operation. Use of non-Kenstan copy will void the Kenstan warranty on our locks.

We can register your keys and maintain your key plans by store, retail department, showcase/cabinets, or office and we maintain a historical database of key numbers.

The stamped number on the **K4/K2** key will have a prefix letter “P” followed by five numerical digits of which the last one represents the lock setting (1 to 8).

The **Red Change Tool** is stamped with the same code as the operating key, except the setting code is 0.

### Key Retaining vs. Non-Key Retaining Lock Function

Key Retaining means that the operating key can be removed in the locked position only. Non-Key Retaining (non-captive) allows the key to be removed in both the locked and unlocked positions, this feature will eliminate the key pull feature on some locks.

## Item Number

To determine your item number enter the **RED** option code for each section as in the example below.



### A Lock Style

**CL** Cam Lock

### B Core Type\*

**K4** K<sup>4</sup> Keymatic Pull

### C Housing Length

**05** 1-3/8"

### D Cam Rotation

|             | LOCKED | OPEN |
|-------------|--------|------|
| <b>0312</b> | 3      | 12   |
| <b>0306</b> | 3      | 6    |
| <b>0309</b> | 3      | 9    |
| <b>0612</b> | 6      | 12   |
| <b>0603</b> | 6      | 3    |
| <b>0609</b> | 6      | 9    |
| <b>0912</b> | 9      | 12   |
| <b>0903</b> | 9      | 3    |
| <b>0906</b> | 9      | 6    |
| <b>1203</b> | 12     | 3    |
| <b>1206</b> | 12     | 6    |
| <b>1209</b> | 12     | 9    |

### E Plating Finish

Extended lead-time and plating lot charges **may** apply to Special and Custom finishes.

| Special Finish | Code      | Description     |
|----------------|-----------|-----------------|
|                | <b>PN</b> | Polished Nickel |
|                | <b>SC</b> | Satin Chrome    |
|                | <b>PB</b> | Polished Brass  |
|                | <b>SB</b> | Satin Brass     |
|                | <b>BL</b> | Matte Black     |
|                | <b>ST</b> | Statuary Bronze |
|                | <b>CF</b> | Custom Finish   |

### F Key Retaining

\* Note: This option will eliminate the KEYPULL feature.

**N\*** No  
**Y** Yes

### G Insert Core

**Y** Yes  
**N** Pack Core Separately  
**ND** Ship Core to Different Location

### H Material Installation

**W** Wood  
**M** Metal  
**GR** Glass W/ Round Hole  
**GD** Glass W/ DD Hole

**Note:** Keys are not included with this lock. See page K410 to order keys.



Lock shown with a Straight Cam.

### I Cam Type

#### STRAIGHT

|            |        |
|------------|--------|
| <b>102</b> | 3/4"   |
| <b>103</b> | 7/8"   |
| <b>104</b> | 1"     |
| <b>105</b> | 1-1/8" |
| <b>106</b> | 1-1/4" |
| <b>107</b> | 1-3/8" |
| <b>108</b> | 1-1/2" |
| <b>110</b> | 1-3/4" |
| <b>112</b> | 2"     |
| <b>116</b> | 2-1/2" |

#### HOOK

|            |        |
|------------|--------|
| <b>202</b> | 3/4"   |
| <b>204</b> | 1"     |
| <b>206</b> | 1-1/4" |
| <b>208</b> | 1-1/2" |
| <b>210</b> | 1-3/4" |

#### 3/8" OFFSET

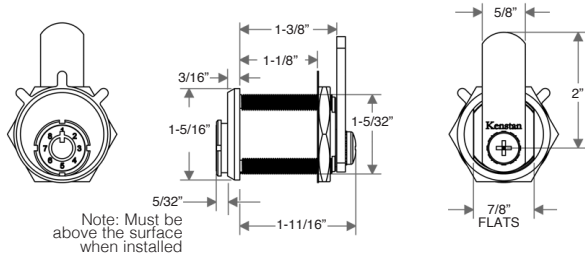
|            |        |
|------------|--------|
| <b>511</b> | 1-7/8" |
|------------|--------|

#### CUSTOM CAM

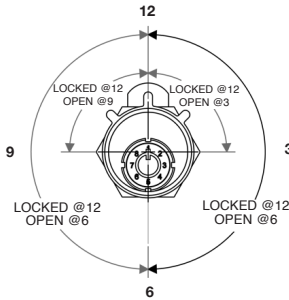
**CL**

Continued

**C HOUSING LENGTH 05**

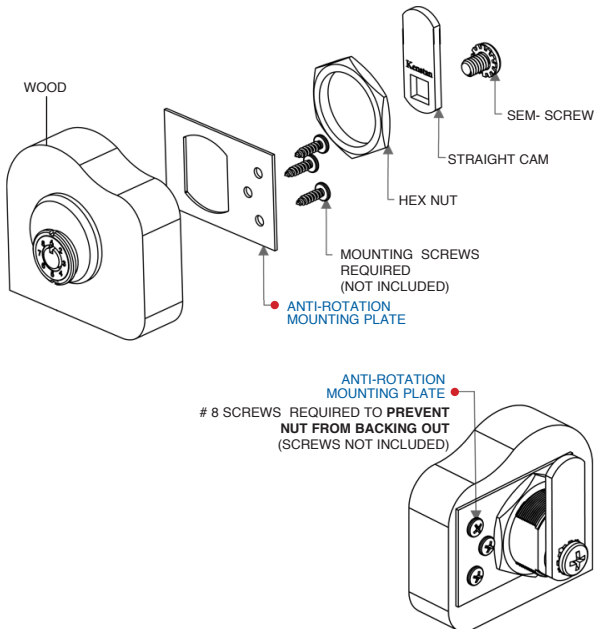


**D CAN ROTATION (Front of lock shown)**

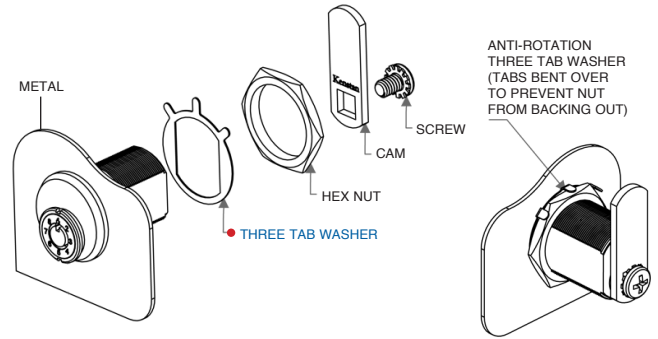


\*All 180 degree rotations are clockwise, unless specified.

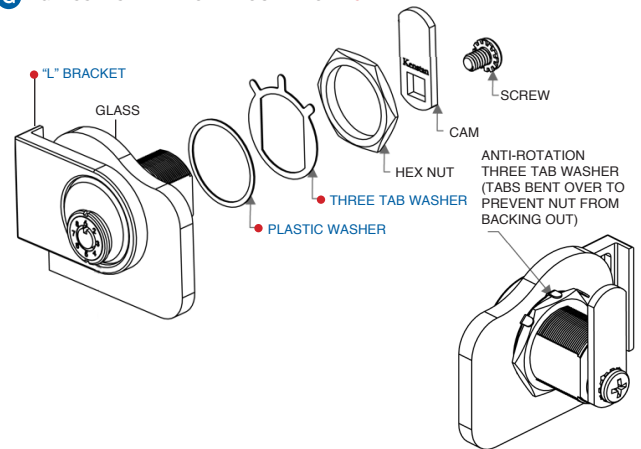
**G WOOD INSTALLATION W**



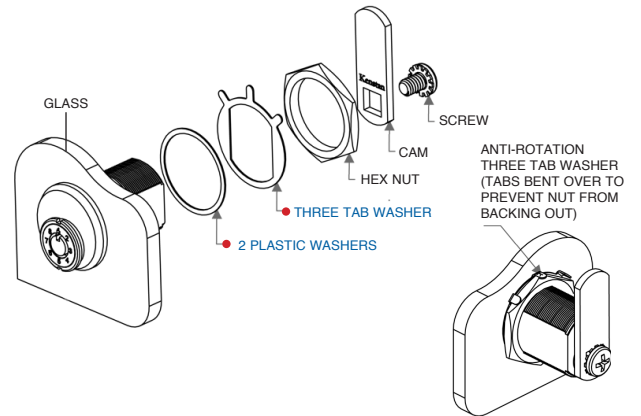
**G METAL INSTALLATION M (A double "D" shape hole is required)**



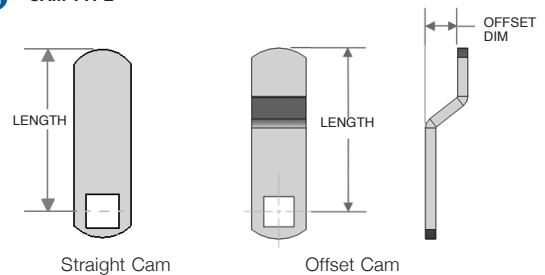
**G GLASS INSTALLATION - ROUND HOLE GR**



**G GLASS INSTALLATION - DOUBLE "D" HOLE GD**

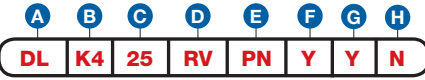


**H CAM TYPE**



**Item Number**

To determine your item number enter the **RED** option code for each section as in the example below.



**A Lock Style**

**DL** Drawer/Door Lock

**B Core Type\***

**K4** K<sup>4</sup> Keymatic Pull

**C Housing Length/Bolt Type**

**25** Dead Bolt

**D Housing Style** (Lock can be rotated)

**RIM SERIES**

**RV** Vertical  
**RI** Inverted

**E Plating Finish**

Extended lead-time and plating lot charges **may** apply to Special and Custom finishes.

|                |               |                 |
|----------------|---------------|-----------------|
| Special Finish | <b>PN</b>     | Polished Nickel |
|                | <b>SC</b>     | Satin Chrome    |
|                | <b>PB</b>     | Polished Brass  |
|                | <b>SB</b>     | Satin Brass     |
|                | <b>BL</b>     | Matte Black     |
|                | <b>ST</b>     | Statuary Bronze |
| <b>CF</b>      | Custom Finish |                 |

**F Key Retaining**

\* Note: This option will eliminate the KEYPULL feature.

**N\*** No  
**Y** Yes

**G Insert Core**

**Y** Yes  
**N** Pack Core Separately  
**ND** Ship Core to Different Location

**H Plastic Spacer**

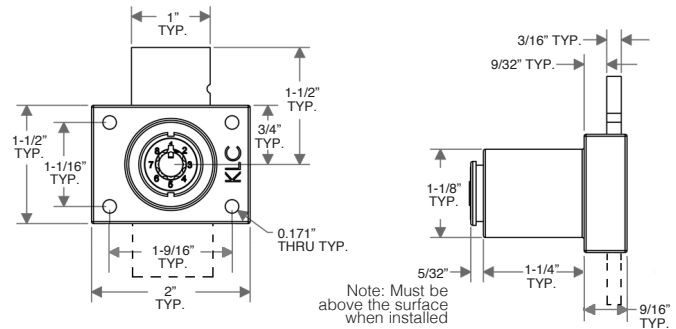
**N** No  
**Y1** One  
**Y2** Two  
**Y3** Three

**Note:** Keys are not included with this lock. See page K410 to order keys.



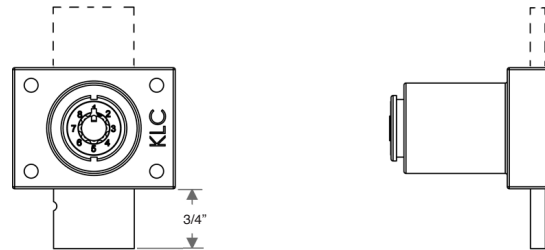
"Throw" (distance bolt travels from the locked to unlocked position) is 3/4".  
All dimensions shown are in the locked position.

**D VERTICAL**

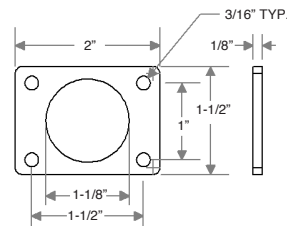


Note: Must be above the surface when installed

**D INVERTED**



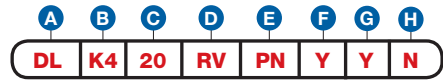
**H PLASTIC SPACER**



Data Sheet

**Item Number**

To determine your item number enter the **RED** option code for each section as in the example below.



**A Lock Style**  
**DL** Drawer/Door Lock

**B Core Type\***  
**K4** K<sup>4</sup> Keymatic Pull

**C Housing Length/Bolt Type**  
**20** Straight Dead Bolt  
**32** Spring  
**33** Reverse Spring

**D Housing Style** (Lock can be rotated)  
**RIM SERIES**  
**RV** Vertical  
**MORTISE SERIES**  
**MV** Vertical

**E Plating Finish**  
 Extended lead-time and plating lot charges **may** apply to Special and Custom finishes.

|                |           |                 |
|----------------|-----------|-----------------|
| Special Finish | <b>PN</b> | Polished Nickel |
|                | <b>SC</b> | Satin Chrome    |
|                | <b>PB</b> | Polished Brass  |
|                | <b>SB</b> | Satin Brass     |
|                | <b>BL</b> | Matte Black     |
|                | <b>ST</b> | Statuary Bronze |
|                | <b>CF</b> | Custom Finish   |

**F Key Retaining**  
 \* Note: This option will eliminate the KEYPULL feature on dead bolts.  
**N\*** No  
**Y** Yes

**G Insert Core**  
**Y** Yes  
**N** Pack Core Separately  
**ND** Ship Core to Different Location

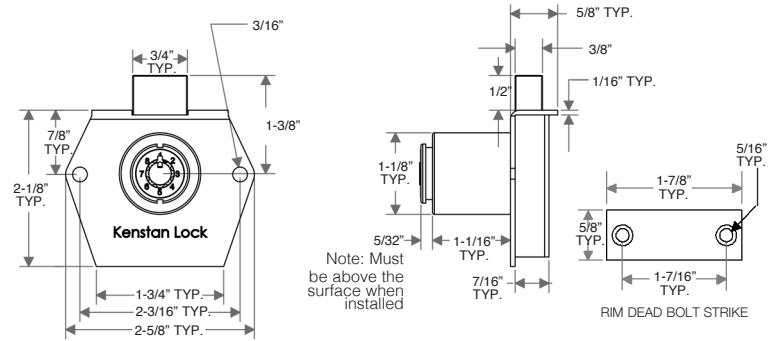
**H Strike Plate**  
**N** No  
**Y** Yes

**Note:** Keys are not included with this lock.  
 See page K410 to order keys.

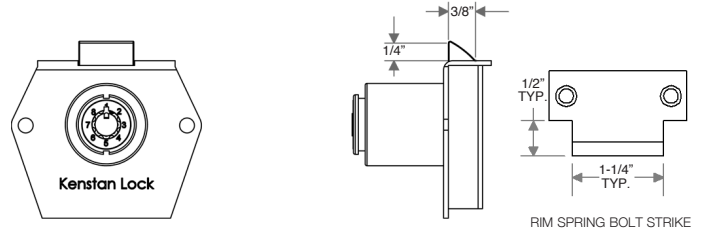


“Throw” (distance bolt travels from the locked to unlocked position) is 1/2”.  
 All dimensions shown are in the locked position.

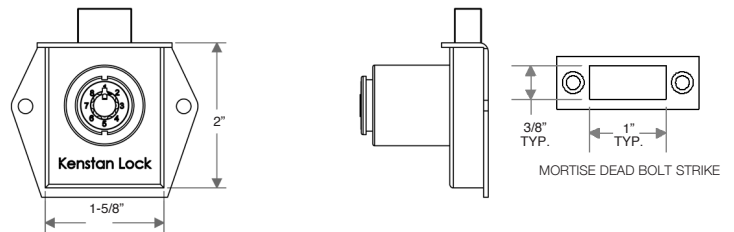
**D RIM MOUNT VERTICAL DEAD BOLT**



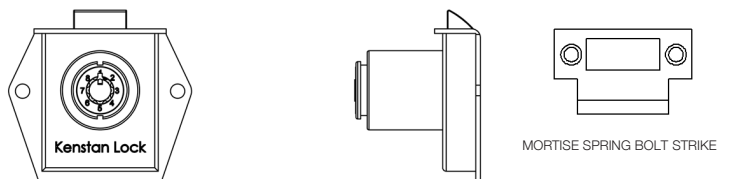
**D RIM MOUNT INVERTED SPRING BOLT**



**D MORTISE MOUNT VERTICAL DEAD BOLT**



**D MORTISE MOUNT VERTICAL SPRING BOLT**



**Item Number**

To determine your item number enter the **RED** option code for each section as in the example below.



**A Lock Style**

**GL** Gang Lock

**B Core Type\***

**K4** K<sup>4</sup> Keymatic Pull

**C Housing Style**

**R** Rim Series  
**M** Mortise Series

**D Mount Style/Bar Length**

|   |                                |        |
|---|--------------------------------|--------|
| Notch for Pin must be on Bottom of Drawer | <b>FRONT MOUNT LOCKED UP</b>   |        |
|   | <b>2424</b>                    | 24"    |
|   | <b>2436</b>                    | 36"    |
|   | <b>2448</b>                    | 48"    |
|   | <b>24CL</b>                    | Custom |
|   | <b>24NO</b>                    | No Bar |
| Notch for Pin must be on Top of Drawer    | <b>FRONT MOUNT LOCKED DOWN</b> |        |
|   | <b>2824</b>                    | 24"    |
|   | <b>2836</b>                    | 36"    |
|   | <b>2848</b>                    | 48"    |
|   | <b>28CL</b>                    | Custom |
|   | <b>28NO</b>                    | No Bar |
| <b>SIDE MOUNT LOCKED UP</b>               |                                |        |
| <b>2624</b>                               | 24"                            |        |
| <b>2636</b>                               | 36"                            |        |
| <b>2648</b>                               | 48"                            |        |
| <b>26CL</b>                               | Custom                         |        |
| <b>SIDE MOUNT LOCKED DOWN</b>             |                                |        |
| <b>3024</b>                               | 24"                            |        |
| <b>3036</b>                               | 36"                            |        |
| <b>3048</b>                               | 48"                            |        |
| <b>30CL</b>                               | Custom                         |        |

**E Plating Finish**

Extended lead-time and plating lot charges may apply to Special and Custom finishes.

|                |           |                 |
|----------------|-----------|-----------------|
| Special Finish | <b>PN</b> | Polished Nickel |
|                | <b>SC</b> | Satin Chrome    |
|                | <b>PB</b> | Polished Brass  |
|                | <b>SB</b> | Satin Brass     |
|                | <b>BL</b> | Matte Black     |
|                | <b>ST</b> | Statuary Bronze |
|                | <b>CF</b> | Custom Finish   |

**F Key Retaining**

\* Note: This option will eliminate the KEYPULL feature.

**N\*** No  
**Y** Yes

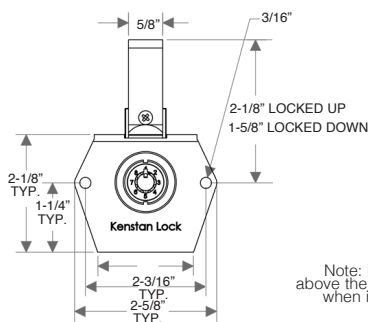
**G Insert Core**

**Y** Yes  
**N** Pack Core Separately  
**ND** Ship Core to Different Location

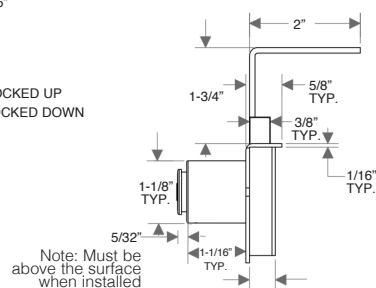
**Note:** Keys are not included with this lock. See page K410 to order keys.

"Throw" (distance bolt travels from the locked to unlocked position) is 1/2".

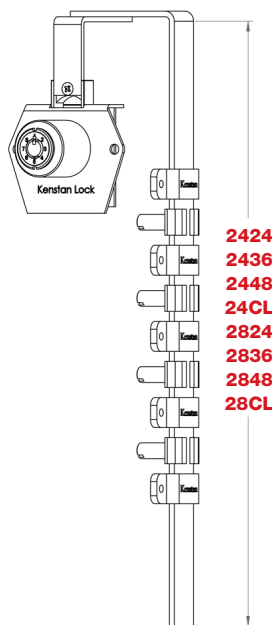
**FRONT MOUNT - FRONT VIEW**



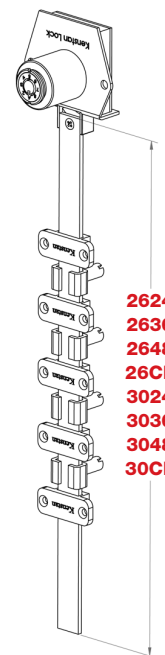
**FRONT MOUNT - SIDE VIEW**



**FRONT MOUNT (Shown with a Gang 3C Kit)**



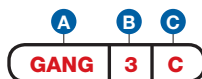
**SIDE MOUNT (Shown with a Gang 3C Kit)**



- 2424**
- 2436**
- 2448**
- 24CL**
- 2824**
- 2836**
- 2848**
- 28CL**
- 2624**
- 2636**
- 2648**
- 26CL**
- 3024**
- 3036**
- 3048**
- 30CL**

**Gang Lock Packages**

To determine your item number enter the **RED** option code for each section as in the example below.



**GANG 3C** A kit with three adjustable stops, three 1-1/8" pins, three lock washers, and four closed bar guides.

**A Package**

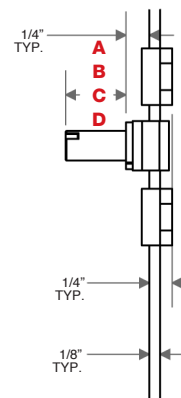
**GANG**

**B Number of Drawers**

**2**  
**3**  
**4**

**C Pin Length**

**A** 5/8"  
**B** 3/4"  
**C** 1-1/8"  
**D** 1-7/8"

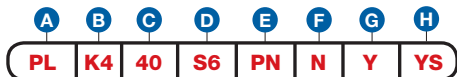




Data Sheet

**Item Number**

To determine your item number enter the **RED** option code for each section as in the example below.



- A Lock Style**  
**PL** Plunger Lock

---

- B Core Type\***  
**K4** K<sup>4</sup> Keymatic Pull

---

- C Housing Style**  
**40** Oval Flange

---

- D Plunger Type/Length**  
**LARGE PROFILE S TYPE**  
**S6** 1-11/16"

---

- E Plating Finish**  
Extended lead-time and plating lot charges **may** apply to Special and Custom finishes.
 

|           |                 |
|-----------|-----------------|
| <b>PN</b> | Polished Nickel |
| <b>SC</b> | Satin Chrome    |
| <b>PB</b> | Polished Brass  |
| <b>SB</b> | Satin Brass     |
| <b>BL</b> | Matte Black     |
| <b>ST</b> | Statuary Bronze |
| <b>CF</b> | Custom Finish   |

---

- F Key Retaining**  
**N** No

---

- Insert Core**

|           |                                 |
|-----------|---------------------------------|
| <b>Y</b>  | Yes                             |
| <b>N</b>  | Pack Core Separately            |
| <b>ND</b> | Ship Core to Different Location |

---

- H Through Bolt Mount Kit**

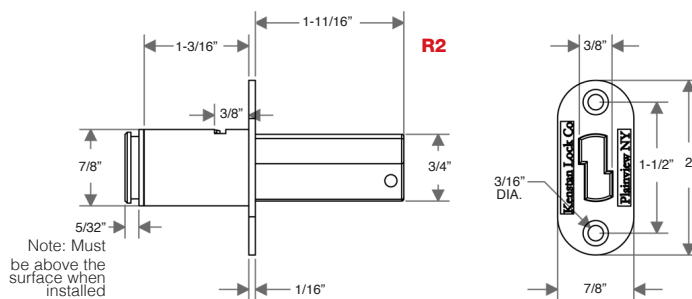
|           |               |
|-----------|---------------|
| <b>N</b>  | No            |
| <b>YS</b> | Support Plate |

**Note:** Keys are not included with this lock. See page K410 to order keys.



Note: This plunger will retract 100% in the open position.

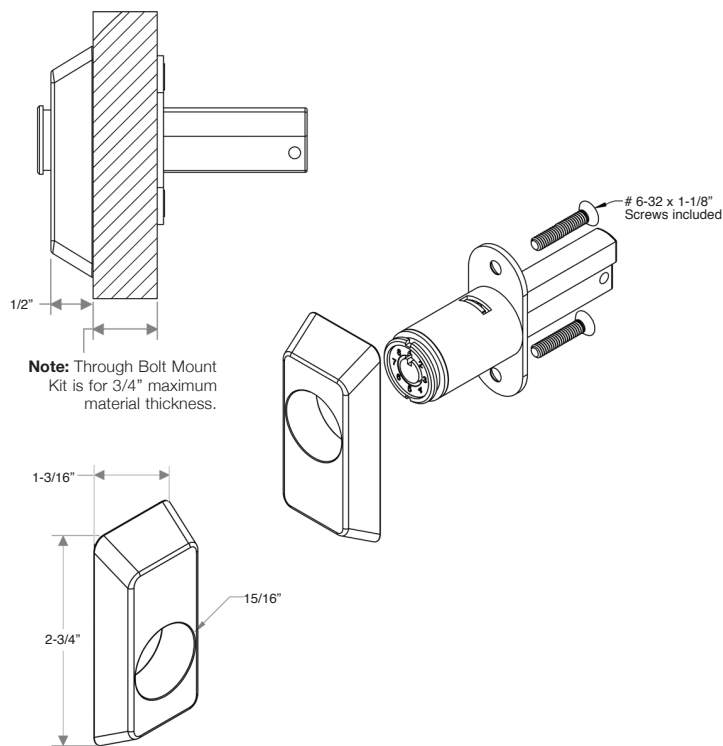
**D LARGE PROFILE S PLUNGER**



Note: Must be above the surface when installed

Note: 1/2" minimum material thickness if used without the support plate.

**EXPLODED VIEW WITH YS MOUNTING KIT**



**Note:** Through Bolt Mount Kit is for 3/4" maximum material thickness.

**Item Number**

To determine your item number enter the **RED** option code for each section as in the example below.



**A Lock Style**  
**PL** Plunger Lock

**B Core Type\***  
**K4** K<sup>4</sup> Keymatic Pull

**C Housing Style**  
**50** Round

**D Plunger Length/Material Thickness**

|            | PLUNGER | MATERIAL |
|------------|---------|----------|
| <b>S6A</b> | 1-3/4"  | 1/4"     |
| <b>S6B</b> | 1-5/8"  | 3/8"     |
| <b>S6C</b> | 1-1/4"  | 3/4"     |

**E Plating Finish**  
Extended lead-time and plating lot charges may apply to Special and Custom finishes.

|                |           |                 |
|----------------|-----------|-----------------|
| Special Finish | <b>PN</b> | Polished Nickel |
|                | <b>SC</b> | Satin Chrome    |
|                | <b>PB</b> | Polished Brass  |
|                | <b>SB</b> | Satin Brass     |
|                | <b>BL</b> | Matte Black     |
|                | <b>ST</b> | Statuary Bronze |
|                | <b>CF</b> | Custom Finish   |

**F Key Retaining**  
**N** No

**G Insert Core**

|           |                                 |
|-----------|---------------------------------|
| <b>Y</b>  | Yes                             |
| <b>N</b>  | Pack Core Separately            |
| <b>ND</b> | Ship Core to Different Location |

**H Material**

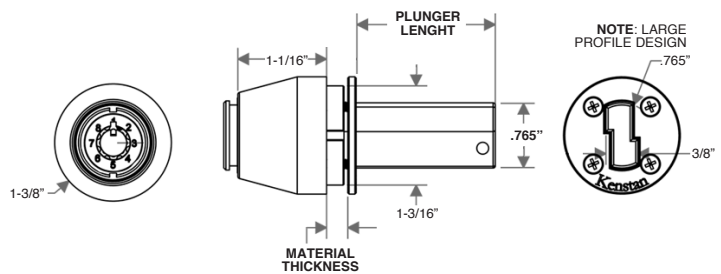
|          |       |
|----------|-------|
| <b>G</b> | Glass |
| <b>M</b> | Metal |
| <b>W</b> | Wood  |

**Note:** Keys are not included with this lock. See page K410 to order keys.

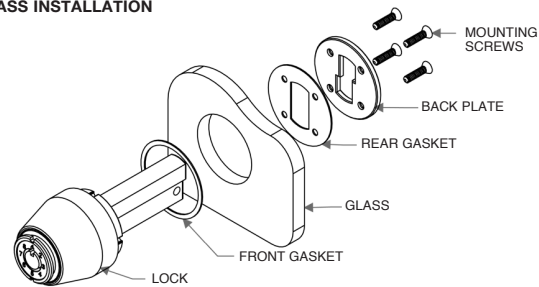


Note: This plunger will retract 100% in the open position.

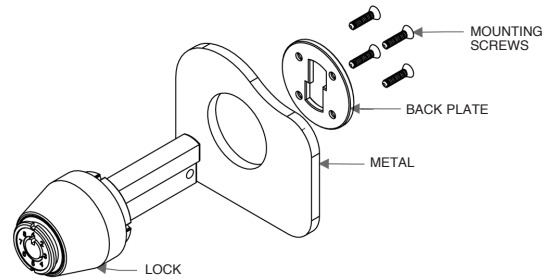
**D PLUNGER LENGTH/MATERIAL THICKNESS**



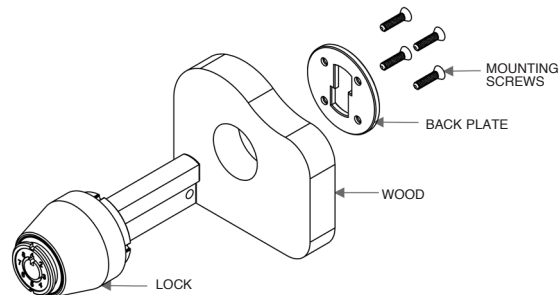
**H GLASS INSTALLATION**



**H METAL INSTALLATION**



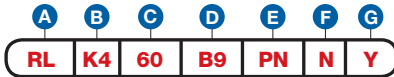
**H WOOD INSTALLATION**



## Data Sheet

### Item Number

To determine your item number enter the **RED** option code for each section as in the example below.



#### A Lock Style

**RL** Ratchet Lock

#### B Core Type

**K4** K<sup>4</sup> Keymatic Pull

#### C Housing Style

**60** Ratchet

#### D Bar Type

**B1** Standard  
**B2** Adjustable  
**B5** Stick on Outer Surface  
**Best Seller B9** Stick on Inner Surface

#### E Plating Finish

Extended lead-time and plating lot charges **may** apply to Special and Custom finishes.

**PN** Polished Nickel  
**SC** Satin chrome  
**CF** Custom Finish

#### F Key Retaining

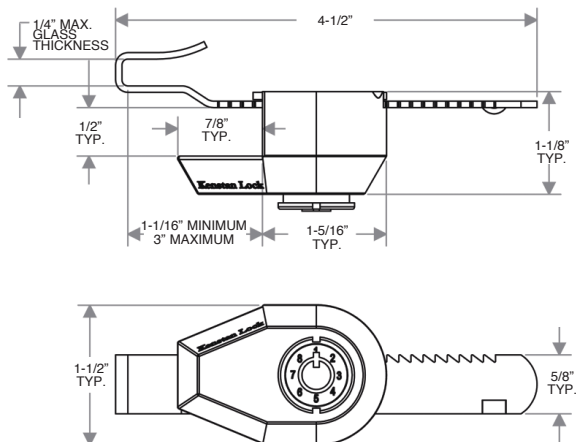
**N** No  
**New Y** Yes (Dead Bolt Design)

#### G Insert Core

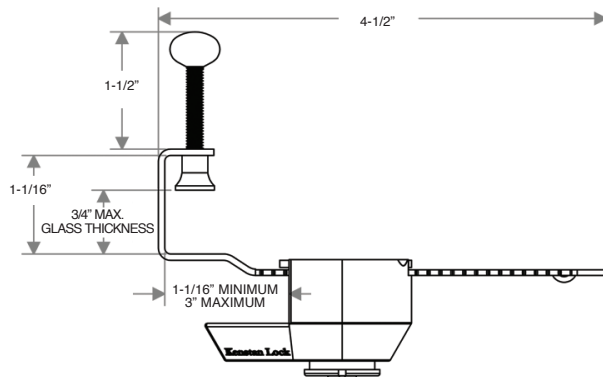
**Y** Yes  
**N** Pack Core Separately  
**ND** Ship Core to Different Location

**Note:** Keys are not included with this lock.  
 See page K410 to order keys.

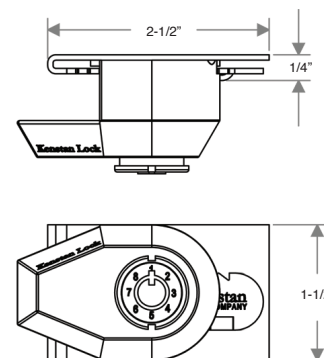
#### D STANDARD BAR **B1**



#### D ADJUSTABLE BAR **B2**

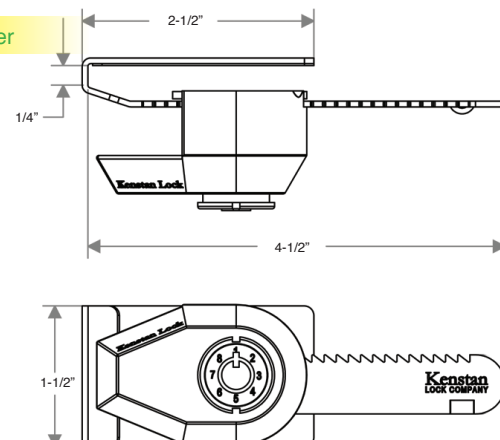


#### D STICK ON BAR (Outer Surface) **B5**



#### D STICK ON BAR (Inner Surface) **B9**

**Best Seller**



## K2 / K4 Keymatic Tubular Keys

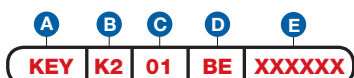
In the retail industry, opening a showcase has always been a matter of putting the key in the lock and pulling the door or drawer open with the key. Keys and locks were never designed to be used this way. That is until now! We designed our product to accommodate how people actually use their keys. With our new **K2/K4** Keymatic Pull Line of locks you still have the same great features of eight locks for the price of one. However, this specially tooled key interlocks with the face of the lock. Now you can use the key without the risk of damaging the keys or the lock.

Customers now have the option to color code the keys by department or lock setting (1 to 8).

The **Red Change Tool** is stamped with the same code as the operating key, except the setting code is 0.

### Item Number

To determine your item number enter the **RED** option code for each section as in the example below.



#### A Item

**KEY** Key

#### B Core Type

**K2** K<sup>2</sup> / K<sup>4</sup> Keymatic

#### C Operating Key No.

**01** One  
**02** Two  
**03** Three  
**04** Four  
**05** Five  
**06** Six  
**07** Seven  
**08** Eight

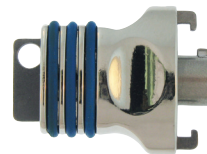
#### D Cover Color

**BE** Blue  
**OR** Orange  
**PN** Polished Nickel  
**BL** Black  
**PE** Purple  
**GN** Green  
**YE** Yellow  
**WH** White

#### E Key Code

**XXXXXX** Specific  
 Up to 6 digits  
**A** Any  
 Kenstan assigns

### OPERATING KEY O-RINGS COLORS



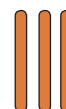
**BE**  
Blue



**PE**  
Purple



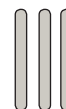
**OR**  
Orange



**GN**  
Green



**PN**  
Polished  
Nickel



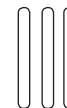
**YE**  
Yellow



**BL**  
Black



**WH**  
White



### RED CHANGE TOOL TOOL

#### Item Number

**KEY** **K2** **TOOL** **XXXXXX**



- 1. Pricing:** Kenstan Lock reserves the right to institute price adjustments based upon fluctuation of material costs without prior notice. Orders, or balances of orders, that have not shipped within 6 months from the original order date may be subject to a price review.
- 2. Payment Terms:** Payment must be made at time of purchase, unless otherwise approved by Kenstan with terms of Net 30 Days from the date of the invoice. A service charge of 1.5% per month will be charged on overdue accounts.
- 3. Shipping:** Please be sure to specify your preferred shipping method on every order. For all orders received without shipping instructions, Kenstan will use our discretion to make carrier selection based upon the most economical method of shipment available to meet your required in house date. Kenstan is not responsible for risk of loss or damage to products in transit with the selected carrier.
- 4. Deliveries:** At Kenstan, we assemble every lock to order and strive to meet your requested in-house date. Our standard lead time is to ship within two weeks from the receipt of your order. Rush orders and emergency services are available. Unless specifically prohibited in writing by the purchaser, Kenstan reserves the right to make partial shipments of any order.
- 5. Inspection:** Kenstan Lock inspects all products in accordance with our standard quality control procedures. Upon receipt and inspection by the purchaser, any parts proven to be defective or not as ordered may be returned to Kenstan for repair or replacement following the conditions in the "Returned Goods" section (#6) below.
- 6. Returned Goods:** Product replacement or account credit for any returned goods will be made solely at the discretion of Kenstan and will only be accepted upon the issuance of a Return Authorization number from Kenstan's Customer Service Department. Merchandise proven to be defective, due to faulty material and/or workmanship, may be returned for full replacement or credit. Any product ordered incorrectly by the customer may be accepted for return and subject to a 50% handling charge. Locks made with special or out-of production parts are not returnable, unless prior arrangements have been made. Returned merchandise that is damaged in transit, due to inadequate return packaging, will not be accepted.
- 7. Warranty:** Kenstan Lock warrants, for a period of one year from delivery, that our products are free from defects in material and workmanship and makes no other warranties, expressed or implied, including but not limited to the degree of security or the purchaser's application or use of our product. Kenstan Lock Co. will not warranty any locks or parts that were modified outside of our factory. In the event of a product defect, Kenstan shall only be responsible to the extent of the cost of our product, and will not accept any claims for labor or loss of merchandise.
- 8. Cancellation:** If all or any part of an order is cancelled before the completion of the product assembly by Kenstan, the purchaser shall be responsible for payment of all assembled items as well as any special parts ordered for items remaining unassembled at the time of cancellation. If pricing on the original order was based upon Kenstan's quantity discount, a partial cancellation may affect the pricing on items already shipped and invoiced and a price adjustment will be made.
- 9. Catalog Dimensions and Sample Policy:** Please be aware that all lock and part drawing dimensions carry a tolerance of plus or minus 1/16" and are for reference only. Please contact us for actual dimensions. All specifications are subject to change without notice. Samples products are available upon request.