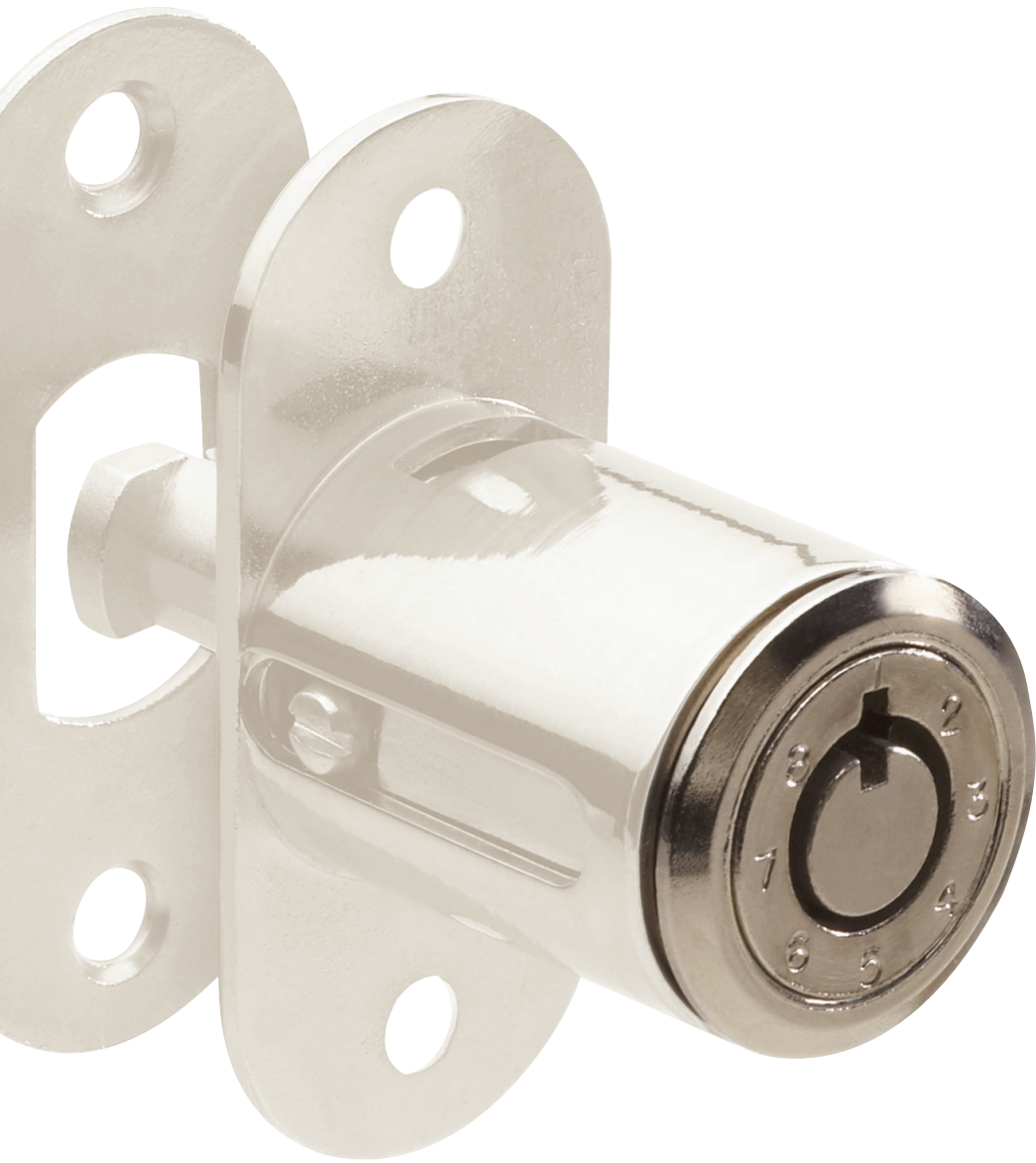


## Keymatic Line of Locks



Introduction	$\frac{K}{1}$					
Cam Locks	$\frac{K}{2}$ $\frac{K}{3}$					
Drawer/Door Locks	$\frac{K}{4}$					
Gang Locks	$\frac{K}{5}$					
Snap Bolt Lock	$\frac{K}{6}$					
Plunger Locks	$\frac{K}{7}$ $\frac{K}{8}$ $\frac{K}{9}$ $\frac{K}{10}$	   				
Ratchet Locks	$\frac{K}{11}$					
Keys	$\frac{K}{12}$					



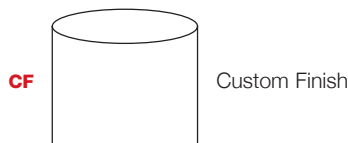
## Standard Plating Finish



## \* Special Plating Finishes



## \* Custom Plating Finish



\* Extended lead-time and plating lot charges may apply to Special and Custom finishes. Please call Kenstan for details.

## Keymatic Line of Locks

Our **K** line offers excellent security in a variety of lock types that can be keyed to thousands of different key codes. Each key code has eight individual operating keys 1 through 8, used one at a time to operate the lock. Our **Red Change Tool** can reset the lock to allow a new operating key (within the assigned code) to open the lock any time a key is lost or stolen – truly eight locks in one.

Locks can be keyed alike, individually or in groups

**Delivery**

At Kenstan, we assemble every lock to order and strive to meet your requested in-house date. Our typical lead time is to ship within one week from the receipt of your order. Call Kenstan customer service for same day Rush orders.

**Plating**

The **K** line standard plating finish is Polished Nickel.

A wide range of special plating finishes is also available, including Satin Nickel, Polished Brass, Matte Black, Statuary Bronze, Satin Brass and Custom Finishes to match your showcase hardware.

**Please note:** Extended lead-time and plating lot charges may apply to Special and Custom finishes. Please call Kenstan for details.

**Key Control**

Keymatic locks and keys are built to a high level of precision, making key duplication very difficult. Please note: We recommend our factory original key for smooth lock operation. Use of non-Kenstan copy will void the Kenstan warranty on our locks.

We can register your keys and maintain your key plans by store, retail department, showcase/cabinets, or office and we maintain a historical database of key numbers.

All operating keys are stamped with a two-digit, alpha numeric date code, a four-digit, numeric Keymatic code and a one-digit, numeric setting code (from 1 to 8) with a matching color coded key cover.

The **Red Change Tool** is stamped with the same code as the operating key, except without the setting code.

**Key Retaining vs. Non-Key Retaining Lock Function**

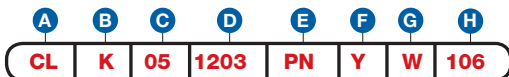
The **K** line standard operation is a key retaining function (captive), which means that the operating key can be removed in the locked position only; therefore, the lock cannot be accidentally left in the open/unlocked position.

**K** locks can also be supplied as non-key retaining (non-captive), which allows the key to be removed in both the locked and unlocked position.

Designer Note: For true captive operation, the use of our captive key locks must be coordinated with sliding door showcase design. The use of non by-passing sliding doors is recommended to restrict door movement and ensure key removal only when the doors are in the secure position.

## Item Number

To determine your item number enter the **RED** option code for each section as in the example below.



### A Lock Style

**CL** Cam Lock

### B Core Type

**K** Keymatic

### C Housing Length

#### MAXIMUM MATERIAL THICKNESS

	WOOD	METAL	GLASS	BARREL LENGTH
<b>02</b>	-	7/16"	1/4"	11/16"
<b>03</b>	9/16"	5/8"	1/2"	15/16"
<b>04*</b>	3/4"	7/8"	11/16"	1-1/8"
<b>05</b>	1-1/8"	1-1/8"	1"	1-1/2"
<b>10</b>	1-5/8"	-	-	1-13/16"
<b>11</b>	1-7/8"	-	-	2"
<b>12</b>	2-3/16"	-	-	2-3/8"
<b>13</b>	2-1/2"	-	-	2-13/16"
<b>14</b>	2-3/4"	-	-	3"
<b>15</b>	3"	-	-	3-3/8"

### D Cam Rotation

	LOCKED	OPEN
<b>0312</b>	3	12
<b>0306</b>	3	6
<b>0309</b>	3	9
<b>0603</b>	6	3
<b>0612</b>	6	12
<b>0609</b>	6	9
<b>0912</b>	9	12
<b>0903</b>	9	3
<b>0906</b>	9	6
<b>1203</b>	12	3
<b>1206</b>	12	6
<b>1209</b>	12	9

### E Plating Finish

Extended lead-time and plating lot charges may apply to Special and Custom finishes.

Special Finish	
<b>PN</b>	Polished Nickel
<b>SN</b>	Satin Nickel
<b>PB</b>	Polished Brass
<b>SB</b>	Satin Brass
<b>BL</b>	Matte Black
<b>ST</b>	Statuary Bronze
<b>CF</b>	Custom Finish

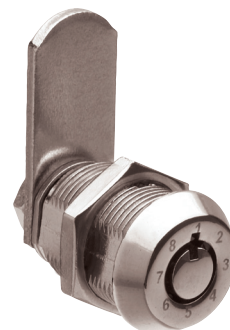
### F Key Retaining

**Y** Yes  
**N** No

### G Material Installation

**W** Wood  
**M** Metal  
**GR** Glass with Round Hole  
**GD** Glass with Double "D" Hole  
**O** Other - No Mounting Hardware

**Note:** Keys are not included with this lock. See page 12 to order keys.



**Note:** All Cam Locks come with a 1-1/4" Straight Cam unless a different cam is chosen.

### H Cam Type

#### STRAIGHT

<b>101</b>	5/8"
<b>102</b>	3/4"
<b>103</b>	7/8"
<b>104</b>	1"
<b>105</b>	1-1/8"
<b>106</b>	1-1/4"
<b>107</b>	1-3/8"
<b>108</b>	1-1/2"
<b>110</b>	1-3/4"
<b>112</b>	2"
<b>116</b>	2-1/2"

#### 1/8" OFFSET

<b>303</b>	7/8"
<b>306</b>	1-1/4"
<b>308</b>	1-1/2"
<b>312</b>	2"

#### 1/4" OFFSET

<b>403</b>	7/8"
<b>404</b>	1"
<b>406</b>	1-1/4"
<b>408</b>	1-1/2"
<b>410</b>	1-3/4"
<b>412</b>	2"
<b>414</b>	2-1/4"

#### 3/8" OFFSET

<b>504</b>	1"
<b>506</b>	1-1/4"
<b>508</b>	1-1/2"
<b>512</b>	2"

#### 1/2" OFFSET

<b>606</b>	1-1/4"
<b>608</b>	1-1/2"
<b>610</b>	1-3/4"
<b>612</b>	2"

#### 5/8" OFFSET

<b>712</b>	2"
------------	----

#### HOOK

<b>202</b>	3/4"
<b>204</b>	1"
<b>206</b>	1-1/4"
<b>208</b>	1-1/2"
<b>210</b>	1-3/4"

#### PIN CAM

**P604** 9/16" offset

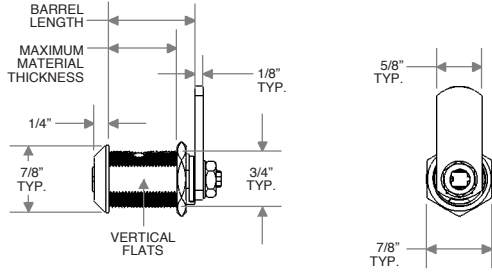
#### FOR SWITCH KIT

**SL** No Cam\*

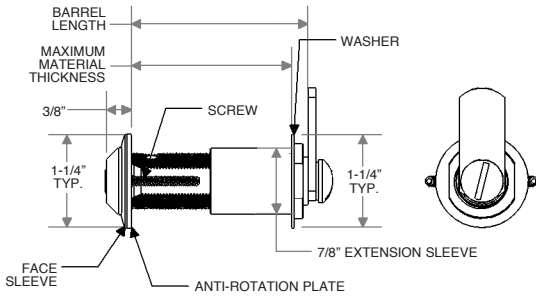
\*Switch option available. See Page A10 to order switch kit.

Continued

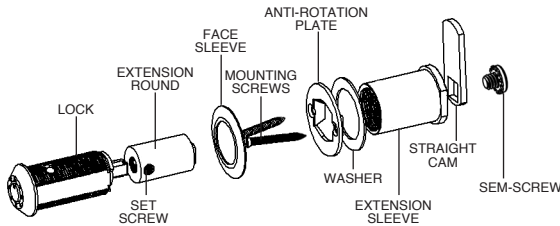
**C HOUSING LENGTHS 02, 03, 04 and 05**



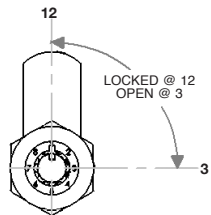
**C HOUSING LENGTHS 10, 11, 12, 13, 14 and 15**



**CAM LOCK - EXPLODED VIEW**

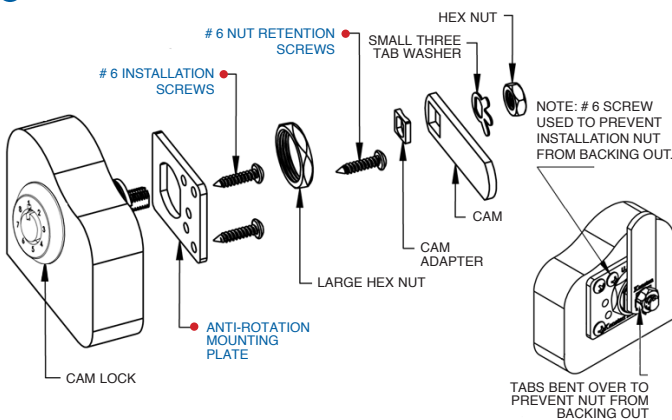


**D CAM ROTATION EXAMPLE**

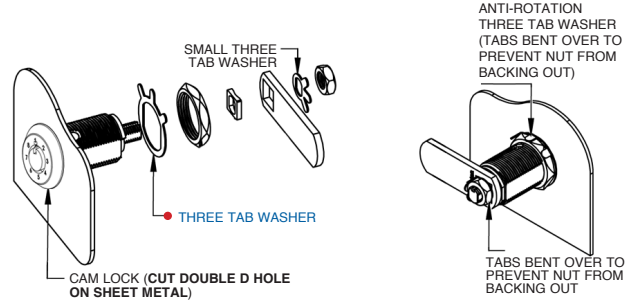


All 180 degree rotations are clockwise, unless specified.

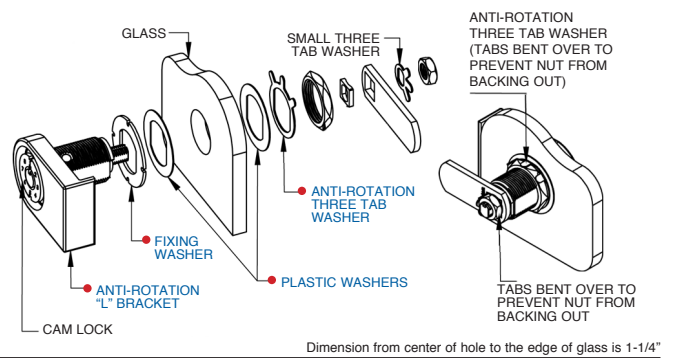
**G WOOD INSTALLATION W**



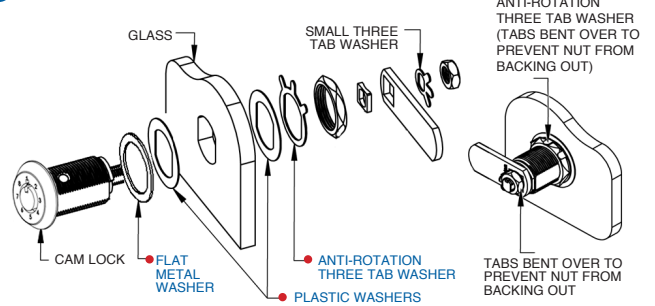
**G METAL INSTALLATION M**



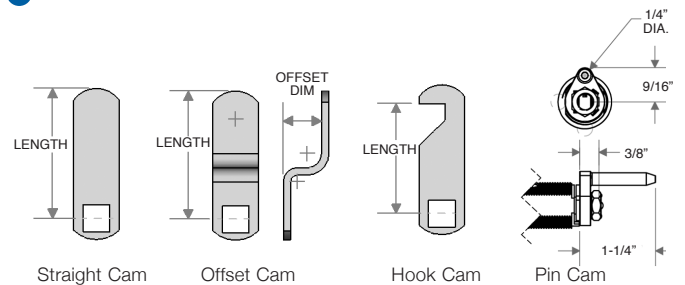
**G GLASS INSTALLATION - ROUND HOLE GR**



**G GLASS INSTALLATION - DOUBLE D HOLE GD**



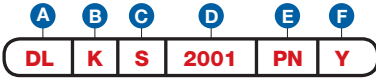
**H CAM TYPES**



**Note:** All Offset cams are reversible.

**Item Number**

To determine your item number enter the **RED** option code for each section as in the example below.



**A Lock Style**

**DL** Drawer/Door Lock

**B Core Type**

**K** Keymatic

**C Housing Length**

**S** 13/16"  
**M** 1-1/16"  
**L** 1-3/16"

**D Bolt Type**

**STRAIGHT BOLT**  
**2001** 1-1/16"  
**2002** 1-11/16"  
**2003** 2-5/16"  
**2004** 3-1/8"

**3/8" OFFSET BOLT**  
**2205** 1-5/8"

**DIECAST SPRING BOLT**  
**3209** 1-5/16" Std.

**INVERTED SLIDING SPRING BOLT**  
**3410** 1-5/16" Left  
**3411** 1-5/16" Right

**E Plating Finish**

Extended lead-time and plating lot charges may apply to Special and Custom finishes.

Special Finish	<b>PN</b> Polished Nickel
	<b>SN</b> Satin Nickel
	<b>PB</b> Polished Brass
	<b>SB</b> Satin Brass
	<b>BL</b> Matte Black
	<b>ST</b> Statuary Bronze
<b>CF</b> Custom Finish	

**F Key Retaining**

\* Option available only on Straight Bolt and 3/8" Offset Bolt models.

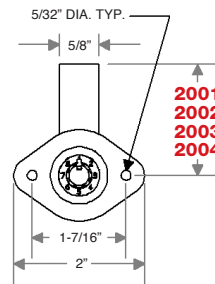
**N** No  
**Y\*** Yes

**Note:** Keys are not included with this lock. See page K12 to order keys.

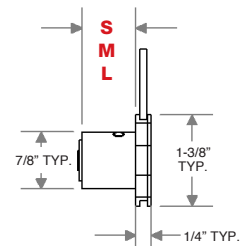


"Throw" (distance bolt travels from the locked to unlocked position) is 5/16". All dimensions shown are in the locked position.

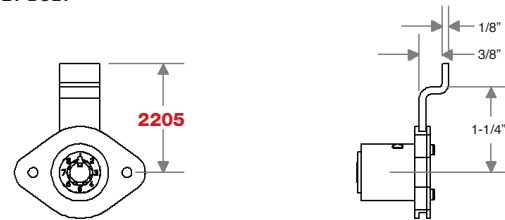
**D STRAIGHT BOLT**



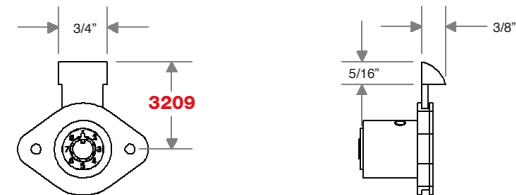
**C HOUSING LENGTH**



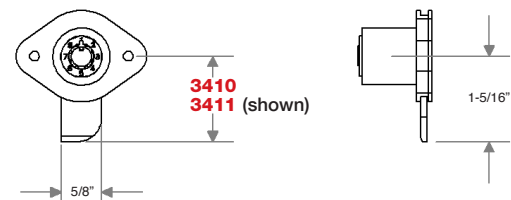
**D 3/8" OFFSET BOLT**



**D DIECAST SPRING BOLT (3/16" bolt engagement recommended)**



**D INVERTED SLIDING SPRING BOLT**



## Data Sheet

### Item Number

To determine your item number enter the **RED** option code for each section as in the example below.



**A Lock Style**  
**GL** Gang Lock

**B Core Type**  
**K** Keymatic

**C Housing Length**  
**S** 13/16"  
**M** 1-1/16"  
**L** 1-3/16"

**D Mount Style/Bar Length**

Notch for Pin must be on Bottom of Drawer	<b>FRONT MOUNT LOCKED UP</b>	
	<b>2424</b>	24"
	<b>2436</b>	36"
	<b>2448</b>	48"
	<b>24CL</b>	Custom
	<b>24NO</b>	No Bar
Notch for Pin must be on Top of Drawer	<b>FRONT MOUNT LOCKED DOWN</b>	
	<b>2824</b>	24"
	<b>2836</b>	36"
	<b>2848</b>	48"
	<b>28CL</b>	Custom
	<b>28NO</b>	No Bar
Notch for Pin must be on Bottom of Drawer	<b>SIDE MOUNT LOCKED UP</b>	
	<b>2624</b>	24"
	<b>2636</b>	36"
	<b>2648</b>	48"
	<b>26CL</b>	Custom
	Notch for Pin must be on Top of Drawer	<b>SIDE MOUNT LOCKED DOWN</b>
<b>3024</b>		24"
<b>3036</b>		36"
<b>3048</b>		48"
<b>30CL</b>		Custom

**E Plating Finish**  
Extended lead-time and plating lot charges may apply to Special and Custom finishes.

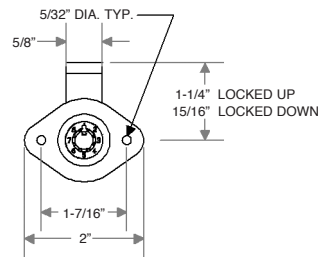
Special Finish	<b>PN</b>	Polished Nickel
	<b>SN</b>	Satin Nickel
	<b>PB</b>	Polished Brass
	<b>SB</b>	Satin Brass
	<b>BL</b>	Matte Black
	<b>ST</b>	Statuary Bronze
<b>CF</b>	Custom Finish	

**F Key Retaining**  
**N** No  
**Y** Yes

**Note:** Keys are not included with this lock. See page K12 to order keys.

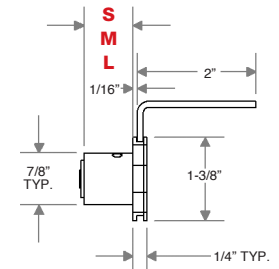
Throw (distance bolt travels from the locked to unlocked position) is 5/16".

#### FRONT MOUNT - FRONT VIEW

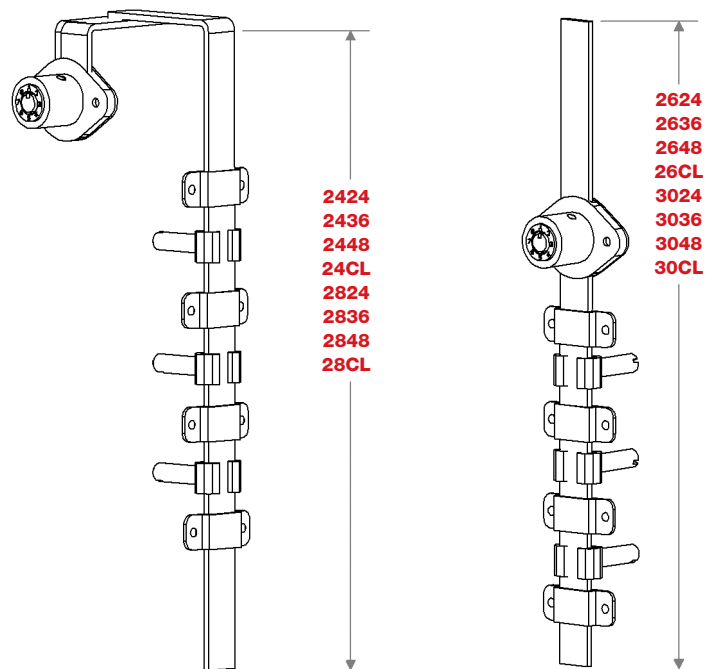


FRONT MOUNT (Shown with a Gang 3C Kit)

#### FRONT MOUNT - SIDE VIEW

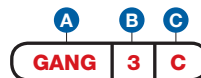


SIDE MOUNT (Shown with a Gang 3C Kit)



### Gang Lock Packages

To determine your item number enter the **RED** option code for each section as in the example below.



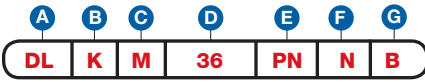
**GANG 3C** A kit with three adjustable stops, three 1-1/8" pins, three lock washers, and four closed bar guides.

**A Package**  
**GANG**

**B Number of Drawers**  
**2**  
**3**  
**4**

**C Pin Length**  
**A** 5/8"  
**B** 3/4"  
**C** 1-1/8"  
**D** 1-7/8"

**Item Number**

 To determine your item number enter the **RED** option code for each section as in the example below.

**A Lock Style**
**DL** Drawer/Door Lock

**B Core Type**
**K** Keymatic

**C Housing Length**

<b>S</b>	13/16"
<b>M</b>	1-1/16"
<b>L</b>	1-3/16"

**D Bolt Type**

<b>SNAP BOLT</b>	
<b>36</b>	3/4"

**E Plating Finish**

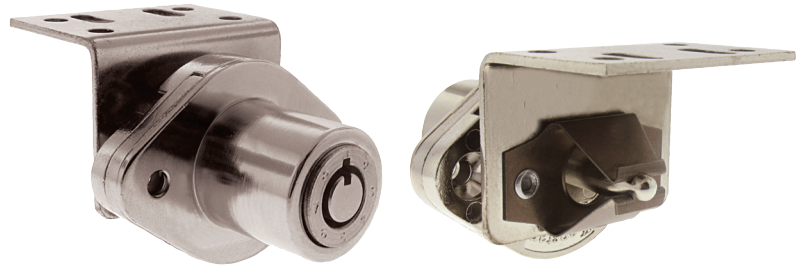
 Extended lead-time and plating lot charges **may** apply to Special and Custom finishes.

Special Finish	<b>PN</b>	Polished Nickel
	<b>SN</b>	Satin Nickel
	<b>PB</b>	Polished Brass
	<b>SB</b>	Satin Brass
	<b>BL</b>	Matte Black
	<b>ST</b>	Statuary Bronze
	<b>CF</b>	Custom Finish

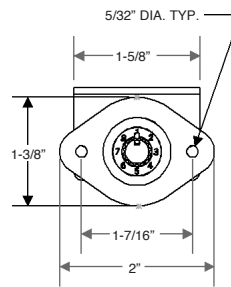
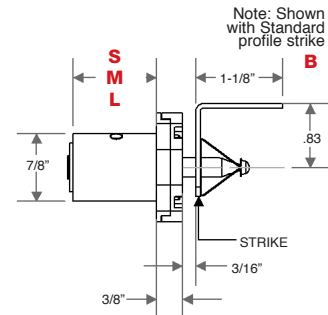
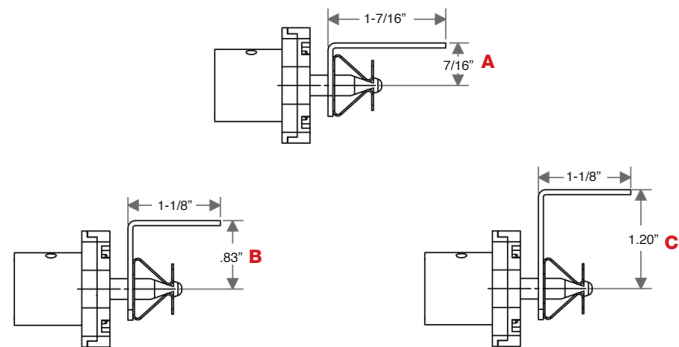
**F Key Retaining**
**N** No

**G Strike Profile**

<b>A</b>	Low
<b>B</b>	Standard
<b>C</b>	Large

**Note:** Keys are not included with this lock. See page K12 to order keys.


All dimensions shown are in the locked position.

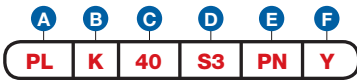
**D SNAP BOLT**

**C HOUSING LENGTH**

**H STRIKE PROFILE (SHOWN WITH STANDARD HOUSING)**




## Data Sheet

### Item Number

To determine your item number enter the **RED** option code for each section as in the example below.



**A Lock Style**  
**PL** Plunger Lock

**B Core Type**  
**K** Keymatic

**C Housing Style**  
**40** Oval Flange

### D Plunger Type/Length

#### S SERIES

**S1** 3/8"  
**S2** 7/16"  
**S3** 5/8"

#### T SERIES

**T1** 1/4"  
**T3** 9/16"

#### ROUND SERIES

**R1** 3/8"  
**R2** 7/16"  
**R3** 5/8"

#### ROUND EXTENDED SERIES

**R4** 1-3/16"  
**R5** 1-5/16"  
**R6** 1-11/16"  
**R7** 2-7/16"

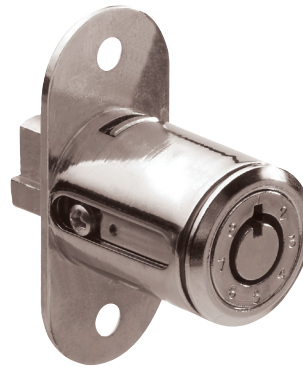
**E Plating Finish**  
 Extended lead-time and plating lot charges may apply to Special and Custom finishes.

Special Finish	<b>PN</b>	Polished Nickel
	<b>SN</b>	Satin Nickel
	<b>PB</b>	Polished Brass
	<b>SB</b>	Satin Brass
	<b>BL</b>	Matte Black
	<b>ST</b>	Statuary Bronze
	<b>CF</b>	Custom Finish

### F Key Retaining

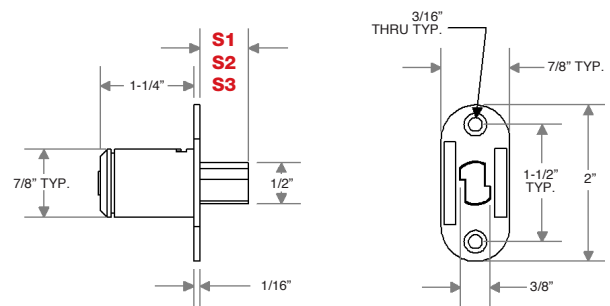
**N** No  
**Y** Yes

**Note:** Keys are not included with this lock. See page K12 to order keys.

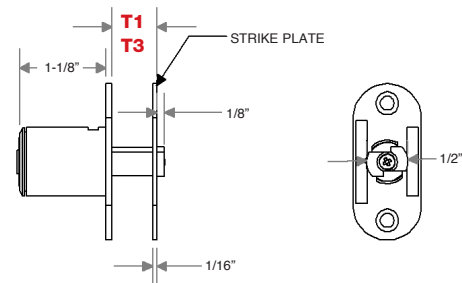


All dimensions shown are in the locked position.

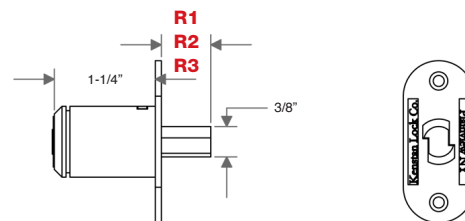
### D S SERIES



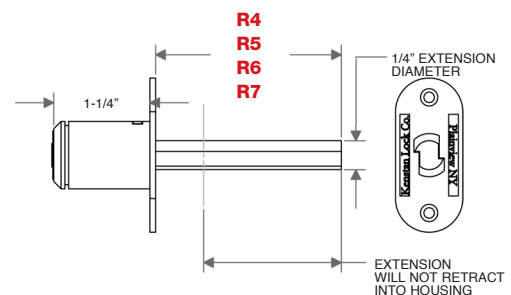
### D T SERIES



### D ROUND SERIES

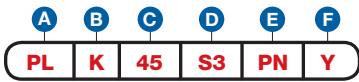


### D ROUND EXTENDED SERIES (Plunger travels 9/16")



**Item Number**

To determine your item number enter the **RED** option code for each section as in the example below.



**A Lock Style**  
**PL** Plunger Lock

**B Core Type**  
**K** Keymatic

**C Housing Style**  
**45** No Flange

**D Plunger Type/Length**

**S SERIES**

- S1** 3/8"
- S2** 7/16"
- S3** 5/8"

**T SERIES**

- T1** 1/4"
- T3** 9/16"

**ROUND SERIES**

- R1** 3/8"
- R2** 7/16"
- R3** 5/8"

**ROUND EXTENDED SERIES**

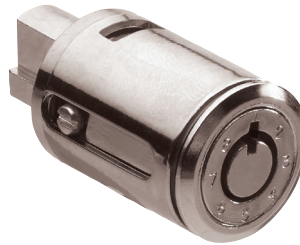
- R4** 1-3/16"
- R5** 1-5/16"
- R6** 1-11/16"
- R7** 2-7/16"

**E Plating Finish**  
Extended lead-time and plating lot charges may apply to Special and Custom finishes.

- |                |                           |
|----------------|---------------------------|
| Special Finish | <b>PN</b> Polished Nickel |
|                | <b>SN</b> Satin Nickel    |
|                | <b>PB</b> Polished Brass  |
|                | <b>SB</b> Satin Brass     |
|                | <b>BL</b> Matte Black     |
|                | <b>ST</b> Statuary Bronze |
|                | <b>CF</b> Custom Finish   |

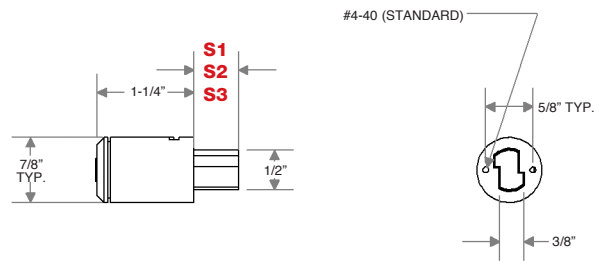
**F Key Retaining**  
**N** No  
**Y** Yes

**Note:** Keys are not included with this lock. See page K12 to order keys.

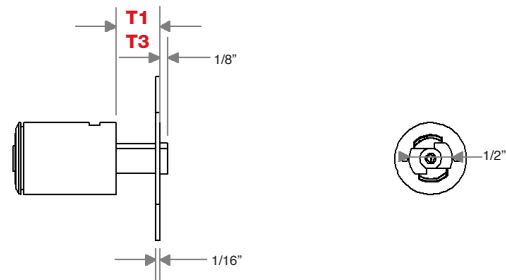


All dimensions shown are in the locked position.

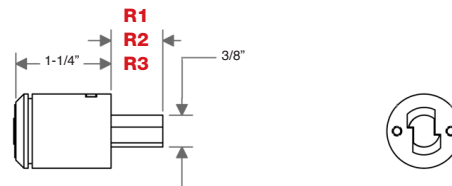
**D S SERIES**



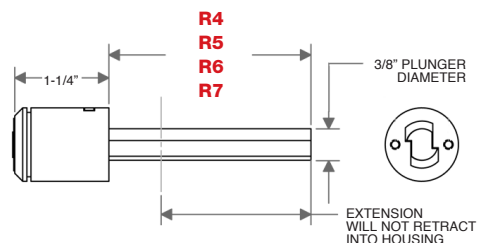
**D T SERIES**



**D ROUND SERIES**



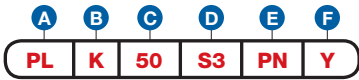
**D ROUND EXTENDED SERIES (Plunger travels 9/16")**



Data Sheet

**Item Number**

To determine your item number enter the **RED** option code for each section as in the example below.



**A Lock Style**  
**PL** Plunger Lock

**B Core Type**  
**K** Keymatic

**C Housing Style**  
**50** Round Flange

**D Plunger Type/Length**

**S SERIES**

- S1** 3/8"
- S2** 7/16"
- S3** 5/8"

**T SERIES**

- T1** 1/4"
- T3** 9/16"

**T SERIES**

- L3** 3/8"

**ROUND SERIES**

- R1** 3/8"
- R2** 7/16"
- R3** 5/8"

**ROUND EXTENDED SERIES**

- R4** 1-3/16"
- R5** 1-5/16"
- R6** 1-11/16"
- R7** 2-7/16"

**E Plating Finish**

Extended lead-time and plating lot charges may apply to Special and Custom finishes.

- PN** Polished Nickel
- SN** Satin Nickel
- PB** Polished Brass
- SB** Satin Brass
- BL** Matte Black
- ST** Statuary Bronze
- CF** Custom Finish

**F Key Retaining**

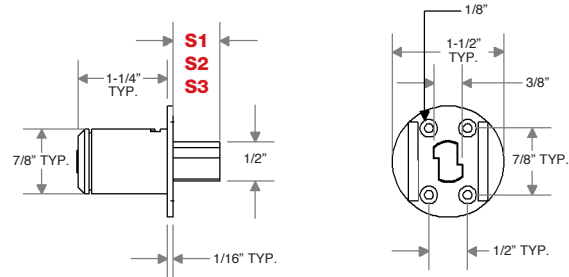
- N** No
- Y** Yes

**Note:** Keys are not included with this lock. See page K12 to order keys.

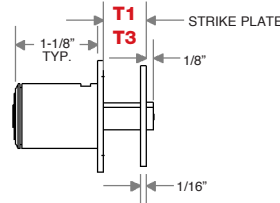


All dimensions shown are in the locked position.

**D S SERIES (Parts included same as Round Series)**

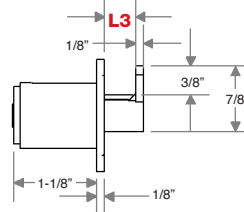


**D T SERIES**



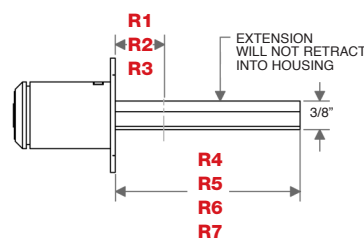
PARTS INCLUDED	QTY.
(a) DOUGHNUT	2
(b) J BRACKET (anti-rotation)	1
(c) PLASTIC WASHER	4
(d) PLASTIC SPACER	2
(e) SCREW	8
(f) STRIKE PLATE	1

**D L SERIES**



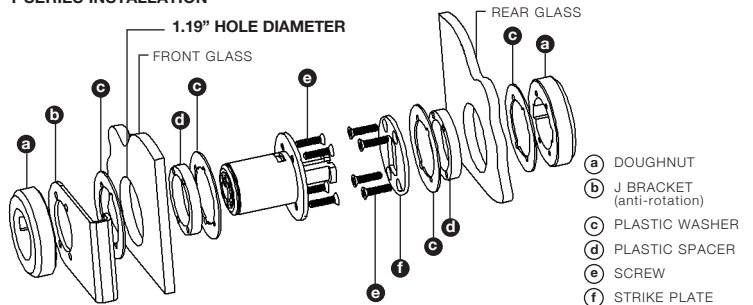
PARTS INCLUDED	QTY.
(a) DOUGHNUT	1
(b) J BRACKET (anti-rotation)	1
(c) PLASTIC WASHER	2
(d) PLASTIC SPACER	1
(e) SCREW	4

**D ROUND SERIES (Plunger travels 9/16")**



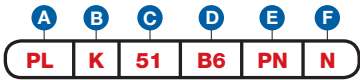
PARTS INCLUDED	QTY.
(a) DOUGHNUT	1
(c) PLASTIC WASHER	2
(d) PLASTIC SPACER	1
(e) SCREW	4

**T SERIES INSTALLATION**



**Item Number**

To determine your item number enter the **RED** option code for each section as in the example below.



**A Lock Style**

**PL** Plunger Lock

**B Core Type**

**K** Keymatic

**C Housing Style**

**51** Key Hole Lock

**D Material Thickness/Plunger**

	MATERIAL THICKNESS	PLUNGER LENGTH
<b>SHORT BACK 1.20</b>		
<b>B3</b>	1/4"	3/4" Std.
<b>B4</b>	3/8"	5/8"
<b>LONG BACK 2.08</b>		
<b>B6</b>	1/4"	1-1/2" Std.
<b>B7</b>	3/8"	1-3/8"
<b>B8</b>	7/8"	1-1/32"

**E Plating Finish**

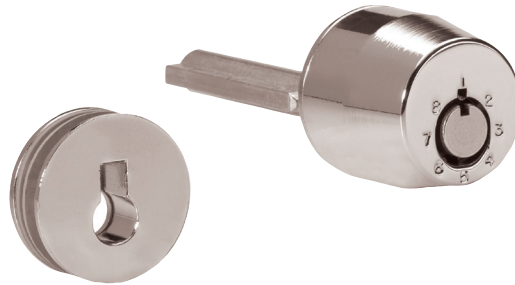
Extended lead-time and plating lot charges may apply to Special and Custom finishes.

Special Finish	Code	Finish
	<b>PN</b>	Polished Nickel
	<b>SN</b>	Satin Nickel
	<b>PB</b>	Polished Brass
	<b>SB</b>	Satin Brass
	<b>BL</b>	Matte Black
	<b>ST</b>	Statuary Bronze
	<b>CF</b>	Custom Finish

**F Key Retaining**

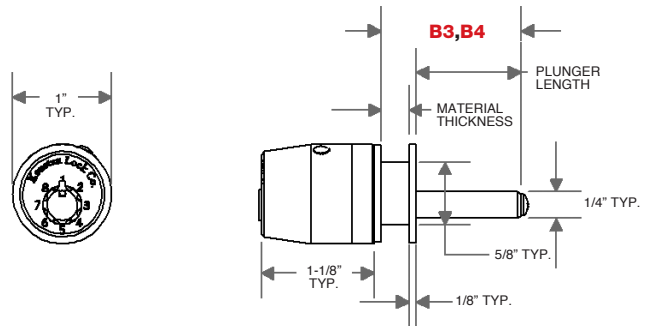
**N** No  
**Y** Yes

**Note:** Keys are not included with this lock. See page K12 to order keys.

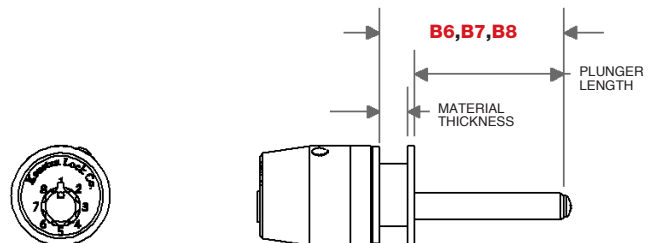


All dimensions shown are in the locked position.

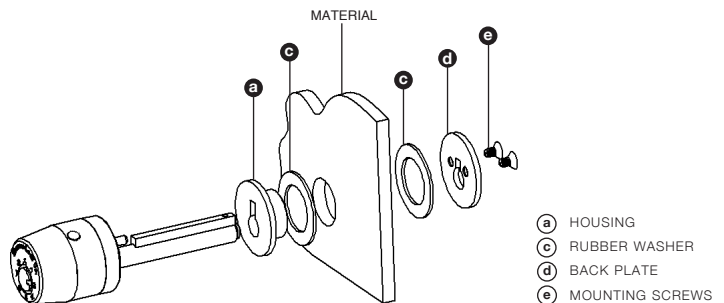
**D SHORT PLUNGER**



**D LONG PLUNGER**



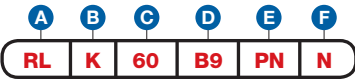
**KEY HOLE LOCK - EXPLODED VIEW**



## Data Sheet

### Item Number

To determine your item number enter the **RED** option code for each section as in the example below.



**A Lock Style**  
**RL** Ratchet Lock

**B Core Type**  
**K** Keymatic

**C Housing Style**  
**60** Ratchet

**D Bar Type**

- B1** Standard
- B2** Adjustable
- B5** Stick on Outer Surface
- Best Seller B9** Stick on Inner Surface

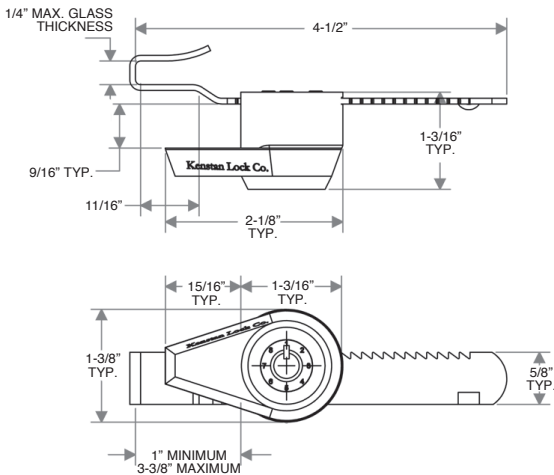
**E Plating Finish**  
Extended lead-time and plating lot charges **may** apply to Special and Custom finishes.

- PN** Polished Nickel
- SN** Satin Nickel
- CF** Custom Finish

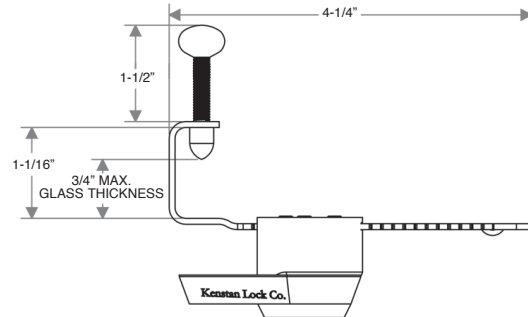
**F Key Retaining**  
**N** No

**Note:** Keys are not included with this lock. See page K12 to order keys.

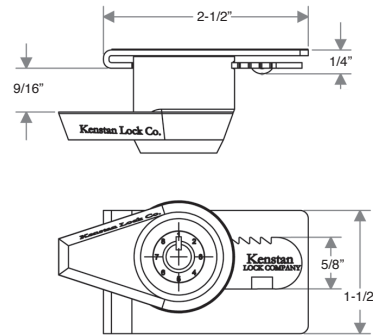
### D STANDARD BAR **B1**



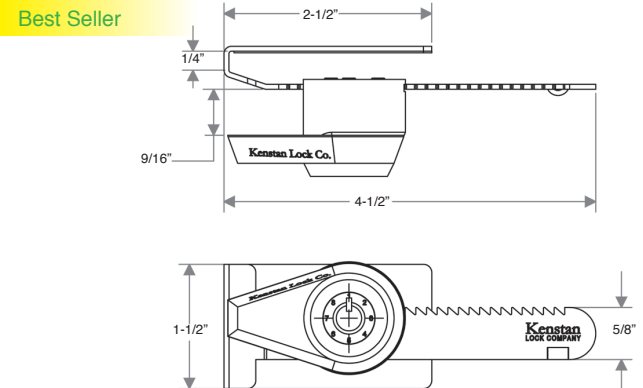
### D ADJUSTABLE BAR **B2**



### D STICK ON BAR (Outer Surface) **B5**



### D STICK ON BAR (Inner Surface) **B9**



## Keymatic Tubular Keys

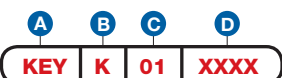
Keymatic locks utilize industry standard K137 tubular keys combined with **non-industry standard size cuts**. Standard tubular keys are cut on a machine using a .156 diameter size cutting blade; Kenstan uses a CNC milling machine and .093 size cutter to meet our tight tolerances and avoid cutting the key tip and degrading the key. A typical lock shop may be capable of producing a workable duplicate key, but the Kenstan warranty will be void if our Factory Original keys are not used with our locks. Use of unauthorized duplicates will inevitably cause the lock to become misaligned and possibly suffer irreversible damage.

Kenstan Original Keymatic operating keys and Change Tools can be ordered by referencing the stamp number on the keys. The first two letters represent a manufacturing date code and the next 3 or 4 numbers represent the Keymatic key code. The final dash and number from 1 to 8 represent the setting within the key code for operating keys only. All operating keys starting in late 2003 come standard with a colored key cover representing dash numbers 1 thru 8. The Change Tool does not have the final dash and number; the large red stop sign shaped cover notes the special purpose of changing the Keymatic lock setting only.

If keys have been lost or stolen, you can reference the Keymatic code number stamped on the lock housings, cams or bolts.

### Item Number

To determine your item number enter the **RED** option code for each section as in the example below.



**A** Item  
**KEY** Key

**B** Core Type  
**K** Keymatic

**C** Operating Key/Change Tool

<b>01</b>	Orange
<b>02</b>	Blue
<b>03</b>	Yellow
<b>04</b>	Green
<b>05</b>	White
<b>06</b>	Pink
<b>07</b>	Purple
<b>08</b>	Tan
<b>TOOL</b>	Red Change Tool

**D** Key Code

<b>XXXX</b>	Specific Up to 4 digits
<b>A</b>	Any Kenstan assigns

# 01 (Orange)



OPERATING KEY # 02 (Blue)



OPERATING KEY # 03 (Yellow)



OPERATING KEY # 04 (Green)



OPERATING KEY # 05 (White)



OPERATING KEY # 06 (Pink)



OPERATING KEY # 07 (Purple)



OPERATING KEY # 08 (Tan)



RED CHANGE TOOL **TOOL**



- 1. Pricing:** Kenstan Lock reserves the right to institute price adjustments based upon fluctuation of material costs without prior notice. Orders, or balances of orders, that have not shipped within 6 months from the original order date may be subject to a price review.
- 2. Payment Terms:** Payment must be made at time of purchase, unless otherwise approved by Kenstan with terms of Net 30 Days from the date of the invoice. A service charge of 1.5% per month will be charged on overdue accounts.
- 3. Shipping:** Please be sure to specify your preferred shipping method on every order. For all orders received without shipping instructions, Kenstan will use our discretion to make carrier selection based upon the most economical method of shipment available to meet your required in house date. Kenstan is not responsible for risk of loss or damage to products in transit with the selected carrier.
- 4. Deliveries:** At Kenstan, we assemble every lock to order and strive to meet your requested in-house date. Our standard lead time is to ship within two weeks from the receipt of your order. Rush orders and emergency services are available. Unless specifically prohibited in writing by the purchaser, Kenstan reserves the right to make partial shipments of any order.
- 5. Inspection:** Kenstan Lock inspects all products in accordance with our standard quality control procedures. Upon receipt and inspection by the purchaser, any parts proven to be defective or not as ordered may be returned to Kenstan for repair or replacement following the conditions in the "Returned Goods" section (#6) below.
- 6. Returned Goods:** Product replacement or account credit for any returned goods will be made solely at the discretion of Kenstan and will only be accepted upon the issuance of a Return Authorization number from Kenstan's Customer Service Department. Merchandise proven to be defective, due to faulty material and/or workmanship, may be returned for full replacement or credit. Any product ordered incorrectly by the customer may be accepted for return and subject to a 50% handling charge. Locks made with special or out-of production parts are not returnable, unless prior arrangements have been made. Returned merchandise that is damaged in transit, due to inadequate return packaging, will not be accepted.
- 7. Warranty:** Kenstan Lock warrants, for a period of one year from delivery, that our products are free from defects in material and workmanship and makes no other warranties, expressed or implied, including but not limited to the degree of security or the purchaser's application or use of our product. Kenstan Lock Co. will not warranty any locks or parts that were modified outside of our factory. In the event of a product defect, Kenstan shall only be responsible to the extent of the cost of our product, and will not accept any claims for labor or loss of merchandise.
- 8. Cancellation:** If all or any part of an order is cancelled before the completion of the product assembly by Kenstan, the purchaser shall be responsible for payment of all assembled items as well as any special parts ordered for items remaining unassembled at the time of cancellation. If pricing on the original order was based upon Kenstan's quantity discount, a partial cancellation may affect the pricing on items already shipped and invoiced and a price adjustment will be made.
- 9. Catalog Dimensions and Sample Policy:** Please be aware that all lock and part drawing dimensions carry a tolerance of plus or minus 1/16" and are for reference only. Please contact us for actual dimensions. All specifications are subject to change without notice. Samples products are available upon request.