

Interchangeable Core Line of Locks



Introduction	$\frac{I}{1}$				
Cam Locks	$\frac{I}{2}$ $\frac{I}{3}$ $\frac{I}{4}$				
Drawer/Door Locks	$\frac{I}{5}$ $\frac{I}{6}$	 			
Gang Locks	$\frac{I}{7}$				
Snap Bolt Lock	$\frac{I}{8}$				
Plunger Lock	$\frac{I}{9}$ $\frac{I}{10}$ $\frac{I}{11}$	  			
Ratchet Lock	$\frac{I}{12}$				
Ratchet Lock	$\frac{I}{13}$				
Cores	$\frac{I}{14}$				
Keys	$\frac{I}{15}$				



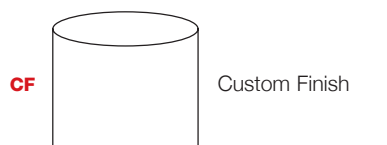
Standard Plating Finish

**BC** Brushed Chrome

* Special Plating Finishes

**PC** Polished Chrome**PB** Polished Brass**SB** Satin Brass**BL** Matte Black

* Custom Plating Finish

**CF** Custom Finish

* Extended lead-time and plating lot charges may apply to Special and Custom finishes. Please call Kenstan for details.

Interchangeable Core Line of Locks

Our **I** line offers excellent security in a variety of showcase locks and door hardware applications by using thousands of 6 and 7 Pin Tumbler key combinations.

Cores can be keyed alike, individually or in groups and can be master keyed in up to four levels for greater flexibility. Kenstan housings and cores are equivalent to Best Access locks and are therefore interchangeable among both company products.

Delivery

At Kenstan, we assemble every lock to order and strive to meet your requested in-house date. Our standard lead time is to ship within two weeks from the receipt of your order. Rush orders and emergency services are available.

Plating

The **I** line standard plating finish for housings and cores is Brushed Chrome.

A wide range of special plating finishes is also available, including Polished Chrome, Polished Brass, Matte Black, Statuary Bronze, Satin Brass and Custom Finishes to match your showcase hardware.

Please note: Extended lead-time and plating lot charges may apply to Special and Custom finishes. Please call Kenstan for details.

Handing

Handing means the orientation of the key relative to the bolt movement. We can almost always orient the lock so the key is inserted vertically.

- **Right Handing** means the door hinges on the right side and locks on the left.
- **Left Handing** means the door hinges on the left side and locks on the right.
- **Vertical Handing** means the drawer is locked at the top.
- **Inverted Handing** means the drawer is locked at the bottom.

Key Control

Kenstan can register your keys and maintain your key plans by store, retail department, showcase/cabinets, or office and we maintain a historical database of key numbers. Keys should be secured when not in use.

Key Retaining vs. Non-Key Retaining Lock Function

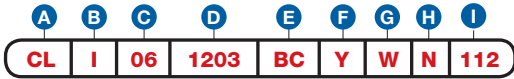
The **I** line standard operation is a non-key retaining function (non-captive). The operating key can be removed in both the locked and unlocked position.

For higher security, we recommend the key retaining (captive) function, which ensures that the key can be removed only in the locked position and prevents the lock from being accidentally left in the open or unlocked position.

Designer note: For true captive operation, the use of our captive key locks must be coordinated with sliding door showcase design. The use of non by-passing sliding doors is recommended to restrict door movement and ensure key removal only when the doors are in the secure position.

Item Number

To determine your item number enter the **RED** option code for each section as in the example below.



A Lock Style

CL Cam Lock

B Core Type*

I I.C. Core

C Housing Length

06 1-5/8"

D Cam Rotation

	LOCKED	OPEN
0312	3	12
0306	3	6
0309	3	9
0612	6	12
0603	6	3
0609	6	9
0912	9	12
0903	9	3
0906	9	6
1203	12	3
1206	12	6
1209	12	9

E Plating Finish

Extended lead-time and plating lot charges **may** apply to Special and Custom finishes.

Special Finish	Code	Description
	BC	Brushed Chrome
	PC	Polished Chrome
	PB	Polished Brass
	SB	Satin Brass
	BL	Matte Black
	CF	Custom Finish

F Key Retaining

N No
Y Yes

G Material Installation

W Wood
M Metal
GR Glass W/ Round Hole
GD Glass W/ DD Hole

H Actuator

N No
Y Yes

*Cores are not included with this lock.
See page I14 to order cores.



Patent U.S. 8,028,555 B2

Note: This Lock comes with a 2" Straight Cam unless a different Cam is chosen.

I Cam Type

STRAIGHT

102 3/4"
103 7/8"
104 1"
105 1-1/8"
106 1-1/4"
107 1-3/8"
108 1-1/2"
110 1-3/4"
112 2"
116 2-1/2"

HOOK

202 3/4"
204 1"
206 1-1/4"
208 1-1/2"
210 1-3/4"

3/8" OFFSET

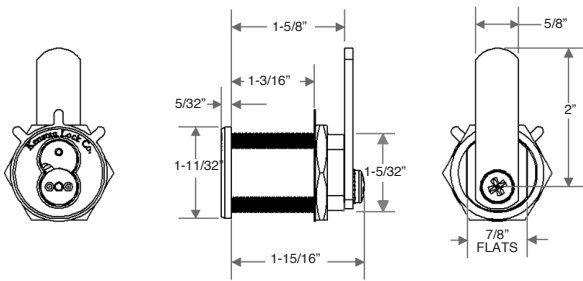
511 1-7/8" (AI06CAM511)

CUSTOM CAM

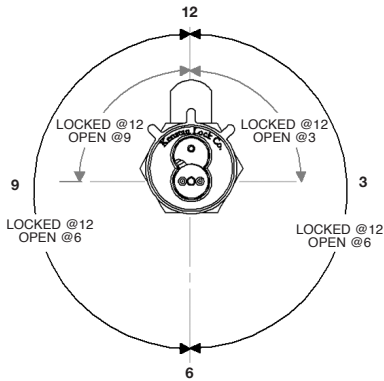
CL

Continued

C HOUSING LENGTH 06

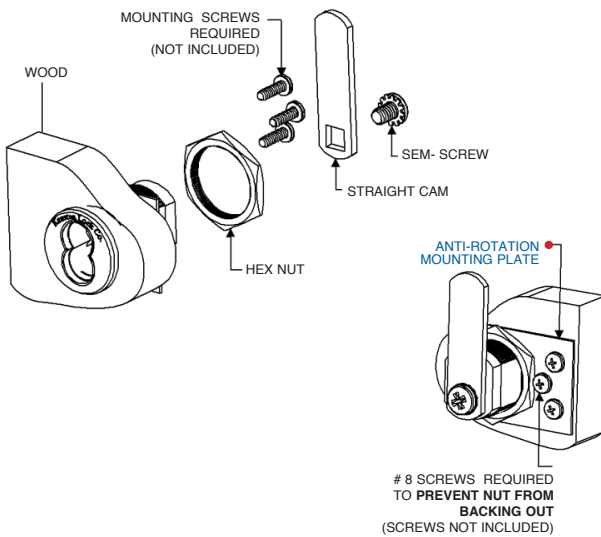


D CAN ROTATION (Front of lock shown)

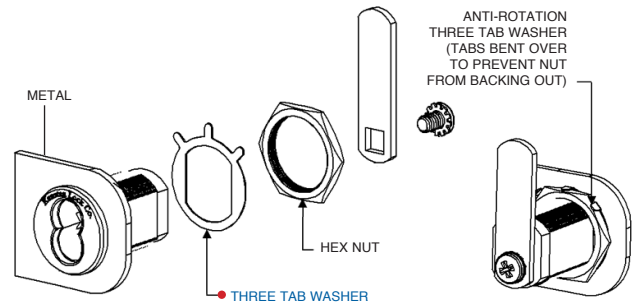


*All 180 degree rotations are clockwise, unless specified.

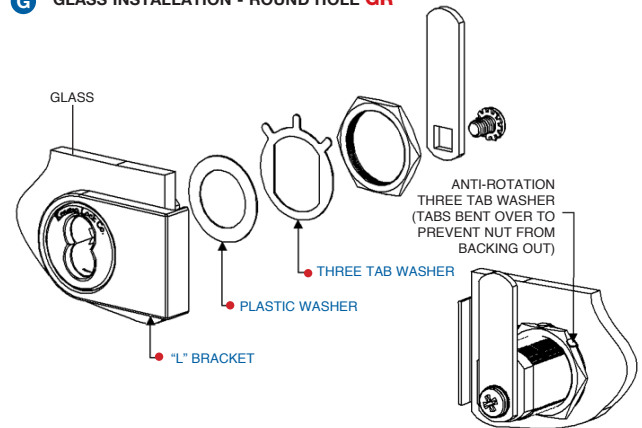
G WOOD INSTALLATION W



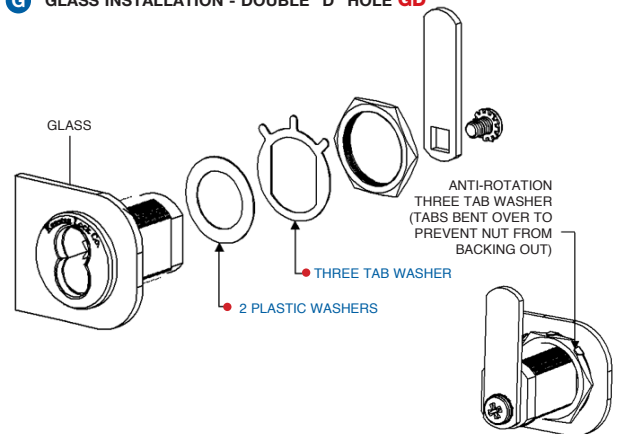
G METAL INSTALLATION M (A double "D" shape hole is required)



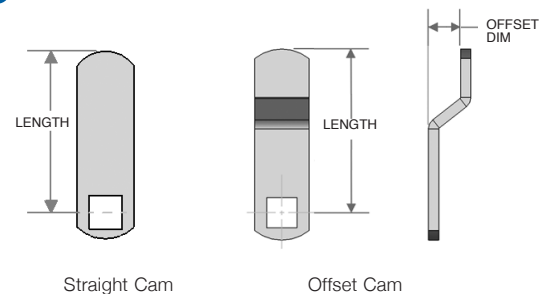
G GLASS INSTALLATION - ROUND HOLE GR



G GLASS INSTALLATION - DOUBLE "D" HOLE GD



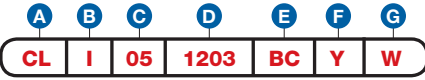
H CAM TYPE



Note: All cams are reversible.

Item Number

To determine your item number enter the **RED** option code for each section as in the example below.



A Lock Style

CL Cam Lock

B Core Type*

I I.C. Core

C Housing Length

05 1-7/16"

D Cam Rotation

	LOCKED	OPEN
0312	3	12
0306	3	6
0603	6	3
0609	6	9
0912	9	12
0906	9	6
1203	12	3
1209	12	9

E Plating Finish

Extended lead-time and plating lot charges **may** apply to Special and Custom finishes.

Special Finish	Code	Description
	BC	Brushed Chrome
	PC	Polished Chrome
	PB	Polished Brass
	SB	Satin Brass
	BL	Matte Black
	CF	Custom Finish

F Key Retaining

N No
Y Yes

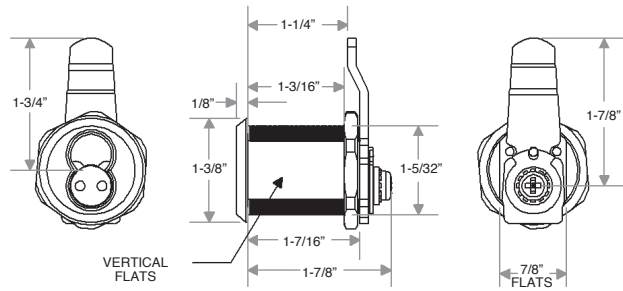
G Material Installation

W	Wood
M	Metal
GR	Glass W/ Round Hole
GD	Glass W/ DD Hole

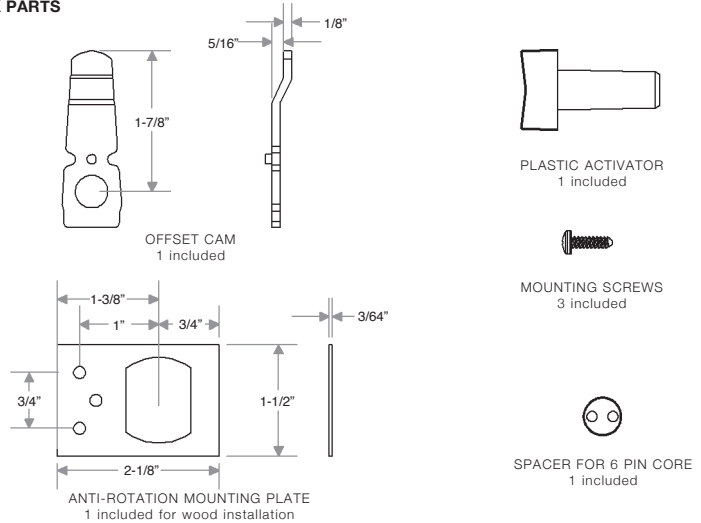
*Cores are not included with this lock.
See page I14 to order cores.



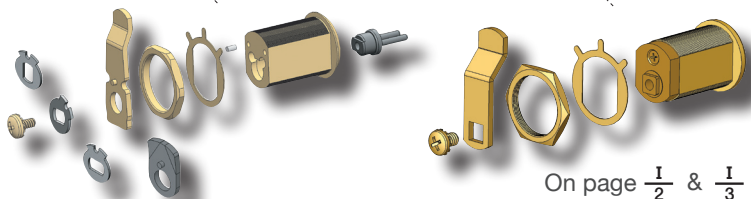
C HOUSING LENGTH 05



LOCK PARTS



CLI05 Old Design vs CLI06 New Design



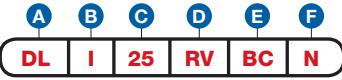
On page $\frac{I}{2}$ & $\frac{I}{3}$

- You assemble and install
- Less options and complicated to install
- We assemble and you install
- More options and easy to install

Data Sheet

Item Number

To determine your item number enter the **RED** option code for each section as in the example below.



A Lock Style

DL Drawer/Door Lock

B Core Type*

I I.C. Core

C Housing Length/Bolt Type

1-1/4" HOUSING LENGTH (STD.)

25 Dead Bolt

1-3/8" EXTRA LONG HOUSING

New **L25*** Dead Bolt

*Brush Chrome finish only

D Housing Style

RIM SERIES

RR Right

RL Left

RI Inverted

RV Vertical

E Plating Finish

Extended lead-time and plating lot charges may apply to Special and Custom finishes.

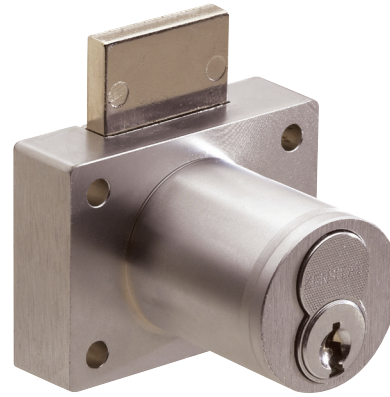
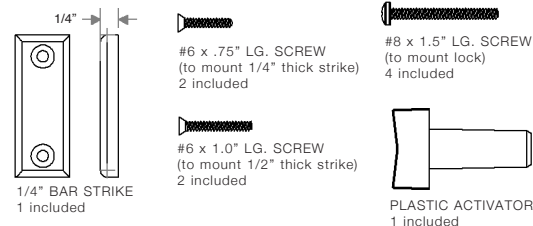
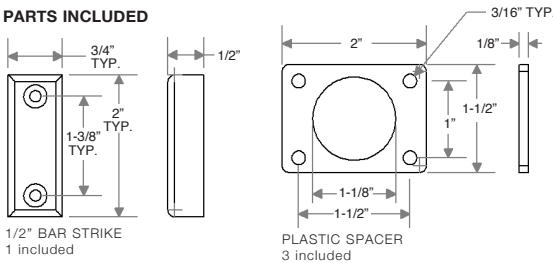
BC Brushed Chrome
PC Polished Chrome
PB Polished Brass
BL Matte Black
CF Custom Finish

F Key Retaining

N No
Y Yes

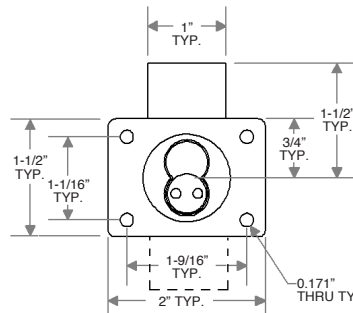
*Cores are not included with this lock. See page I14 to order cores.

PARTS INCLUDED

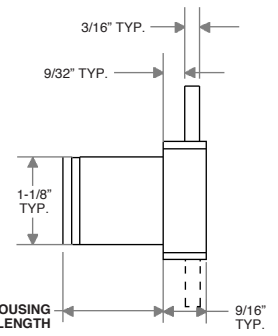


"Throw" (distance bolt travels from the locked to unlocked position) is 3/4". All dimensions shown are in the locked position.

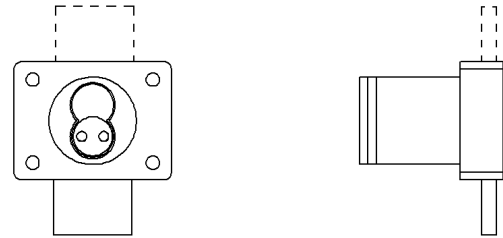
D VERTICAL



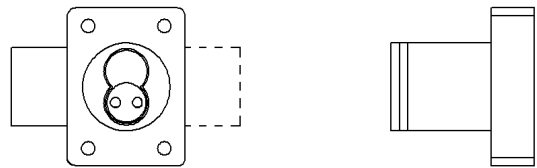
C HOUSING LENGTH



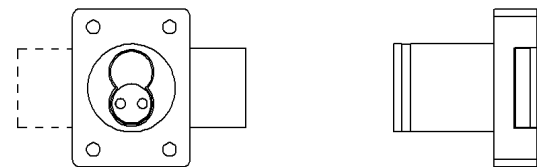
D INVERTED



D RIGHT

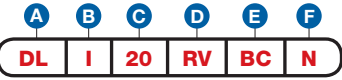


D LEFT



Item Number

To determine your item number enter the **RED** option code for each section as in the example below.



A Lock Style

DL Drawer/Door Lock

B Core Type*

I I.C. Core

C Housing Length/Bolt Type

- 1-1/16" HOUSING LENGTH (STD.)
 - 20** Straight Dead Bolt
 - 32** Spring
 - 33** Reverse Spring
 - 1-3/8" EXTRA LONG HOUSING
 - L20*** Straight Dead Bolt
 - L32*** Spring
 - L33*** Reverse Spring
- *Brush Chrome finish only

D Housing Style

- RIM SERIES**
- RR** Right
 - RL** Left
 - RI** Inverted*
 - RV** Vertical
- MORTISE SERIES**
- MR** Right
 - ML** Left
 - MI** Inverted*
 - MV** Vertical

E Plating Finish

Extended lead-time and plating lot charges may apply to Special and Custom finishes.

- | | | |
|----------------|-----------|-----------------|
| Special Finish | BC | Brushed Chrome |
| | PC | Polished Chrome |
| | PB | Polished Brass |
| | SB | Satin Brass |
| | BL | Matte Black |
| | CF | Custom Finish |

F Key Retaining

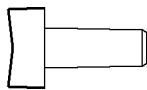
*Option available only on Straight Dead Bolt model.

- N** No
- Y*** Yes

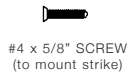
*Cores are not included with this lock. See page I14 to order cores.

*Inverted Straight Dead Bolts are Non Key Retaining only.

PARTS INCLUDED



PLASTIC ACTIVATOR
1 included

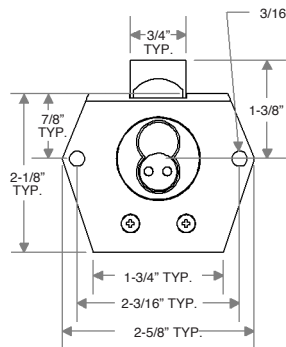


#4 x 5/8" SCREW
(to mount strike)

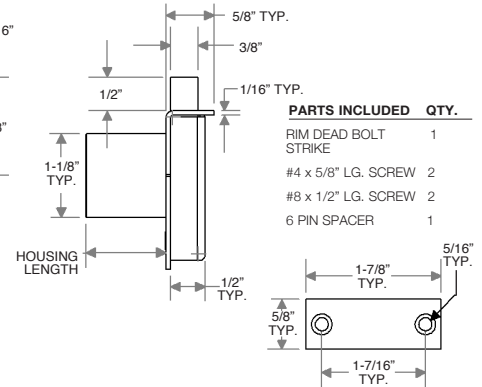


"Throw" (distance bolt travels from the locked to unlocked position) is 1/2". All dimensions shown are in the locked position.

D RIM MOUNT VERTICAL DEAD BOLT

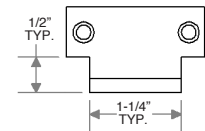
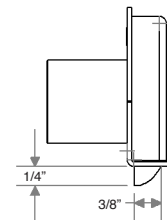
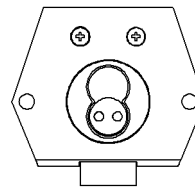


C HOUSING LENGTH



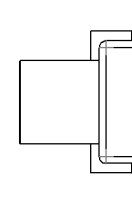
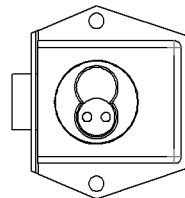
PARTS INCLUDED	QTY.
RIM DEAD BOLT STRIKE	1
#4 x 5/8" LG. SCREW	2
#8 x 1/2" LG. SCREW	2
6 PIN SPACER	1

D RIM MOUNT INVERTED SPRING BOLT



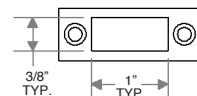
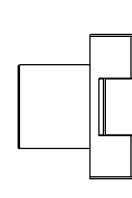
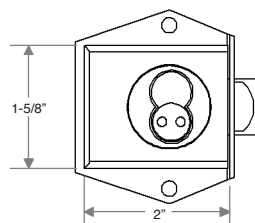
PARTS INCLUDED	QTY.
RIM SPRING BOLT STRIKE	1
#4 x 5/8" LG. SCREW	2
#8 x 1/2" LG. SCREW	2
6 PIN SPACER	1

D MORTISE MOUNT RIGHT SPRING BOLT



PARTS INCLUDED	QTY.
MORTISE SPRING BOLT STRIKE	1
#4 x 5/8" LG. SCREW	2
#8 x 1/2" LG. SCREW	2
6 PIN SPACER	1

D MORTISE MOUNT LEFT DEAD BOLT

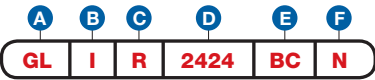


PARTS INCLUDED	QTY.
MORTISE DEAD BOLT STRIKE	1
#4 x 5/8" LG. SCREW	2
#8 x 1/2" LG. SCREW	2
6 PIN SPACER	1

Data Sheet

Item Number

To determine your item number enter the **RED** option code for each section as in the example below.



A Lock Style
GL Gang Lock

B Core Type*
I I.C. Core

C Housing Style
R Rim Series
M Mortise Series

D Mount Style/Bar Length

Notch for Pin must be on Bottom of Drawer	FRONT MOUNT LOCKED UP	
	2424	24"
	2436	36"
	2448	48"
	24CL	Custom
	24NO	No Bar
Notch for Pin must be on Top of Drawer	SIDE MOUNT LOCKED UP	
	2624	24"
	2636	36"
	2648	48"
	26CL	Custom
FRONT MOUNT LOCKED DOWN		
2824	24"	
2836	36"	
2848	48"	
28CL	Custom	
28NO	No Bar	
SIDE MOUNT LOCKED DOWN		
3024	24"	
3036	36"	
3048	48"	
30CL	Custom	

E Plating Finish
Extended lead-time and plating lot charges **may** apply to Special and Custom finishes.

Special Finish

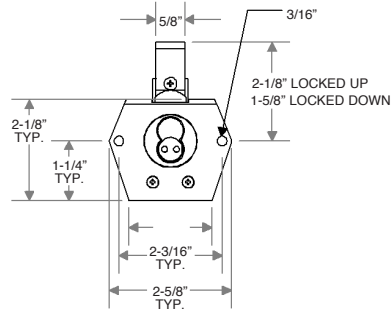
BC	Brushed Chrome
PC	Polished Chrome
PB	Polished Brass
SB	Satin Brass
BL	Matte Black
CF	Custom Finish

F Key Retaining
Y Yes

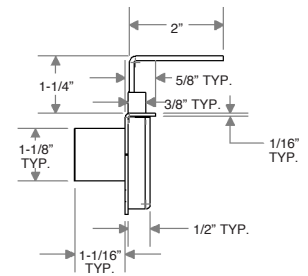
*Cores are not included with this lock. See page I14 to order cores.

"Throw" (distance bolt travels from the locked to unlocked position) is 1/2".

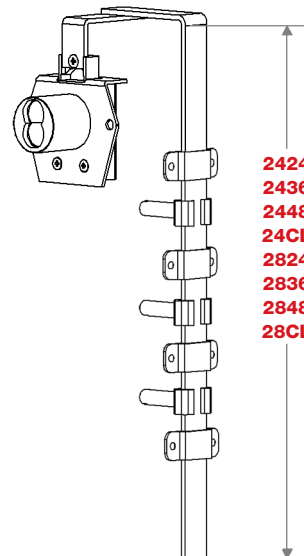
FRONT MOUNT - FRONT VIEW



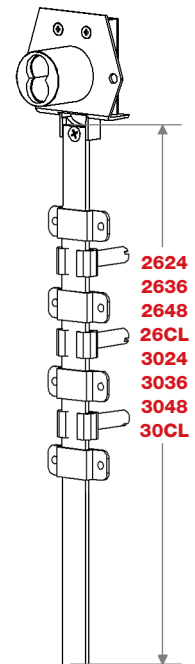
FRONT MOUNT - SIDE VIEW



FRONT MOUNT (Shown with a Gang 3C Kit)



SIDE MOUNT (Shown with a Gang 3C Kit)



Gang Lock Packages

To determine your item number enter the **RED** option code for each section as in the example below.

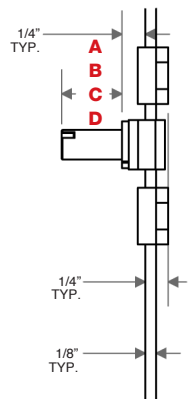


GANG 3C A kit with three adjustable stops, three 1-1/8" pins, three lock washers, and four closed bar guides.

A Package
GANG

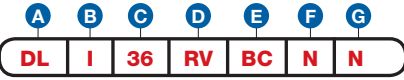
B Number of Drawers
2
3
4

C Pin Length
A 5/8"
B 3/4"
C 1-1/8"
D 1-7/8"



Item Number

To determine your item number enter the **RED** option code for each section as in the example below.

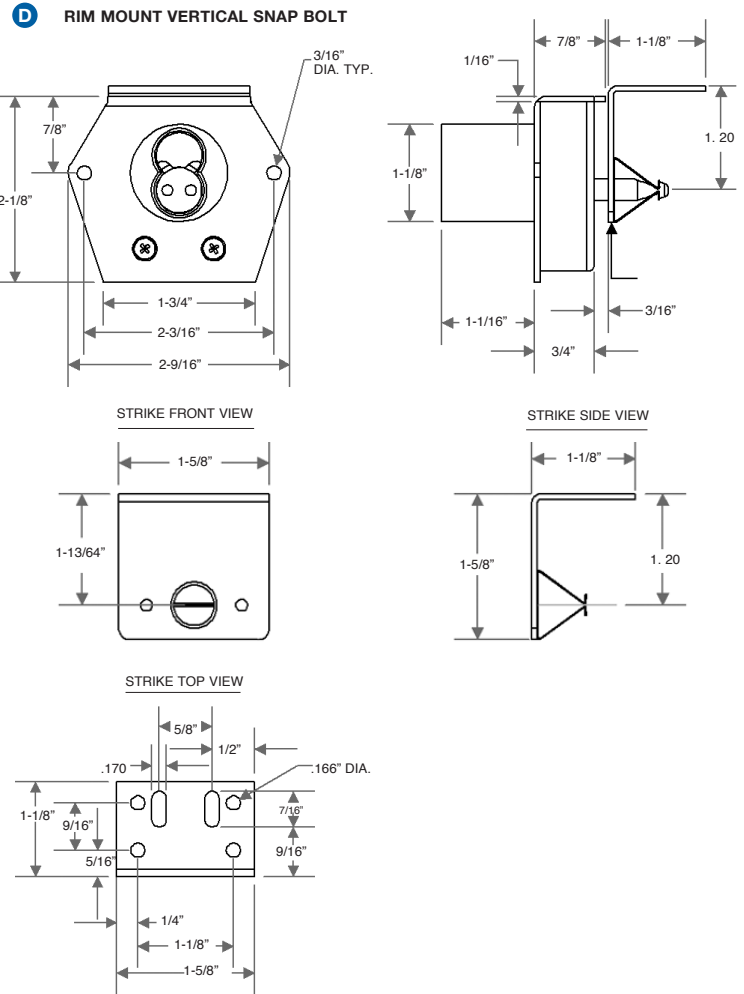


- A Lock Style**
DL Drawer/Door Lock
- B Core Type***
I I.C. Core
- C Bolt Type**
36 Snap Bolt
- D Housing Style**
RIM SERIES
RV Vertical
- E Plating Finish**
Extended lead-time and plating lot charges may apply to Special and Custom finishes.
Special Finish: **BC** Brushed Chrome, **PC** Polished Chrome, **PB** Polished Brass, **SB** Satin Brass, **BL** Matte Black, **CF** Custom Finish
- F Key Retaining**
N No
- G Actuator**
N No, **Y** Yes

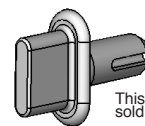
*Cores are not included with this lock. See page I14 to order cores.



All dimensions shown are in the locked position.



G ACTUATOR (Used to test lock and align prong driver)

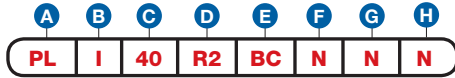


This part is also sold separately.

Data Sheet

Item Number

To determine your item number enter the **RED** option code for each section as in the example below.



- A Lock Style**
PL Plunger Lock

- B Core Type***
I I.C. Core

- C Housing Style**
40 Oval Flange

- D Plunger Type/Length**
ROUND
R2 1/2"
T SERIES
T1 1/4"

- E Plating Finish**
 Extended lead-time and plating lot charges **may** apply to Special and Custom finishes.
 Special Finish
BC Brushed Chrome
PB Polished Brass
SB Satin Brass
CF Custom Finish

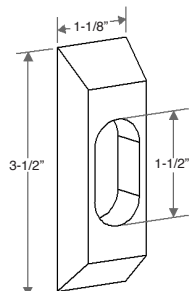
- F Key Retaining**
N No
Y Yes

- G Through Bolt Mount Kit**
N No
YP Mounting Post Kit
YS Support Plate Small

- G Actuator**
N No
Y Yes

*Cores are not included with this lock. See page I14 to order cores.

SMALL SUPPORT PLATE YS

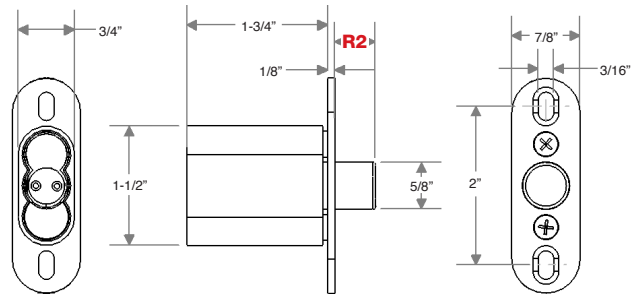


Screws are included

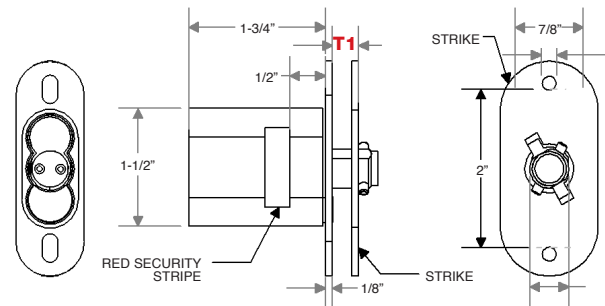


All dimensions shown are in the locked position.

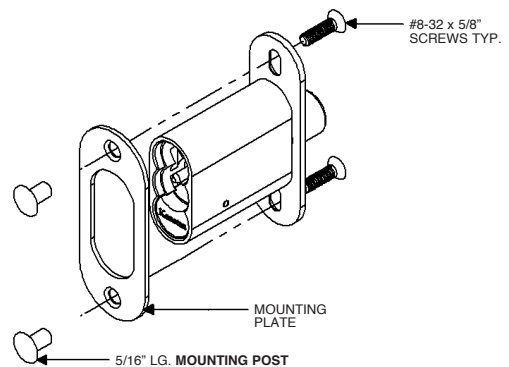
D ROUND SERIES (Plunger travels 1/2")



D T SERIES



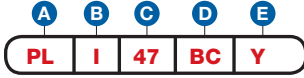
PLI40R2BCNYP - EXPLODED VIEW WITH YP MOUNTING KIT



Note: Through Bolt Mount Kit is for 3/4" maximum material thickness.

Item Number

To determine your item number enter the **RED** option code for each section as in the example below.



A Lock Style

PL Plunger Lock

B Core Type*

I I.C. Core

C Housing Style

Used with 50B7 Alpha and Standard Core.

47 Track Mount

D Plating Finish

Extended lead-time and plating lot charges **may** apply to Special and Custom finishes.

Special Finish	BC	Brushed Chrome
	PC	Polished Chrome
	PB	Polished Brass
	SB	Satin Brass
	BL	Matte Black
	CF	Custom Finish

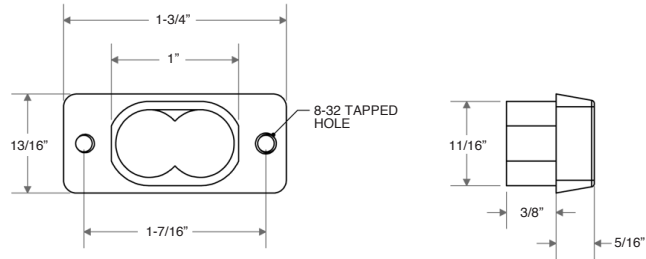
E Track Spacer

N No
Y Yes

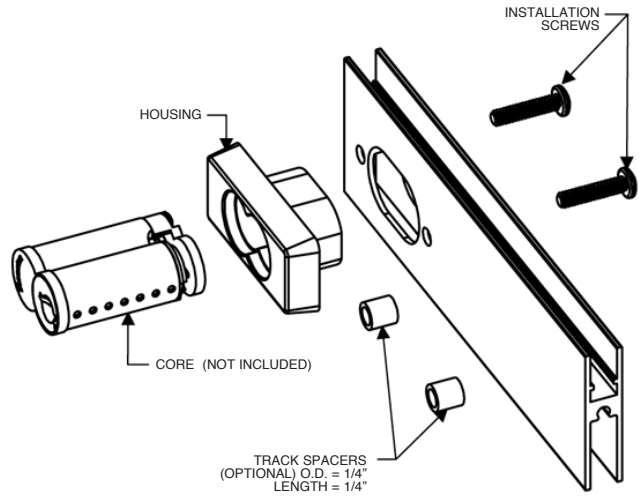
*Cores are not included with this lock.
See page I14 to order or view cores.



TRACK MOUNT (Plunger travels 1/2")



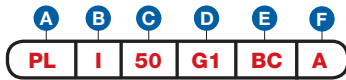
EXPLODED VIEW



Data Sheet

Item Number

To determine your item number enter the **RED** option code for each section as in the example below.



A Lock Style
PL Plunger Lock

B Core Type*
I I.C. Core

C Housing Style
50 Round

D Material Installation Kit
USED WITH 50A7 ALPHA CORE
G1 Glass
M1 Metal
W1 Wood

USED WITH 50B7 ALPHA CORE
G2 Glass
M2 Metal
W2 Wood

STANDARD CORE
G3 Glass
M3 Metal
W3 Wood

E Plating Finish
Extended lead-time and plating lot charges may apply to Special and Custom finishes.

Special Finish	BC	Brushed Chrome
	PC	Polished Chrome
	PB	Polished Brass
	SB	Satin Brass
	BL	Matte Black
	CF	Custom Finish

F Material Thickness

	MINIMUM	MAXIMUM
A	1/4"	3/8"
B	3/8"	1/2"
C	3/4"	7/8"
CL	Custom	

*Cores are not included with this lock.
See page I14 to order or view cores.

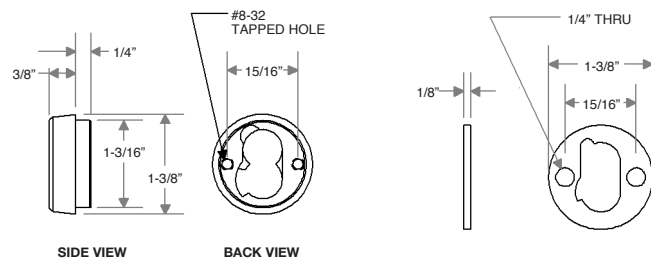


Patented

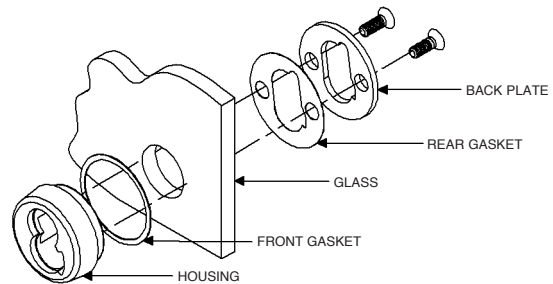
KENSTAN ALPHA CORE HOUSING SHOWN

BACK PLATE

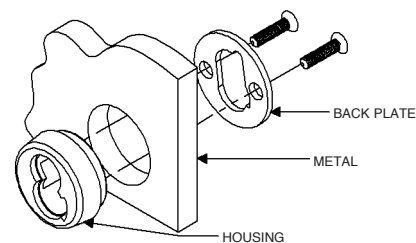
Note: Material thickness can be changed by using an "O" ring or changing the screw length.
See Accessories page A8 to order.



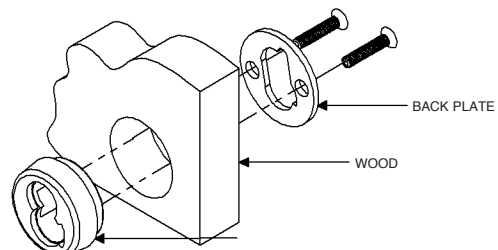
GLASS INSTALLATION



METAL INSTALLATION

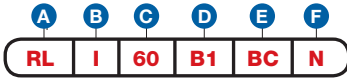


WOOD INSTALLATION



Item Number

To determine your item number enter the **RED** option code for each section as in the example below.



A Lock Style
RL Ratchet Lock

B Core Type*
I I.C. Core

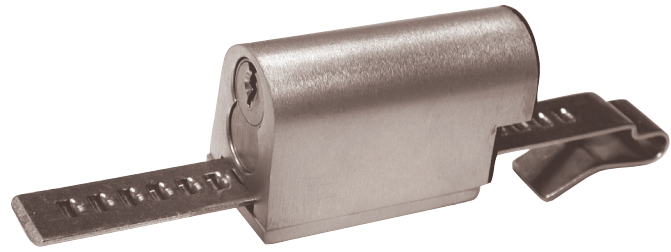
C Housing Style
60 Ratchet

D Bar Type
B1 Standard
B2 Adjustable

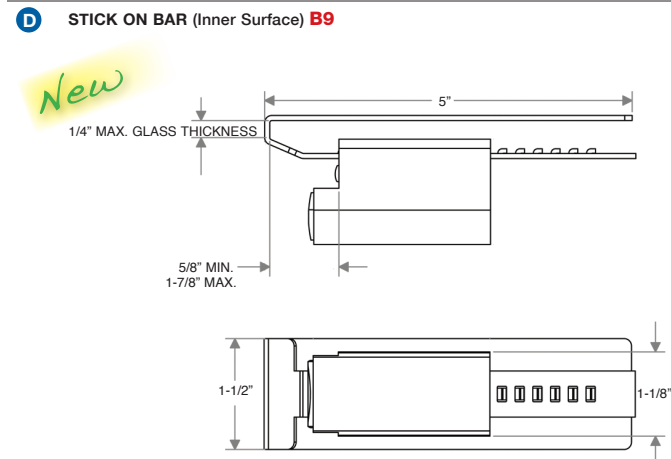
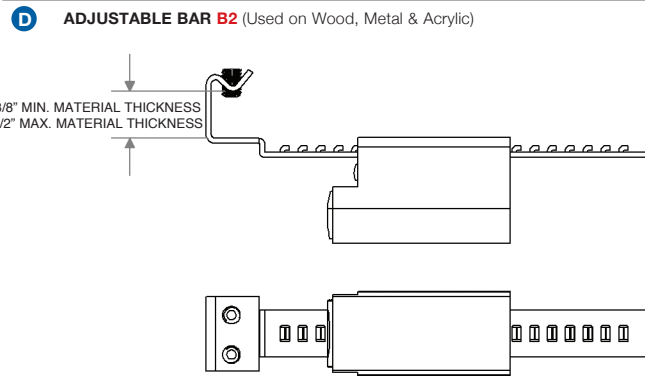
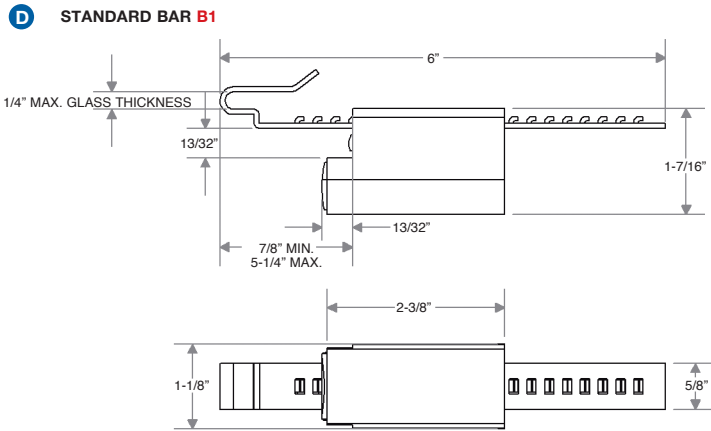
E Plating Finish
BC Brushed Chrome
CF Custom Finish

F Key Retaining
N No

*Cores are not included with this lock. See page I14 to order cores.



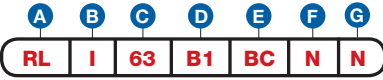
Key is inserted from the side.



Data Sheet

Item Number

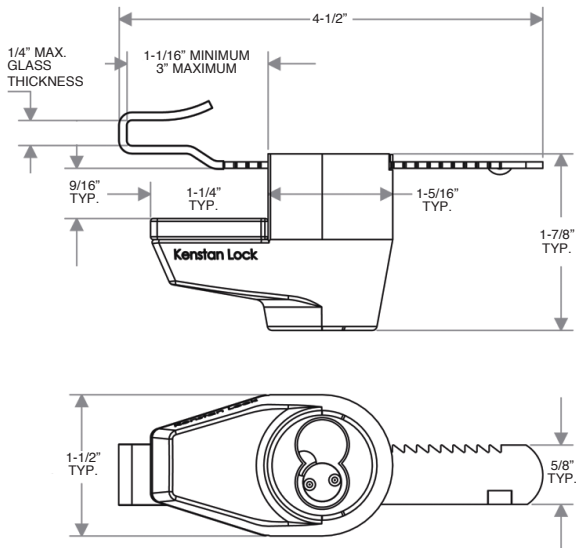
To determine your item number enter the **RED** option code for each section as in the example below.



A	Lock Style	RL	Ratchet Lock
B	Core Type*	I	I.C. Core
C	Housing Style	63	Ratchet
D	Bar Type	B1	Standard
		B2	Adjustable
		B9	Stick on Inner Surface
E	Plating Finish	BC	Brushed Chrome
		CF	Custom Finish
F	Key Retaining	N	No
		Y	Yes (More Secure)
G	Actuator	N	No
		Y	Yes

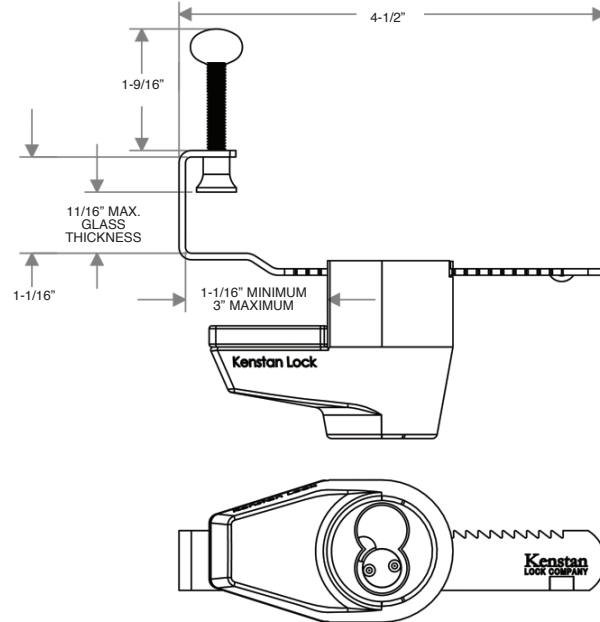
*Cores are not included with this lock.
See page I14 to order cores.

D STANDARD BAR B1

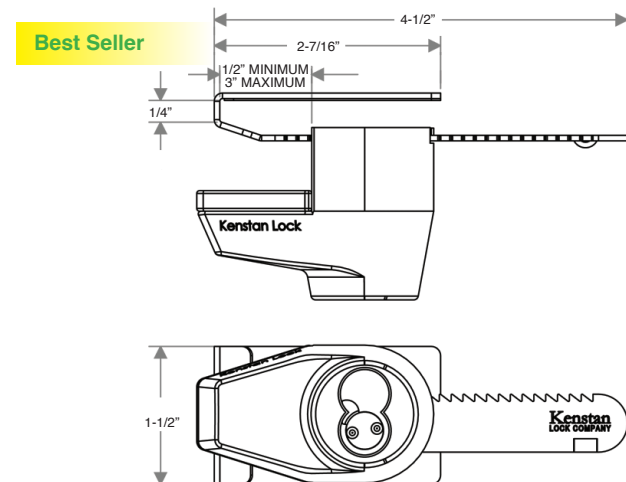


Key is inserted from the front.

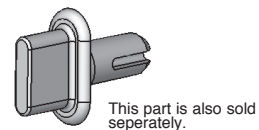
D ADJUSTABLE BAR B2



D STICK ON BAR (Inner Surface) B9

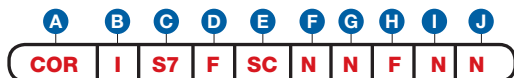


G ACTUATOR (Used to test lock and align prong driver)



Item Number

To determine your item number enter the **RED** option code for each section as in the example below.

**A Lock Style**

COR Interchangeable Core

B Core Type

I I.C. Core

C Core Type/Number of Pins**STANDARD CORE**

S6 6 pins

S7 7 pins

ALPHA CORE (USED AS A PLUNGER)

50A7 7 pins (Patented)

50B7 7 pins

D Keyway

8* Secure

F Standard

L

O Other

E Plating Finish

Extended lead-time and plating lot charges may apply to Special and Custom finishes.

Special Finish	{	SC Satin Chrome
		PB Polished Brass
		SB Satin Brass
		BL Matte Black
		CF Custom Finish

F Key Retaining

Key retaining option is not applicable to **Standard** Core model. (Lock should be ordered as Key Retaining.)

N No

Y Yes

G Keyed Different

N No

Y Yes

H Stamp Core

F Face

S Side

I Master Keyed

N No

Y Yes

G Grand Master

GA Great Grand Master

GB Great Great Grand Master

J Extended

N No (Std.)

1* 1/2" Extension

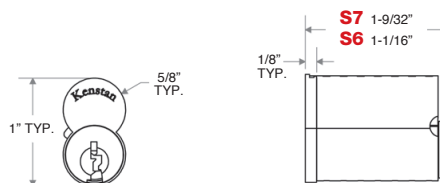
*Option available on Core Type S7 and 50A7 only.

*Keys are not included with Cores. See page I15 to order or view cores.

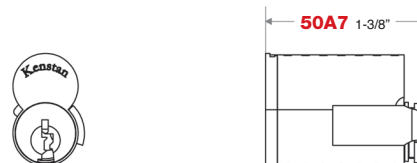
*Restricted codes are available upon request.



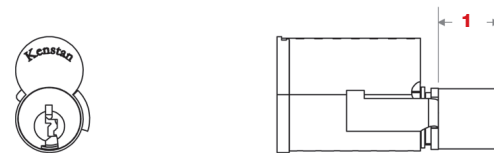
Small format Interchangeable Core

C STANDARD CORE S6 AND S7

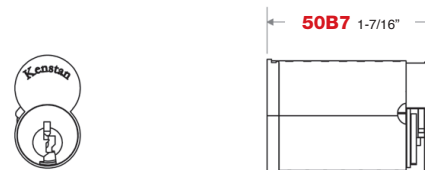
For use with CLI, DLI, GLI, PLI40 and RLI housings.

C ALPHA CORE 50A7 (Key Retaining model shown)

For use with PLI50G1, M1, and W1 housings only.

C ALPHA EXTENDED CORE 50A7 (Non-key Retaining model shown)

For use with PLI50G1, M1, and W1 housings only.

C ALPHA EXTENDED CORE 50B7 (Non-key Retaining model shown)

For use with PLI50G2, M2, W2 and PLI47 housings only.

C ALPHA EXTENDED CORE 50B7 (Non-key Retaining model shown)

For use with PLI50G2, M2, W2 and PLI47 housings only. Available with non-key retaining and F keyway only.

Interchangeable Core Keys

Our Kenstan Interchangeable Core Key product ties into all of the existing Best Access alphabetical keyways.

Kenstan unrestricted **I** keys can be ordered by referencing the stamp number on the key. Keys duplicated by a locksmith will usually not carry over the stamp number – we may need the key sent to us to process your order for keys. Master keys will have **Master** stamped on the key bow; grand master keys will have **G Master** stamped on the key bow; great grand master keys will have **GG Master** stamped on the key bow and great great grand master Keys will have **GGG Master** stamped on the key bow. Core Removal keys will have **Control** stamped on the key bow.

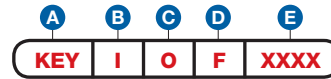
If keys have been lost or stolen, we can reference the stamp number on the face or the side of the core (if available) or we can decode a core that is sent to our factory.



Patented 8 Keyway Key.

Item Number

To determine your item number enter the **RED** option code for each section as in the example below.



A Item
KEY Key

B Core Type
I I.C. Core

C Key Function
O Operating
M Master
G Grand Master
GA Great Grand Master
GB Great Great Grand Master
C Control To Remove Core

D Keyway
8* Kenstan Secure
F
L
O Other

E Key Code
XXXX Specific Up to 4 digits
A Any Kenstan assigns

*Signature required for restricted codes.

- 1. Pricing:** Kenstan Lock reserves the right to institute price adjustments based upon fluctuation of material costs without prior notice. Orders, or balances of orders, that have not shipped within 6 months from the original order date may be subject to a price review.
- 2. Payment Terms:** Payment must be made at time of purchase, unless otherwise approved by Kenstan with terms of Net 30 Days from the date of the invoice. A service charge of 1.5% per month will be charged on overdue accounts.
- 3. Shipping:** Please be sure to specify your preferred shipping method on every order. For all orders received without shipping instructions, Kenstan will use our discretion to make carrier selection based upon the most economical method of shipment available to meet your required in house date. Kenstan is not responsible for risk of loss or damage to products in transit with the selected carrier.
- 4. Deliveries:** At Kenstan, we assemble every lock to order and strive to meet your requested in-house date. Our standard lead time is to ship within two weeks from the receipt of your order. Rush orders and emergency services are available. Unless specifically prohibited in writing by the purchaser, Kenstan reserves the right to make partial shipments of any order.
- 5. Inspection:** Kenstan Lock inspects all products in accordance with our standard quality control procedures. Upon receipt and inspection by the purchaser, any parts proven to be defective or not as ordered may be returned to Kenstan for repair or replacement following the conditions in the "Returned Goods" section (#6) below.
- 6. Returned Goods:** Product replacement or account credit for any returned goods will be made solely at the discretion of Kenstan and will only be accepted upon the issuance of a Return Authorization number from Kenstan's Customer Service Department. Merchandise proven to be defective, due to faulty material and/or workmanship, may be returned for full replacement or credit. Any product ordered incorrectly by the customer may be accepted for return and subject to a 50% handling charge. Locks made with special or out-of production parts are not returnable, unless prior arrangements have been made. Returned merchandise that is damaged in transit, due to inadequate return packaging, will not be accepted.
- 7. Warranty:** Kenstan Lock warrants, for a period of one year from delivery, that our products are free from defects in material and workmanship and makes no other warranties, expressed or implied, including but not limited to the degree of security or the purchaser's application or use of our product. Kenstan Lock Co. will not warranty any locks or parts that were modified outside of our factory. In the event of a product defect, Kenstan shall only be responsible to the extent of the cost of our product, and will not accept any claims for labor or loss of merchandise.
- 8. Cancellation:** If all or any part of an order is cancelled before the completion of the product assembly by Kenstan, the purchaser shall be responsible for payment of all assembled items as well as any special parts ordered for items remaining unassembled at the time of cancellation. If pricing on the original order was based upon Kenstan's quantity discount, a partial cancellation may affect the pricing on items already shipped and invoiced and a price adjustment will be made.
- 9. Catalog Dimensions and Sample Policy:** Please be aware that all lock and part drawing dimensions carry a tolerance of plus or minus 1/16" and are for reference only. Please contact us for actual dimensions. All specifications are subject to change without notice. Samples products are available upon request.