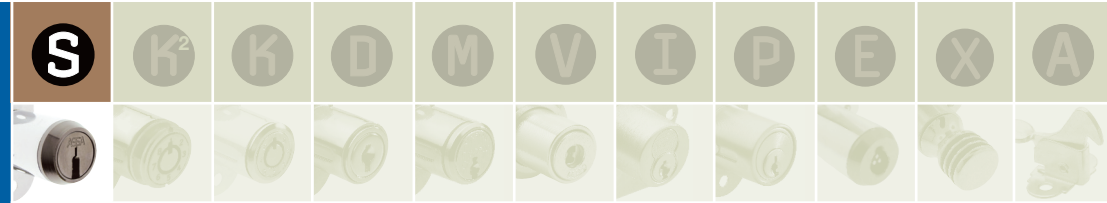


ASSA® Line of Locks



| | | | | | |
|-------------------|-----------------|--|--|--|--|
| Introduction | S 1 | | | | |
| Cam Locks | S 2 S 3 | | | | |
| Drawer/Door Locks | S 4 | | | | |
| Gang Locks | S 5 | | | | |
| Snap Bolt Lock | S 6 | | | | |
| Plunger Locks | S 7 S 8 | | | | |
| Core | S 9 | | | | |
| Keys | S 10 | | | | |





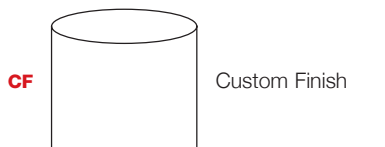
Standard Plating Finish



* Special Plating Finishes



* Custom Plating Finish



* Extended lead-time and plating lot charges may apply to Special and Custom finishes. Please call Kenstan for details.

ASSA® Desmo Line of Locks

The **S** line offers high security in a variety of showcase and cabinet locks with thousands of high-security precision cut key combinations. Some **S** line locks are also available in a **Removable Core** version.

Locks can be keyed alike, individually or in groups and can be master keyed.

Delivery

At Kenstan, we assemble every lock to order and strive to meet your requested in-house date. Our standard lead time is to ship within two weeks from the receipt of your order. Rush orders and emergency services are available.

Plating

The **S** line standard plating finish is Polished Chrome.

A wide range of special plating finishes is also available, including Satin Chrome, Polished Brass, Black and Custom Finishes to match your showcase hardware.

Please note: Extended lead-time and plating lot charges may apply to Special and Custom finishes. Please call Kenstan for details.

Resistance to Attack and Key Control

Our **S** line showcase and cabinet locks offer direct drive pin technology and are designed to offer a high level of physical security. The cylinder locking mechanism is uniquely designed to offer smooth operation and long life. It is nearly impossible to pick these locks using standard techniques.

We can register your keys and maintain your key plans by store, retail department, showcase/cabinets, or office and we maintain a historical database of key numbers. For security reasons, duplication of **S** keys for locks purchased originally from Kenstan can only be obtained through Kenstan with an authorized signature. Key blanks are never sold.

Key Retaining Lock Function

The **S** line standard operation is a key retaining function (captive), which means that the operating key can be removed in the locked position only. Therefore, the lock cannot be accidentally left in the open/unlocked position.

Non-Key Retaining Lock Function

Some **S** Cam locks can also be supplied as non-key retaining (non-captive), which allows the key to be removed in both the locked and unlocked position.

Designer note: For **true** captive operation, the use of our captive key locks must be coordinated with sliding door showcase design. The use of **non by-passing** sliding doors is recommended to restrict door movement and ensure key removal only when the doors are in the **secure** position.

Item Number

To determine your item number enter the **RED** option code for each section as in the example below.

| | | | | | | | | | | |
|-----------|----------|-----------|-------------|-----------|----------|----------|----------|----------|----------|------------|
| A | B | C | D | E | F | G | H | I | J | K |
| CL | S | 04 | 1203 | PN | Y | Y | Y | N | W | 106 |

A Lock Style

CL Cam Lock

B Core Type

S ASSA® Desmo
J ASSA® Desmo Removable Core

C Housing Length

| | MAXIMUM MATERIAL THICKNESS | | | |
|-------------|----------------------------|-------|--------|---------------|
| | WOOD | METAL | GLASS | BARREL LENGTH |
| 02* | - | 5/16" | 1/8" | 5/8" |
| 03** | 7/16" | 1/2" | 3/8" | 7/8" |
| 04 | 13/16" | 7/8" | 11/16" | 1-1/8" |
| 10** | 1-3/8" | - | - | 1-3/4" |
| 11 | 1-9/16" | - | - | 2" |
| 13** | 2-1/4" | - | - | 2-3/4" |
| 14 | 2-7/16" | - | - | 3" |

D Cam Rotation

| | LOCKED | | OPEN | |
|-------------|--------|------|-------------|------|
| | LOCKED | OPEN | LOCKED | OPEN |
| 0312 | 3 | 12 | 0912 | 9 |
| 0306 | 3 | 6 | 0903 | 9 |
| 0309 | 3 | 9 | 0906 | 9 |
| 0603 | 6 | 3 | 1203 | 12 |
| 0612 | 6 | 12 | 1206 | 12 |
| 0609 | 6 | 9 | 1209 | 12 |

E Plating Finish

Extended lead-time and plating lot charges may apply to Special and Custom finishes.

| | | |
|----------------|-----------|-----------------|
| Special Finish | PC | Polished Chrome |
| | SN | Satin Chrome |
| | PB | Polished Brass |
| | BL | Black |
| | CF | Custom Finish |

F Key Retaining

N No
Y Yes

G Keyed Different

N No
Y Yes

H Stamp Lock

N No
Y Yes

I Master Keyed

N No
Y Yes

J Material Installation

W Wood
M Metal
GR Glass with Round Hole
GD Glass with Double "D" Hole
O Other - No Mounting Hardware

Note: When the non key retaining function is chosen in conjunction with a 90 degree cam rotation, the key will be inserted at a 45 degree angle.

*Not available in Removable Core. *Available in Key Retaining only.



Note: All Cam Locks come with a 1-1/4" Straight Cam unless a different cam is chosen.

K Cam Type

STRAIGHT

101 5/8"
102 3/4"
103 7/8"
104 1"
105 1-1/8"
106 1-1/4"
107 1-3/8"
108 1-1/2"
110 1-3/4"
112 2"
116 2-1/2"

1/8" OFFSET

303 7/8"
306 1-1/4"
308 1-1/2"
312 2"

1/4" OFFSET

403 7/8"
404 1"
406 1-1/4"
408 1-1/2"
410 1-3/4"
412 2"
414 2-1/4"

3/8" OFFSET

504 1"
506 1-1/4"
508 1-1/2"
512 2"

1/2" OFFSET

606 1-1/4"
608 1-1/2"
610 1-3/4"
612 2"

5/8" OFFSET

712 2"

HOOK

202 3/4"
204 1"
206 1-1/4"
208 1-1/2"
210 1-3/4"

PIN CAM

P604 9/16" offset

FOR SWITCH KIT

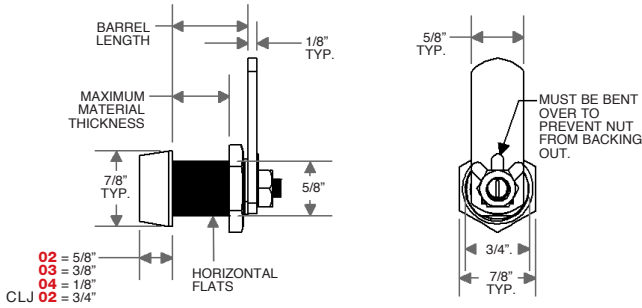
SL No Cam*

*Switch option available. See Page A10 to order switch kit.

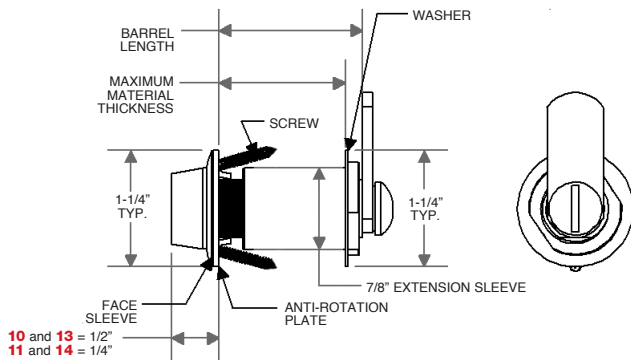
Continued



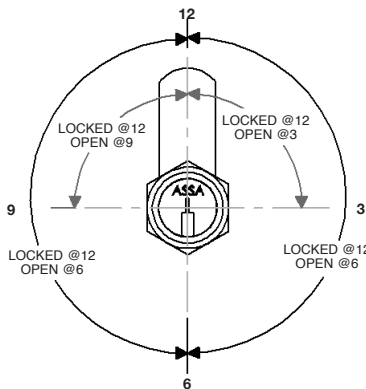
C HOUSING LENGTHS 02, 03 and 04



C HOUSING LENGTHS 10, 11, 13 and 14

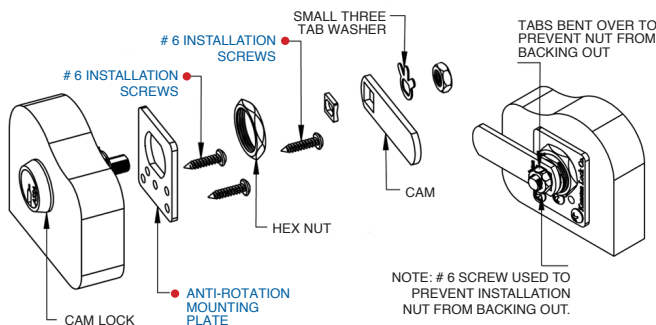


D CAM ROTATIONS (Front of lock shown)

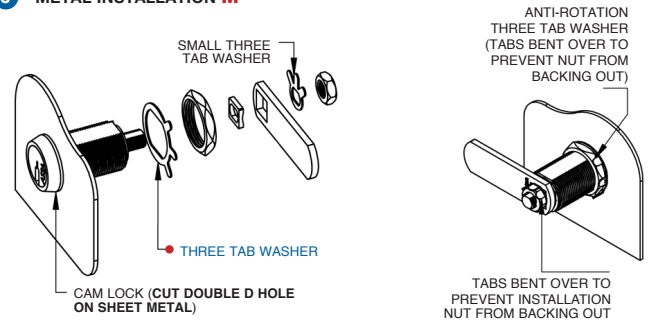


All 180 degree rotations are clockwise, unless specified.

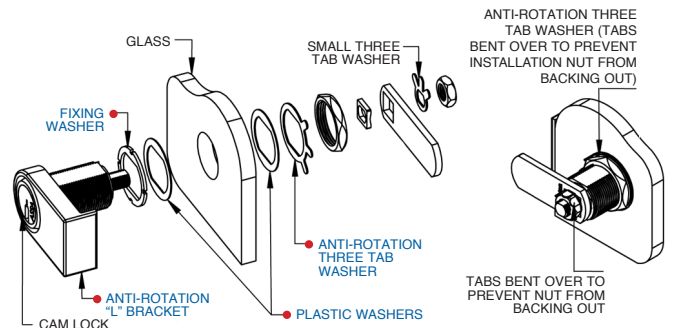
J WOOD INSTALLATION W



J METAL INSTALLATION M

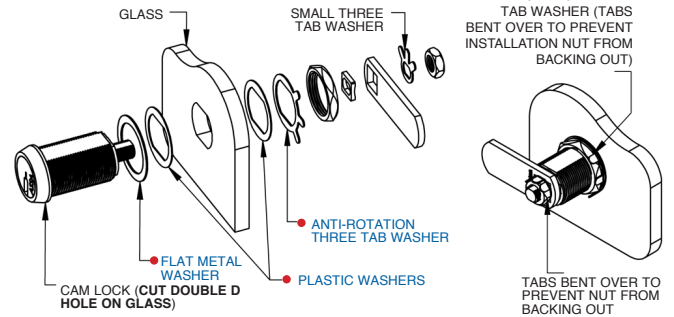


J GLASS INSTALLATION - ROUND HOLE GR

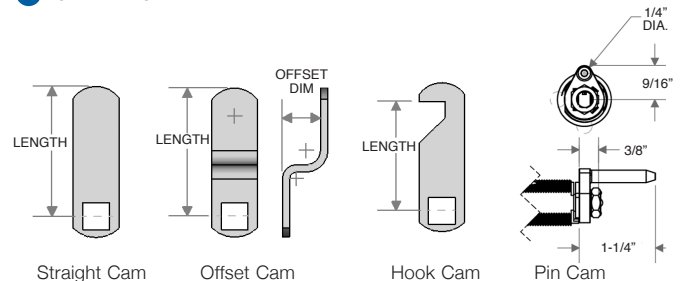


Dimension from center of hole to the edge of glass is 1-1/4"

J GLASS INSTALLATION - DOUBLE D HOLE GD



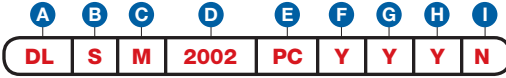
K CAM TYPES



Note: All Offset cams are reversible.

Item Number

To determine your item number enter the **RED** option code for each section as in the example below.



A Lock Style

DL Drawer/Door Lock

B Core Type

S ASSA® Desmo
J ASSA® Desmo Removable Core

C Housing Length

M* 15/16"
L 1-7/16"

D Bolt Type

STRAIGHT BOLT

2001 1-1/8"
2002 1-3/4"
2003 2-3/8"
2004 3-3/16"

3/8" OFFSET BOLT

2205 1-11/16"

DIECAST SPRING BOLT

3209 1-3/8" Std.

SLIDING SPRING BOLT

3410 1-3/8" Left
3411 1-3/8" Right

E Plating Finish

Extended lead-time and plating lot charges may apply to Special and Custom finishes.

| | | |
|----------------|-----------|-----------------|
| Special Finish | PC | Polished Chrome |
| | SC | Satin Chrome |
| | PB | Polished Brass |
| | BL | Black |
| | CF | Custom Finish |

F Key Retaining

*Option available only on Spring Bolt models.

N* No
Y Yes

G Keyed Different

N No
Y Yes

H Stamp Lock

N No
Y Yes

I Master Keyed

N No
Y* Yes

*For Master Keyed Core Type S locks, the Head Thickness is 5/8".

*Not available in Removable Core.

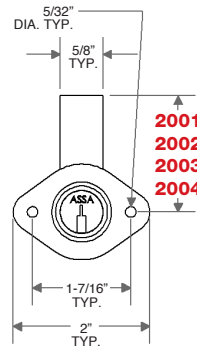


Pat. Pending

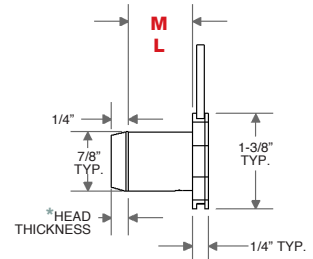
"Throw" (distance bolt travels from the locked to unlocked position) is 7/16".

All dimensions shown are in the locked position.

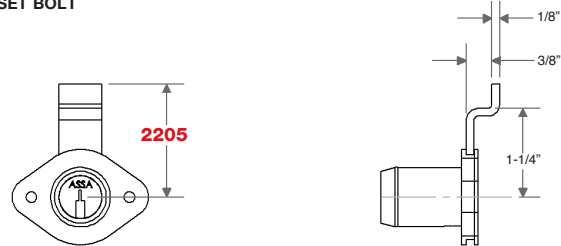
D STRAIGHT BOLT



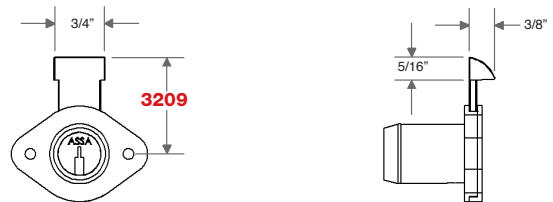
C HOUSING LENGTH



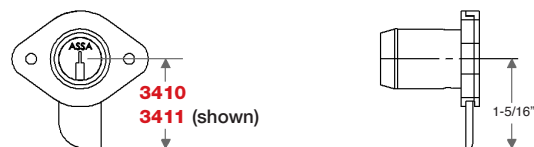
D 3/8" OFFSET BOLT



D DIECAST SPRING BOLT (3/16" bolt engagement recommended)



D SLIDING SPRING BOLT



Price List and Data Sheet

Gang Lock

GL

Item Number

To determine your item number choose one **RED** option code from each section below.

A Lock Style

GL Gang Lock

B Core Type

S ASSA® Desmo
J ASSA® Desmo Removable Core

C Housing Length

M* 15/16"
L 1-7/16"

D Mount Style/Bar Length

| | | |
|---|--------------------------------|--------|
| Notch for Pin must be on Bottom of Drawer | FRONT MOUNT LOCKED UP | |
| | 2424 | 24" |
| | 2436 | 36" |
| | 2448 | 48" |
| | 24CL | Custom |
| Notch for Pin must be on Top of Drawer | FRONT MOUNT LOCKED DOWN | |
| | 2824 | 24" |
| | 2836 | 36" |
| | 2848 | 48" |
| | 28CL | Custom |
| SIDE MOUNT LOCKED UP | | |
| 2624 | 24" | |
| 2636 | 36" | |
| 2648 | 48" | |
| 26CL | Custom | |
| SIDE MOUNT LOCKED DOWN | | |
| 3024 | 24" | |
| 3036 | 36" | |
| 3048 | 48" | |
| 30CL | Custom | |

E Plating Finish

Extended lead-time and plating lot charges may apply to Special and Custom finishes.

| | | |
|----------------|-----------|-----------------|
| Special Finish | PC | Polished Chrome |
| | SC | Satin Chrome |
| | PB | Polished Brass |
| | BL | Black |
| | CF | Custom Finish |

F Key Retaining

Y Yes

G Keyed Different

N No
Y Yes

H Stamp Lock

N No
Y Yes

I Master Keyed

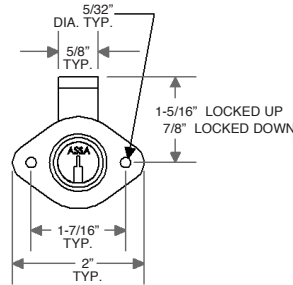
N No
Y* Yes

*For Master Keyed Core Type **S** locks, the Head Thickness is 5/8".

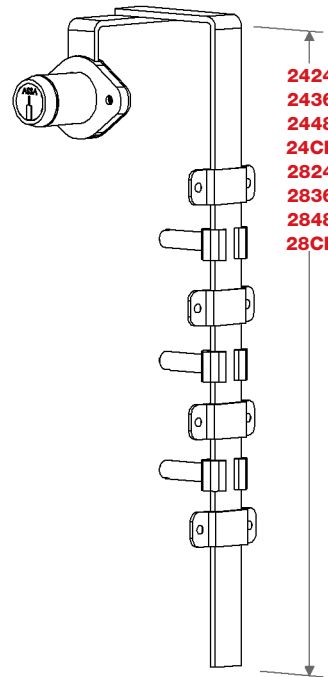
*Not available in Removable Core.

Throw (distance bolt travels from the locked to unlocked position) is 7/16".

FRONT MOUNT - FRONT VIEW

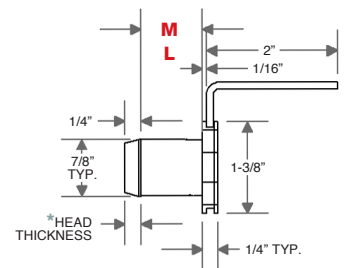


FRONT MOUNT (Shown with a Gang 3C Kit)

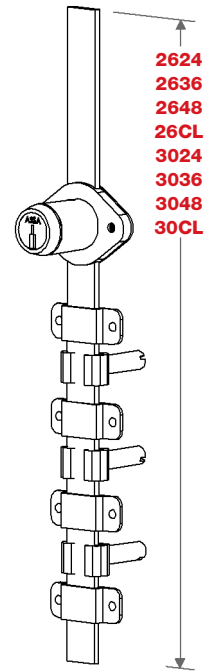


Pat. Pending

FRONT MOUNT - SIDE VIEW

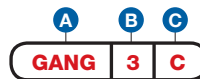


SIDE MOUNT (Shown with a Gang 3C Kit)



Gang Lock Packages

To determine your item number enter the **RED** option code for each section as in the example below.

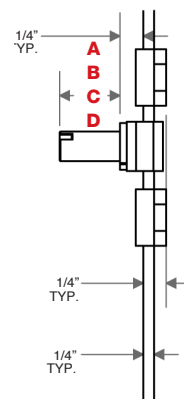


GANG 3C A kit with three adjustable stops, three 1-1/8" pins, three lock washers, and four closed bar guides.

A Package
GANG

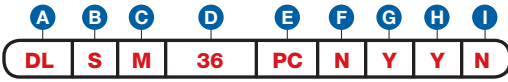
B Number of Drawers
2
3
4

C Pin Length
A 5/8"
B 3/4"
C 1-1/8"
D 1-7/8"



Item Number

To determine your item number enter the **RED** option code for each section as in the example below.



A Lock Style

DL Drawer/Door Lock

B Core Type

S ASSA® Desmo
J ASSA® Desmo Removable Core

C Housing Length

M* 15/16"
L 1-7/16"

D Bolt Type

SNAP BOLT
36 3/4"

E Plating Finish

Extended lead-time and plating lot charges may apply to Special and Custom finishes.

| | | |
|----------------|---|---------------------------|
| Special Finish | { | PC Polished Chrome |
| | | SC Satin Chrome |
| | | PB Polished Brass |
| | | BL Black |
| | | CF Custom Finish |

F Key Retaining

N No

G Keyed Different

N No
Y Yes

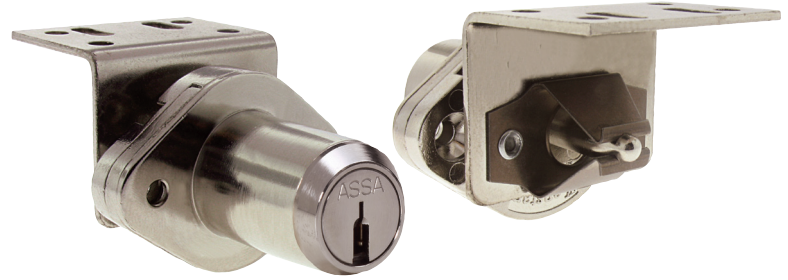
H Stamp Lock

N No
Y Yes

I Master Keyed

N No
Y* Yes

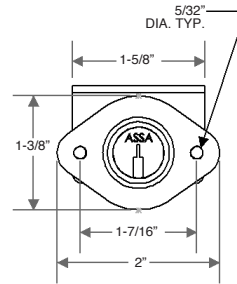
*For Master Keyed Core Type S locks, the Head Thickness is 5/8".



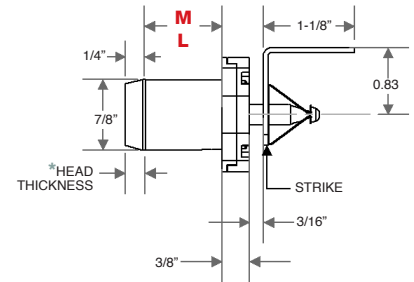
Pat. Pending

All dimensions shown are in the locked position.

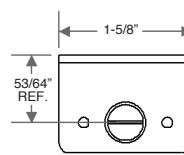
D SNAP BOLT



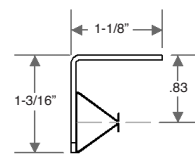
C HOUSING LENGTH



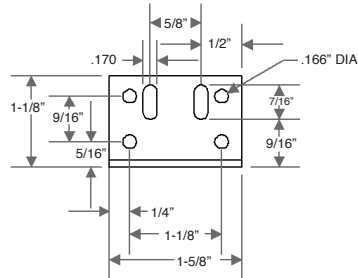
STRIKE FRONT VIEW



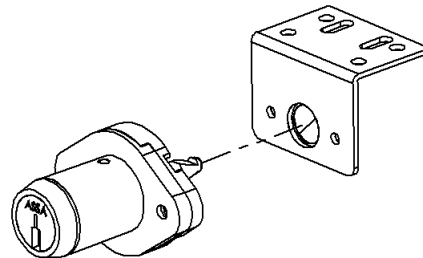
STRIKE SIDE VIEW



STRIKE TOP VIEW



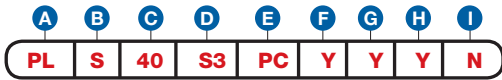
ISOMETRIC VIEW



Price List and Data Sheet

Item Number

To determine your item number enter the **RED** option code for each section as in the example below.



- A Lock Style**
PL Plunger Lock

- B Core Type**
S ASSA® Desmo
1-1/4" Housing Length
J Removable Core
1-3/4" Housing Length

- C Housing Style**
40 Oval Flange

- D Plunger Type/Length**
S SERIES
S1 3/8"
S2 7/16"
S3 5/8"

- E Plating Finish**
Extended lead-time and plating lot charges may apply to Special and Custom finishes.
PC Polished Chrome
SC Satin Chrome
PB Polished Brass
BL Black
CF Custom Finish

- F Key Retaining**
N No
Y Yes

- G Keyed Different**
N No
Y Yes

- H Stamp Lock**
N No
Y Yes

- I Master Keyed**
N No
Y* Yes

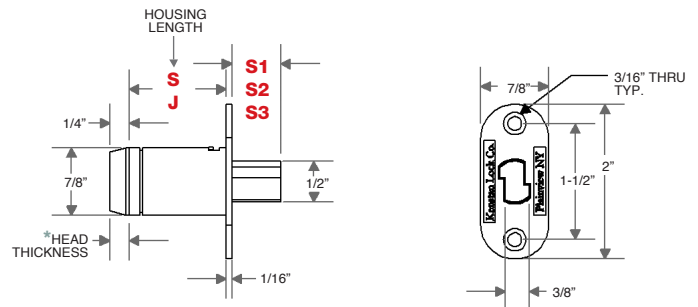
*For Master Keyed Core Type S locks, the Head Thickness is 5/8".



Pat. Pending

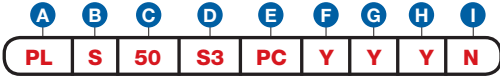
All dimensions shown are in the locked position.

D S SERIES



Item Number

To determine your item number enter the **RED** option code for each section as in the example below.



A Lock Style

PL Plunger Lock

B Core Type

S ASSA® Desmo
1-1/4" Housing Length
J Removable Core
1-3/4" Housing Length

C Housing Style

50 Round Flange

D Plunger Type/Length

S SERIES
S1 3/8"
S2 7/16"
S3 5/8"

E Plating Finish

Extended lead-time and plating lot charges may apply to Special and Custom finishes.

Special Finish
PC Polished Chrome
SC Satin Chrome
PB Polished Brass
BL Black
CF Custom Finish

F Key Retaining

N No
Y Yes

G Keyed Different

N No
Y Yes

H Stamp Lock

N No
Y Yes

I Master Keyed

N No
Y* Yes

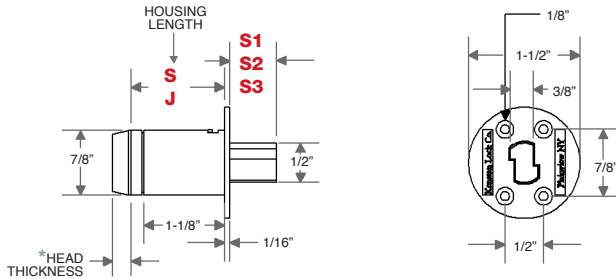
*For Master Keyed Core Type **S** locks, the Head Thickness is 5/8".



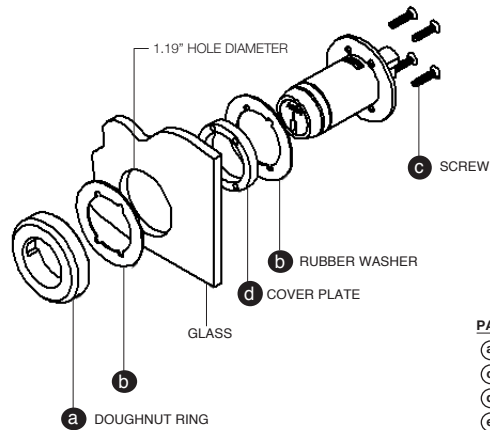
Pat. Pending

All dimensions shown are in the locked position. NOTE: A 1.19" hole is required to mount this glass lock.

D S SERIES



PLS50 GLASS INSTALLATION

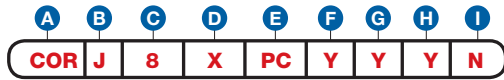


| PARTS INCLUDED | QTY. |
|--------------------|------|
| (a) DOUGHNUT | 1 |
| (c) PLASTIC WASHER | 2 |
| (d) PLASTIC SPACER | 1 |
| (e) SCREW | 4 |

Price List and Data Sheet

Item Number

To determine your item number enter the **RED** option code for each section as in the example below.



A Lock Style

COR Plunger Lock

B Core Type

J Removable Core

C Number of Pins

8 Standard 8 Pin

D Keyway

X No Option

E Plating Finish

Extended lead-time and plating lot charges **may** apply to Special and Custom finishes.

| | | |
|-------------------|---|---------------------------|
| Special Finish | { | PC Polished Chrome |
| | | SC Satin Chrome |
| | | PB Polished Brass |
| | | BL Black |
| | | CF Custom Finish |

F Key Retaining

X No Option
(Function of the Lock)

G Keyed Different

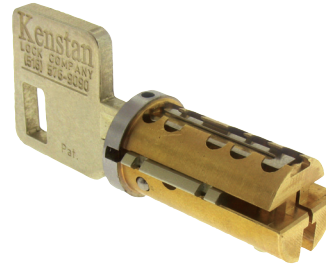
N No
Y Yes

H Stamp Lock

N No
Y Yes

I Master Keyed

N No
Y Yes



USED ON THE FOLLOWING REMOVABLE CORE LOCK TYPES:

-CAM LOCKS

-DRAWER/DOOR LOCKS

-GANG LOCKS

-DL36 SNAP BOLT LOCK

-PL40 PLUNGER LOCKS

-AND

-PL50 PLUNGER LOCKS

ASSA® Desmo Keys

Our ASSA® Desmo High Security cabinet lock keys are made from nickel-silver for long life; there are no deep cut to weaken the key. ASSA® Desmo keys must be precisely cut to exact depths and angles, and require special duplicating machines. The key blanks are considered restricted, factory controlled and never sold as uncut blanks.

Duplicate keys can not be made without the written signature consent and drivers license identification of the Authorized Purchasing Personnel. The patented key programs prevent the unauthorized duplication of keys and maintain system integrity.

Additional ASSA® Desmo restricted keys can only be ordered under the signature of the authorized user.

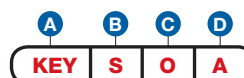
Original Keys can be ordered by referencing the stamp number on the key.

If keys have been lost or stolen, we can reference the stamp number on the lock housings, cams or bolts if available.



Item Number

To determine your item number enter the **RED** option code for each section as in the example below.



A **Item**
KEY Key

B **Core Type**
S ASSA® Desmo
J ASSA® Desmo
Removable Core

C **Key Function**
O Operating
M Master
C Control
For Removable Core

D **Key Code**
XXXXX Specific
Up to 5 digits
A Any
Kenstan assigns

- 1. Pricing:** Kenstan Lock reserves the right to institute price adjustments based upon fluctuation of material costs without prior notice. Orders, or balances of orders, that have not shipped within 6 months from the original order date may be subject to a price review.
- 2. Payment Terms:** Payment must be made at time of purchase, unless otherwise approved by Kenstan with terms of Net 30 Days from the date of the invoice. A service charge of 1.5% per month will be charged on overdue accounts.
- 3. Shipping:** Please be sure to specify your preferred shipping method on every order. For all orders received without shipping instructions, Kenstan will use our discretion to make carrier selection based upon the most economical method of shipment available to meet your required in house date. Kenstan is not responsible for risk of loss or damage to products in transit with the selected carrier.
- 4. Deliveries:** At Kenstan, we assemble every lock to order and strive to meet your requested in-house date. Our standard lead time is to ship within two weeks from the receipt of your order. Rush orders and emergency services are available. Unless specifically prohibited in writing by the purchaser, Kenstan reserves the right to make partial shipments of any order.
- 5. Inspection:** Kenstan Lock inspects all products in accordance with our standard quality control procedures. Upon receipt and inspection by the purchaser, any parts proven to be defective or not as ordered may be returned to Kenstan for repair or replacement following the conditions in the "Returned Goods" section (#6) below.
- 6. Returned Goods:** Product replacement or account credit for any returned goods will be made solely at the discretion of Kenstan and will only be accepted upon the issuance of a Return Authorization number from Kenstan's Customer Service Department. Merchandise proven to be defective, due to faulty material and/or workmanship, may be returned for full replacement or credit. Any product ordered incorrectly by the customer may be accepted for return and subject to a 50% handling charge. Locks made with special or out-of production parts are not returnable, unless prior arrangements have been made. Returned merchandise that is damaged in transit, due to inadequate return packaging, will not be accepted.
- 7. Warranty:** Kenstan Lock warrants, for a period of one year from delivery, that our products are free from defects in material and workmanship and makes no other warranties, expressed or implied, including but not limited to the degree of security or the purchaser's application or use of our product. Kenstan Lock Co. will not warranty any locks or parts that were modified outside of our factory. In the event of a product defect, Kenstan shall only be responsible to the extent of the cost of our product, and will not accept any claims for labor or loss of merchandise.
- 8. Cancellation:** If all or any part of an order is cancelled before the completion of the product assembly by Kenstan, the purchaser shall be responsible for payment of all assembled items as well as any special parts ordered for items remaining unassembled at the time of cancellation. If pricing on the original order was based upon Kenstan's quantity discount, a partial cancellation may affect the pricing on items already shipped and invoiced and a price adjustment will be made.
- 9. Catalog Dimensions and Sample Policy:** Please be aware that all lock and part drawing dimensions carry a tolerance of plus or minus 1/16" and are for reference only. Please contact us for actual dimensions. All specifications are subject to change without notice. Samples products are available upon request.