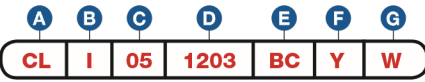


Item Number

To determine your item number enter the **RED** option code for each section as in the example below.

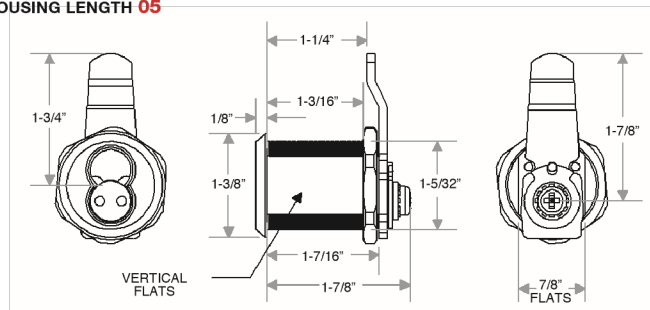


A Lock Style	CL Cam Lock	
B Core Type*	I I.C. Core	
C Housing Length	05 1-7/16"	
D Cam Rotation	LOCKED	OPEN
0312	3	12
0306	3	6
0603	6	3
0609	6	9
0912	9	12
0906	9	6
1203	12	3
1209	12	9
E Plating Finish	Extended lead-time and plating lot charges may apply to Special and Custom finishes.	
Special Finish	BC	Brushed Chrome
	PC	Polished Chrome
	PB	Polished Brass
	SB	Satin Brass
	BL	Matte Black
	CF	Custom Finish
F Key Retaining	N No	
	Y Yes	
G Material Installation	W Wood	
	M Metal	
	GR Glass W/ Round Hole	
	GD Glass W/ DD Hole	

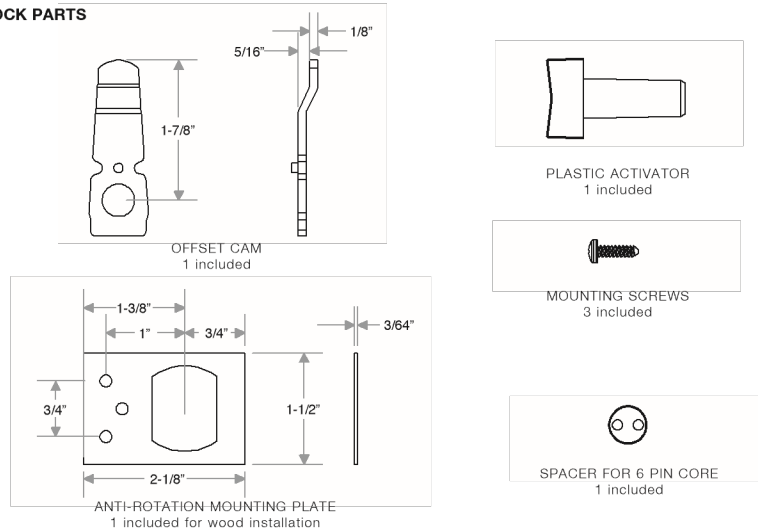
*Cores are not included with this lock. See page I14 to order cores.



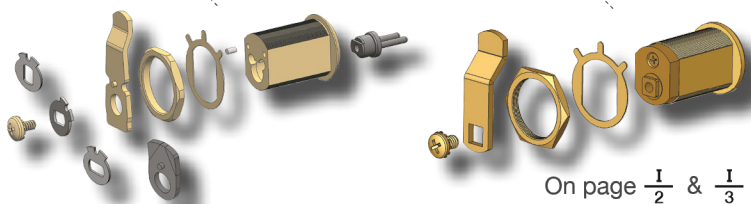
C HOUSING LENGTH 05



LOCK PARTS



CLI05 Old Design vs CLI06 New Design



On page $\frac{1}{2}$ & $\frac{1}{3}$

- You assemble and install
- Less options and complicated to install
- We assemble and you install
- More options and easy to install