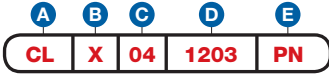


Item Number

To determine your item number enter the **RED** option code for each section as in the example below.



A Lock Style

CL Cam Lock

B Core Type

X Knob
New **C** Coin

C Housing Length

MAXIMUM MATERIAL THICKNESS

	WOOD	METAL	GLASS	BARREL LENGTH
04	13/16"	7/8"	11/16"	1-1/8"
05	1"	1-1/16"	7/8"	1-3/8"
06	1-5/16"	1-7/16"	1-1/4"	1-11/16"

D Cam Rotation

	LOCKED	OPEN
0312	3	12
0306	3	6
0309	3	9
0603	6	3
0612	6	12
0609	6	9
0912	9	12
0903	9	3
0906	9	6
1203	12	3
1206	12	6
1209	12	9

E Plating Finish

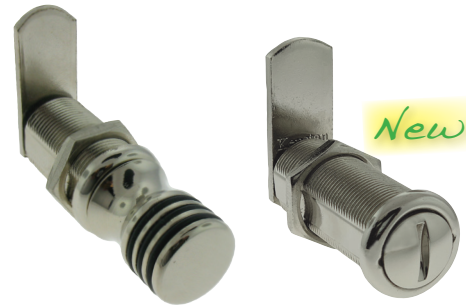
Extended lead-time and plating lot charges **may** apply to Special and Custom finishes.

Special Finish

PN	Polished Nickel
SN	Satin Nickel
PB	Polished Brass
SB	Satin Brass
BL	Matte Black
ST	Statuary Bronze
CF	Custom Finish

F Material Installation

W	Wood
M	Metal
GR	Glass with Round Hole
GD	Glass with Double "D" Hole
O	Other - No Mounting Hardware



All Cam Locks come with a 1-1/4" Straight Cam unless a different cam is chosen.

G Cam Type

STRAIGHT

101	5/8"
102	3/4"
103	7/8"
104	1"
105	1-1/8"
106	1-1/4"
107	1-3/8"
108	1-1/2"
110	1-3/4"
112	2"
116	2-1/2"

1/8" OFFSET

303	7/8"
306	1-1/4"
308	1-1/2"
312	2"

1/4" OFFSET

403	7/8"
404	1"
406	1-1/4"
408	1-1/2"
410	1-3/4"
412	2"
414	2-1/4"

3/8" OFFSET

504	1"
506	1-1/4"
508	1-1/2"
512	2"

1/2" OFFSET

606	1-1/4"
608	1-1/2"
610	1-3/4"
612	2"

5/8" OFFSET

712	2"
------------	----

HOOK

202	3/4"
204	1"
206	1-1/4"
208	1-1/2"
210	1-3/4"

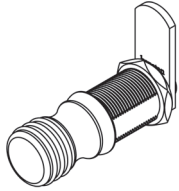
CUSTOM CAM

CL

Continued



B CORE TYPE

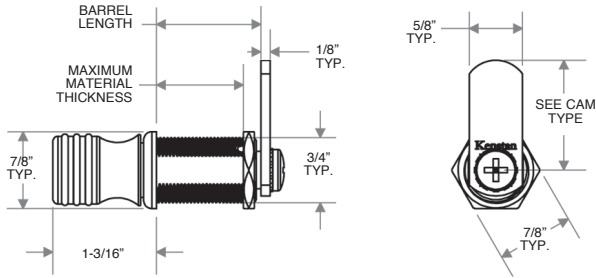


Knob



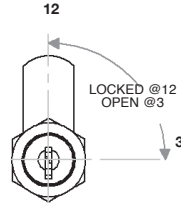
Coin

C HOUSING LENGTH 04, 05 and 06



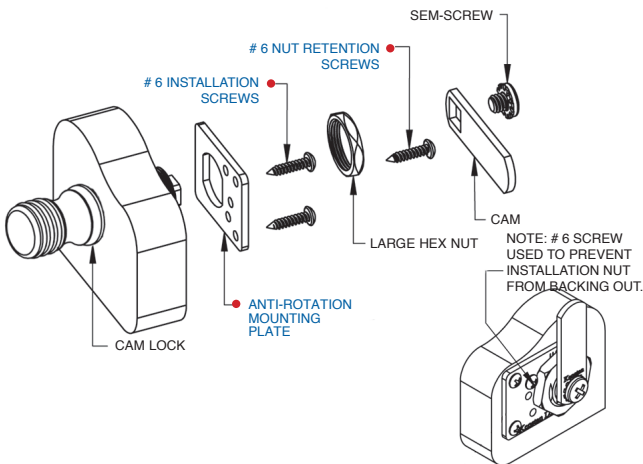
Knob core type shown

D CAM ROTATION EXAMPLE

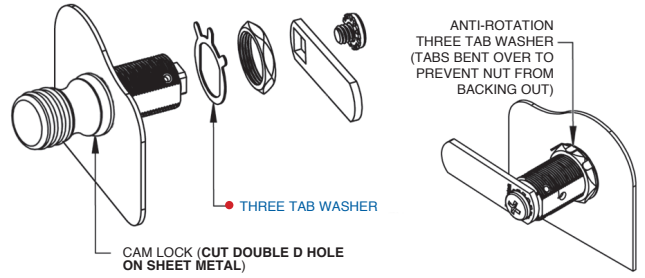


All 180 degree rotations are clockwise, unless specified.

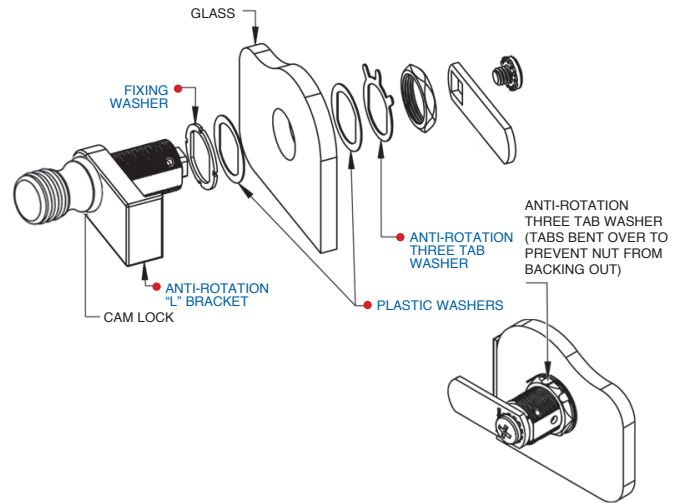
F WOOD INSTALLATION W



F METAL INSTALLATION M

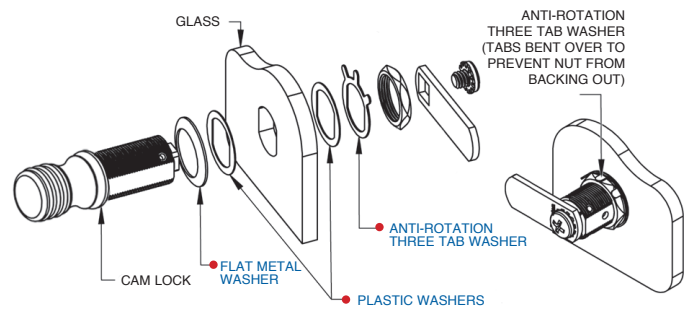


F GLASS INSTALLATION - ROUND HOLE GR

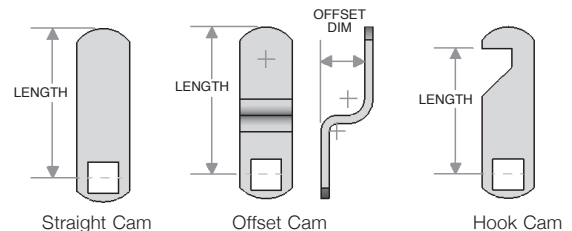


Dimension from center of hole to the edge of glass is 1-1/4"

F GLASS INSTALLATION - DOUBLE D HOLE GD



G CAM TYPES



Note: All Offset cams are reversible.