

Item Number

To determine your item number enter the **RED** option code for each section as in the example below.

A	B	C	D	E	F	G	H	I	J	K
CL	B	04	1203	PN	N	Y	Y	N	W	106

A Lock Style

CL Cam Lock

B Core Type

B Kenstan B Keyway
BR Kenstan B Keyway - Removable Core
D 54G Keyway
DR 54G Keyway - Removable Core

C Housing Length

	MAXIMUM MATERIAL THICKNESS			
	WOOD	METAL	GLASS	BARREL LENGTH
01*	-	1/16"	-	7/16
02*	-	3/16"	-	5/8
03*	3/8"	7/16"	5/16"	7/8"
04*	13/16"	7/8"	11/16"	1-1/8"
05	1"	1-1/16"	7/8"	1-3/8"
06	1-5/16"	1-7/16"	1-1/4"	1-11/16
10*	1-1/2"	-	-	1-3/4"
11	1-7/8"	-	-	2"
12	2"	-	-	2-1/4"
13*	2-3/8"	-	-	2-3/4"
14	2-3/4"	-	-	3"
15	2-15/16"	-	-	3-1/4"

D Cam Rotation

	LOCKED	OPEN		LOCKED	OPEN
0312	3	12	0912	9	12
0306	3	6	0903*	9	3
0309*	3	9	0906	9	6
0603	6	3	1203	12	3
0612*	6	12	1206*	12	6
0609	6	9	1209	12	9

E Plating Finish

Extended lead-time and plating lot charges may apply to Special and Custom finishes.

Special Finish	
PN	Polished Nickel
SN	Satin Nickel
PB	Polished Brass
SB	Satin Brass
BL	Matte Black
ST	Statuary Bronze
CF	Custom Finish

F Key Retaining

N No
Y Yes 90 degree Cam Rotation Only

G Keyed Different

N No
Y Yes

H Stamp Lock

N No
Y Yes

I Master Keyed

N No
Y Yes

J Material Installation

W Wood
M Metal
GR Glass with Round Hole
GD Glass with Double "D" Hole
O Other - No Mounting Hardware



All Cam Locks come with a 1-1/4" Straight Cam unless a different cam is chosen.

K Cam Type

STRAIGHT

101 5/8"
102 3/4"
103 7/8"
104 1"
105 1-1/8"
106 1-1/4"
107 1-3/8"
108 1-1/2"
110 1-3/4"
112 2"
116 2-1/2"

1/8" OFFSET

303 7/8"
306 1-1/4"
308 1-1/2"
312 2"

1/4" OFFSET

403 7/8"
404 1"
406 1-1/4"
408 1-1/2"
410 1-3/4"
412 2"
414 2-1/4"

3/8" OFFSET

504 1"
506 1-1/4"
508 1-1/2"
512 2"

1/2" OFFSET

606 1-1/4"
608 1-1/2"
610 1-3/4"
612 2"

5/8" OFFSET

712 2"

HOOK

202 3/4"
204 1"
206 1-1/4"
208 1-1/2"
210 1-3/4"

PIN CAM

P604 9/16" offset

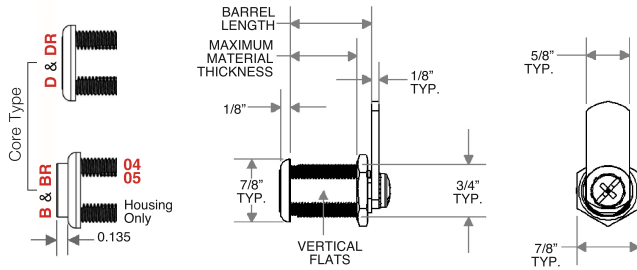
FOR SWITCH KIT

SL No Cam*

*Switch option available. See Page A10 to order switch kit.
 *Not available in Removable Core.
 *Not available with Key Retaining feature.

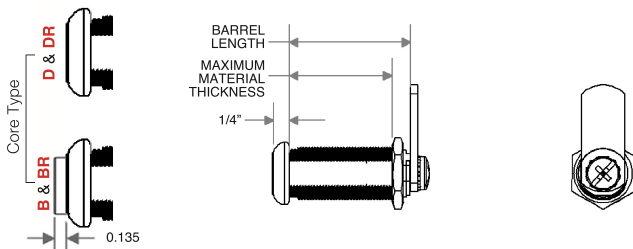
Continued

C HOUSING LENGTH 01, 02, 03, 04 and 05



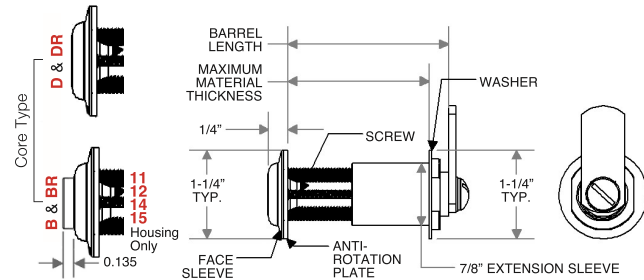
Thicker core face design to help prevent keys from breaking.

C HOUSING LENGTH 06



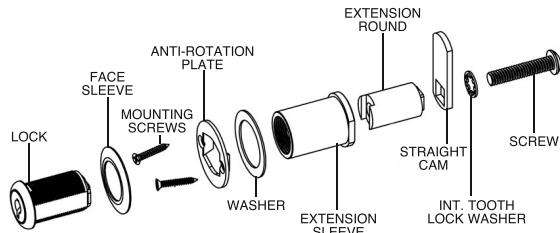
Thicker core face design to help prevent keys from breaking.

C HOUSING LENGTH 10, 11, 12, 13, 14 and 15

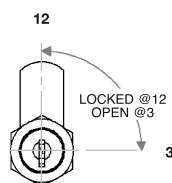


Thicker core face design to help prevent keys from breaking.

CAM LOCK - EXPLODED VIEW

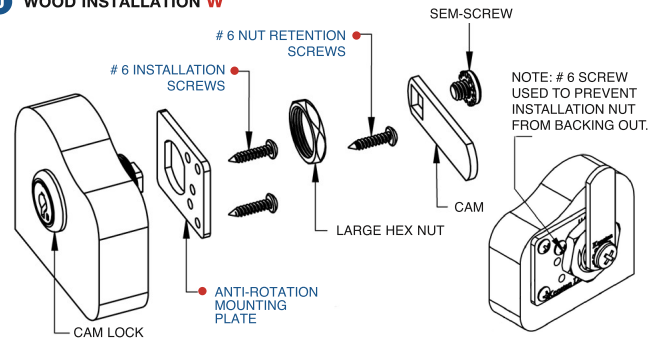


D CAM ROTATION EXAMPLE

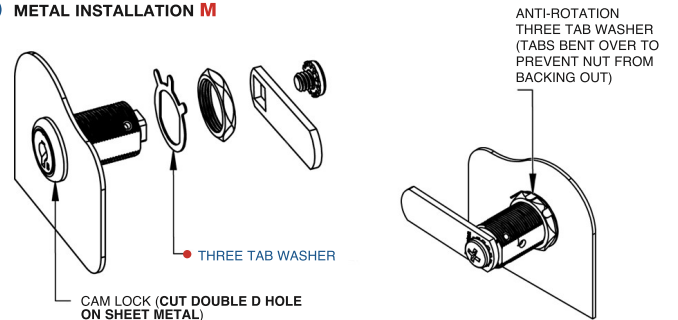


All 180 degree rotations are clockwise, unless specified.

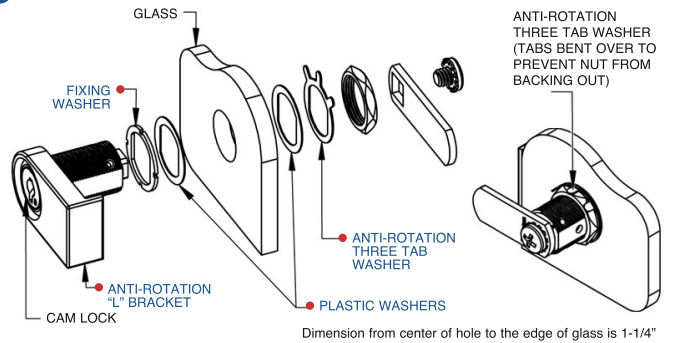
J WOOD INSTALLATION W



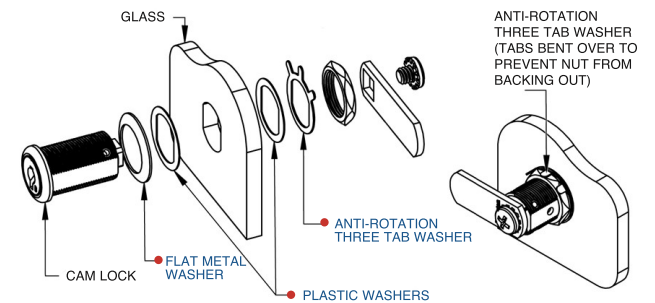
J METAL INSTALLATION M



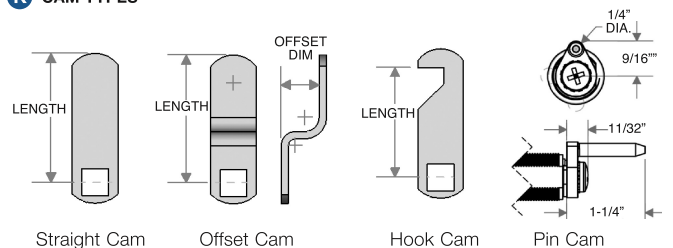
J GLASS INSTALLATION - ROUND HOLE GR



J GLASS INSTALLATION - DOUBLE D HOLE GD



K CAM TYPES



Note: All Offset cams are reversible.