

Item Number

To determine your item number enter the **RED** option code for each section as in the example below.

A	B	C	D	E	F	G	H
CL	EY	04	1203	PN	Y	W	106

A Lock Style

CL Cam Lock

B Core Type

EY Ktronic

C Housing Length

MAXIMUM MATERIAL THICKNESS

	WOOD	METAL	GLASS	BARREL LENGTH
04	3/4"	7/8"	3/4"	1-1/8"

D Cam Rotation

	LOCKED	OPEN
0306	3	6
0609	6	9
0912	9	12
1203	12	3

E Plating Finish

PN Polished Nickel
w/Satin Nickel Core

F Key Retaining

N No
Y Yes

G Material Installation

W Wood
M Metal
GR Glass with Round Hole
GD Glass with Double "D" Hole
O Other - No Mounting Hardware

H Cam Type

STRAIGHT

106	1-1/4"
107	1-3/8"
108	1-1/2"
110	1-3/4"

1/8" OFFSET

306	1-1/4"
308	1-1/2"

1/4" OFFSET

403	7/8"
404	1"
406	1-1/4"
408	1-1/2"
410	1-3/4"



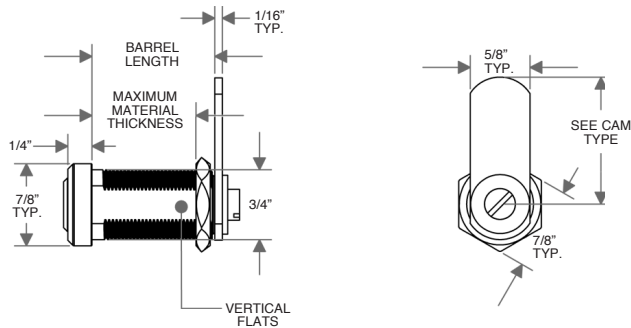
Note: All Cam Locks come with a 1-1/4" Straight Cam unless a different cam is chosen.

Note: Keys are not included with this lock.
See page EY 11 to order keys.

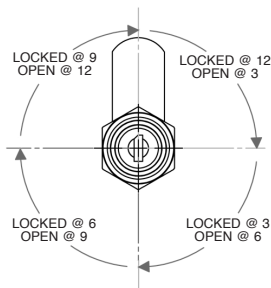
Continued

Note: A 3/4" diameter hole is required to mount this lock.

C HOUSING LENGTH 04

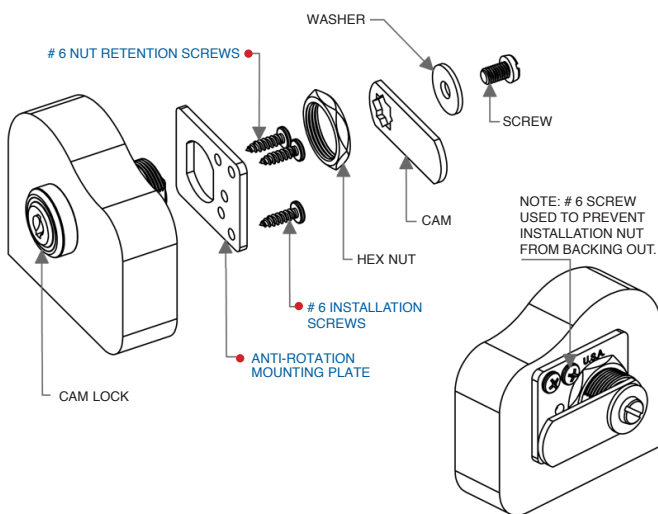


D CAM ROTATION (Front of lock shown)

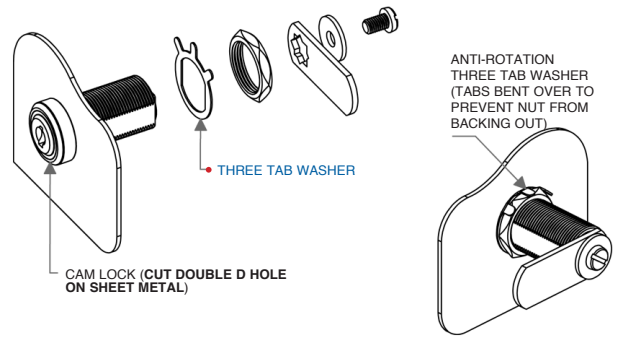


All Cam Rotations are 90 degree clockwise.

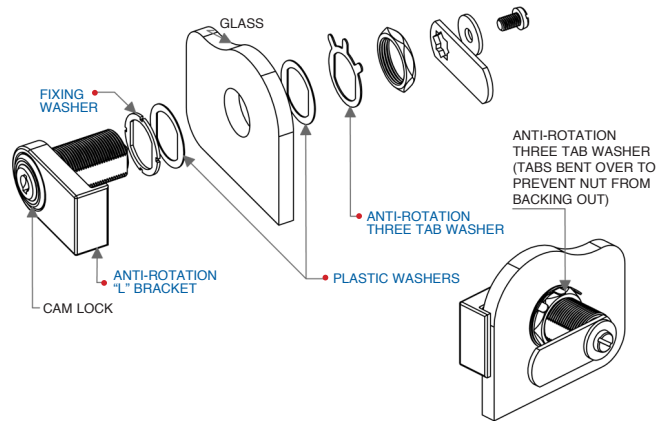
G WOOD INSTALLATION W



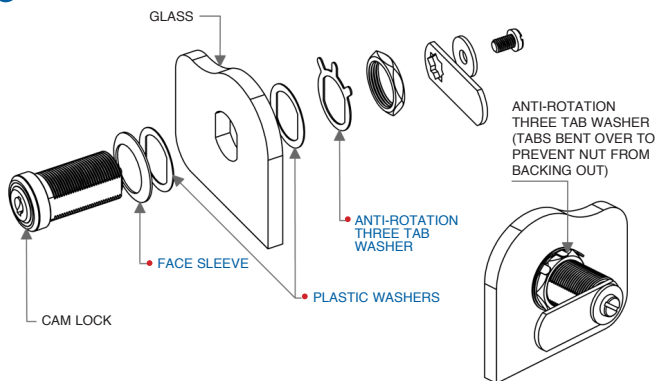
G METAL INSTALLATION M



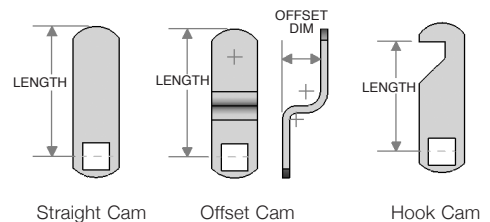
G GLASS INSTALLATION - ROUND HOLE GR



G GLASS INSTALLATION - DOUBLE D HOLE GD



H CAM TYPES



Note: All Offset cams are reversible.