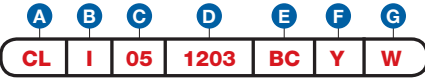


Item Number

To determine your item number enter the **RED** option code for each section as in the example below.



A Lock Style

CL Cam Lock

B Core Type*

I I.C. Core

C Housing Length

05 1-7/16"

D Cam Rotation

	LOCKED	OPEN
0312	3	12
0306	3	6
0603	6	3
0609	6	9
0912	9	12
0906	9	6
1203	12	3
1209	12	9

E Plating Finish

Extended lead-time and plating lot charges **may** apply to Special and Custom finishes.

Special Finish	Finish
BC	Brushed Chrome
PC	Polished Chrome
PB	Polished Brass
SB	Satin Brass
BL	Matte Black
CF	Custom Finish

F Key Retaining

N No
Y Yes

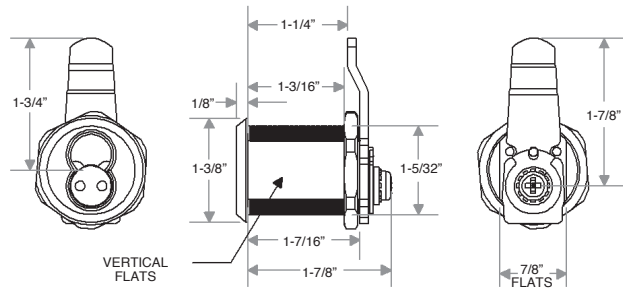
G Material Installation

W	Wood
M	Metal
GR	Glass W/ Round Hole
GD	Glass W/ DD Hole

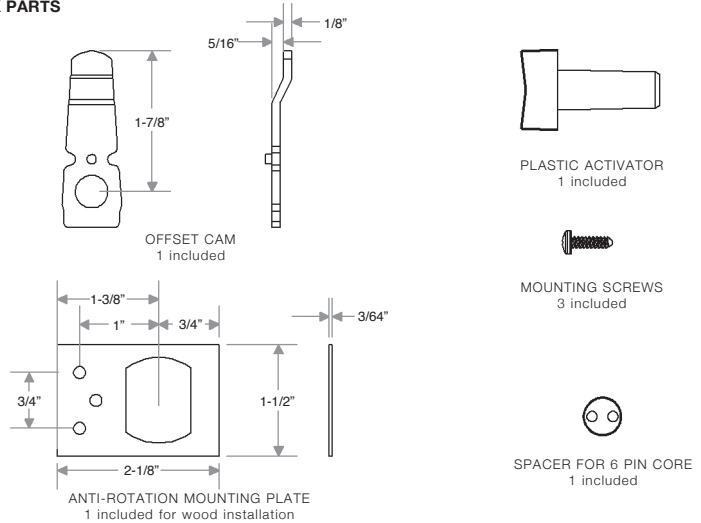
*Cores are not included with this lock.
See page I14 to order cores.



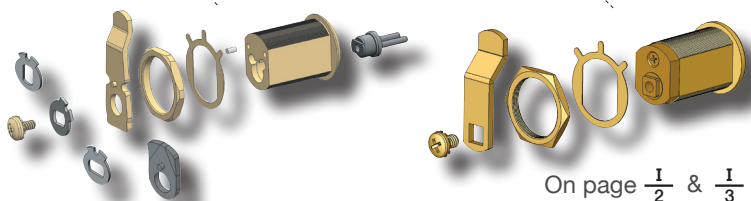
C HOUSING LENGTH 05



LOCK PARTS



CLI05 Old Design vs CLI06 New Design



On page $\frac{1}{2}$ & $\frac{1}{3}$

- You assemble and install
- Less options and complicated to install
- We assemble and you install
- More options and easy to install