

## 0225

## GEAR LOCK



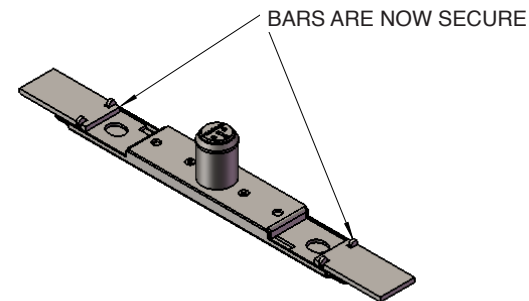
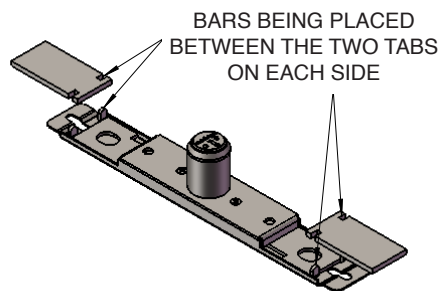
Perfect for use with shutter & tambour doors



The preferred spec for our most elite and globally-known jewelry retail clients



### HOW TO INSTALL BARS



### Available in several finishes



The Gear Lock features a higher level of security, restrictive keyways and is available in several different finishes. Perfect for use with shutter and tambour doors.

### BENEFITS

- Features a 2 point locking system
- 1½" bolt travel for maximum engagement
- Available in multiple keyways and plating finishes
- Features a Removable Core option