

Data Sheet

Item Number

To determine your item number choose one **RED** option code from each section below.

- A Lock Style**
RL Ratchet Lock

- B Core Type**
M Medeco® Biaxial
H Medeco® Biaxial m³

- C Housing Style**
60 Ratchet

- D Bar Type**
B1 Standard
B2 Adjustable
B5 Stick on Outer Surface
New **B9** Stick on Inner Surface

- E Plating Finish**
PN Polished Nickel
w/Satin Chrome Core
CF Custom Finish

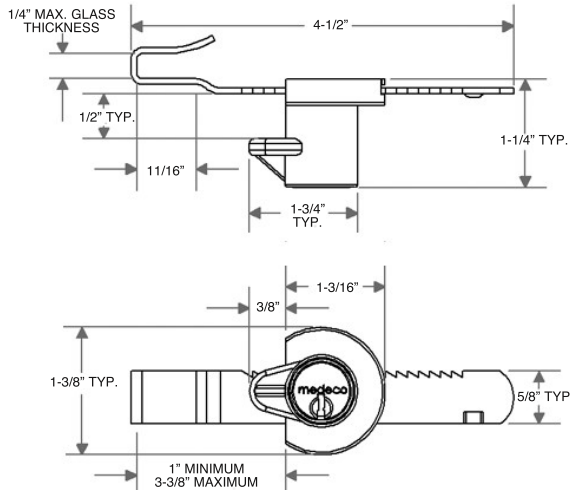
- F Key Retaining**
N No

- G Keyed Different**
N No
Y Yes

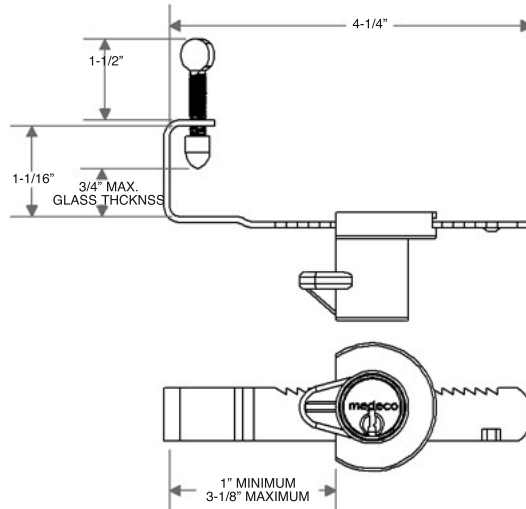
- H Stamp Lock**
N No
Y Yes

- I Master Keyed**
N No
Y Yes
G Grand Master

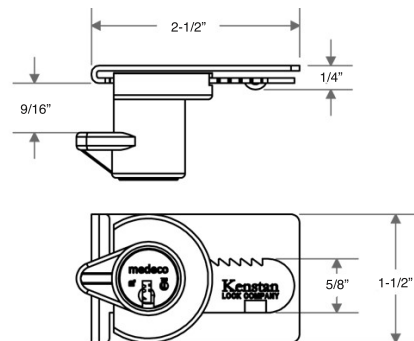
D STANDARD BAR B1



D ADJUSTABLE BAR B2



D STICK ON BAR (Outer Surface) B5



D STICK ON BAR (Inner Surface) B9

