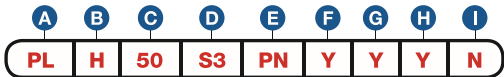


Data Sheet

**Item Number**

To determine your item number enter the **RED** option code for each section as in the example below.



**A Lock Style**

**PL** Plunger Lock

**B Core Type**

- M** Medeco® Biaxial  
1-1/4" Housing Length
- H** Medeco® Biaxial m<sup>3</sup>  
1-1/4" Housing Length
- R** Removable Core  
1-5/8" Housing Length
- G** Removable Core m<sup>3</sup>  
1-5/8" Housing Length

**C Housing Style**

**50** Round Flange

**D Plunger Type/Length**

**S SERIES**

- S1** 3/8"
- S2** 7/16"
- S3** 5/8"

**T SERIES**

- T1+** 1/4"
- T3+** 9/16"

**L SERIES**

- L3+** 3/8"

**ROUND SERIES**

- R1\*** 3/8"
- R2\*** 7/16"
- R3\*** 9/16"

**ROUND EXTENDED SERIES**

- R4\*** 1-3/16"
- R5\*** 1-5/16"
- R6\*** 1-11/16"
- R7\*** 2-7/16"

**E Plating Finish**

- PN** Polished Nickel  
w/Satin Chrome Core
- PB** Polished Brass
- SB** Satin Brass
- BL** Matte Black
- ST** Statuary Bronze
- CF** Custom Finish

**F Key Retaining**

- N** No
- Y** Yes

**G Keyed Different**

- N** No
- Y** Yes

**H Stamp Lock**

- N** No
- Y** Yes

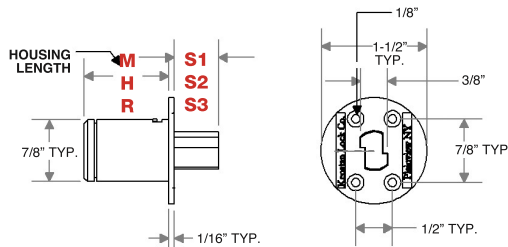
**I Master Keyed**

- N** No
- Y** Yes
- G** Grand Master

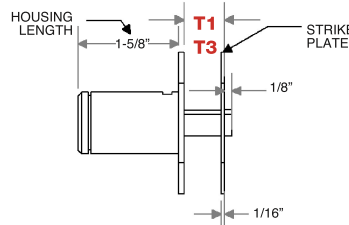


Patented All dimensions shown are in the locked position.

**D S SERIES** (Parts included same as Round Series)



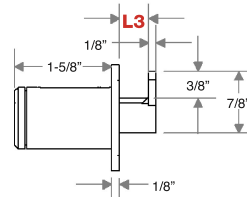
**D T SERIES**



PARTS INCLUDED	QTY.
(a) DOUGHNUT	2
(b) J BRACKET (anti-rotation)	1
(c) PLASTIC WASHER	4
(d) PLASTIC SPACER	2
(e) SCREW	8
(f) STRIKE PLATE	1

+ Available only in 1-5/8" Housing Length

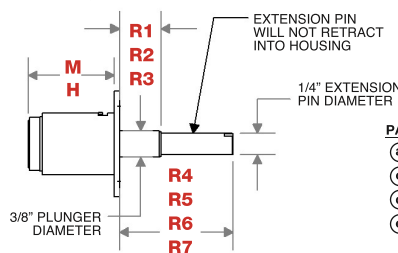
**D L SERIES**



PARTS INCLUDED	QTY.
(a) DOUGHNUT	1
(b) J BRACKET (anti-rotation)	1
(c) PLASTIC WASHER	2
(d) PLASTIC SPACER	1
(e) SCREW	4

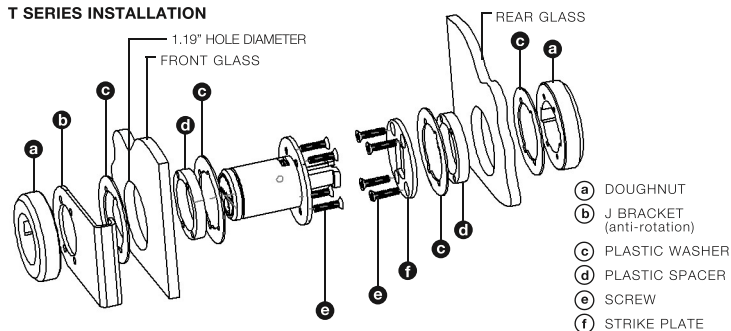
+ Available only in 1-5/8" Housing Length

**D ROUND SERIES** (Plunger travels 9/16")



PARTS INCLUDED	QTY.
(a) DOUGHNUT	1
(c) PLASTIC WASHER	2
(d) PLASTIC SPACER	1
(e) SCREW	4

**T SERIES INSTALLATION**



\*Not available in Removable Core.