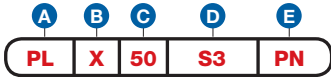




Item Number

To determine your item number enter the **RED** option code for each section as in the example below.



A Lock Style

PL Plunger Lock

B Core Type

X Knob

C Housing Style

50 Round Flange

D Plunger Type/Length

S SERIES

- S1** 3/8"
- S2** 7/16"
- S3** 5/8"

T SERIES

- T1** 1/4"
- T3** 9/16"

L SERIES

- L3** 3/8"

ROUND SERIES

- R1** 3/8"
- R2** 7/16"
- R3** 5/8"

ROUND EXTENDED SERIES

- R4** 1-3/16"
- R5** 1-5/16"
- R6** 1-11/16"
- R7** 2-7/16"

E Plating Finish

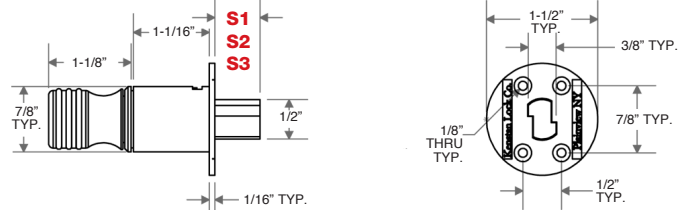
Extended lead-time and plating lot charges may apply to Special and Custom finishes.

- | | |
|----------------|---------------------------|
| Special Finish | PN Polished Nickel |
| | SN Satin Nickel |
| | PB Polished Brass |
| | SB Satin Brass |
| | BL Matte Black |
| | ST Statuary Bronze |
| | CF Custom Finish |

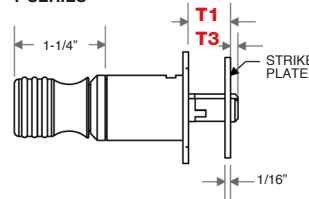


All dimensions shown are in the locked position.

D S SERIES (Parts included same as Round Series)

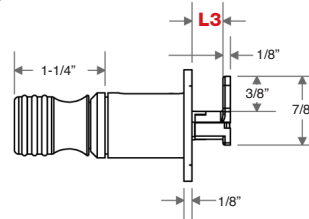


D T SERIES



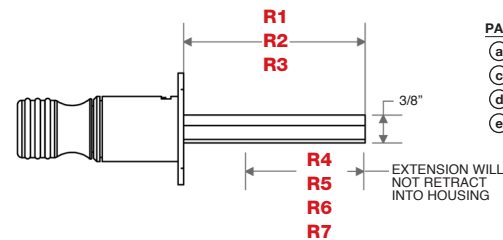
PARTS INCLUDED	QTY.
(a) DOUGHNUT	2
(b) J BRACKET (anti-rotation)	1
(c) PLASTIC WASHER	4
(d) PLASTIC SPACER	2
(e) SCREW	8
(f) STRIKE PLATE	1

D L SERIES



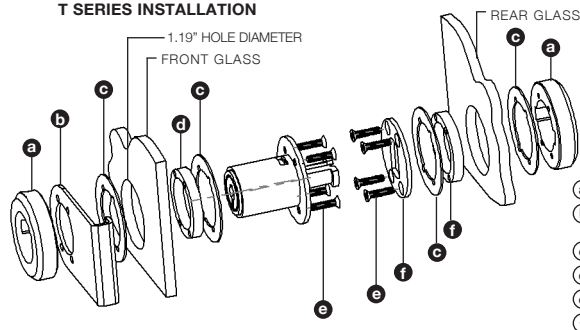
PARTS INCLUDED	QTY.
(a) DOUGHNUT	1
(b) J BRACKET (anti-rotation)	1
(c) PLASTIC WASHER	2
(d) PLASTIC SPACER	1
(e) SCREW	4

D ROUND SERIES (Plunger travels 5/8")



PARTS INCLUDED	QTY.
(a) DOUGHNUT	1
(c) PLASTIC WASHER	2
(d) PLASTIC SPACER	1
(e) SCREW	4

T SERIES INSTALLATION



(a) DOUGHNUT
(b) J BRACKET (anti-rotation)
(c) PLASTIC WASHER
(d) PLASTIC SPACER
(e) SCREW
(f) STRIKE PLATE