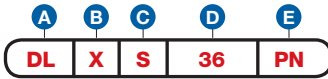


Price List and Data Sheet

Item Number

To determine your item number enter the **RED** option code for each section as in the example below.



A Lock Style
DL Drawer/Door Lock

B Core Type
X Knob

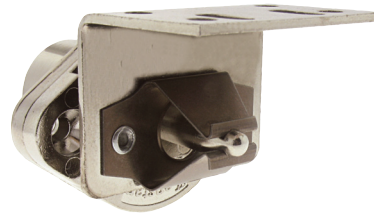
C Housing Length/Style

STANDARD	
S	13/16"
M	1-1/16"
L	1-3/16"
LOW PROFILE	
SL	13/16"

D Bolt Type
SNAP BOLT
36 3/4"

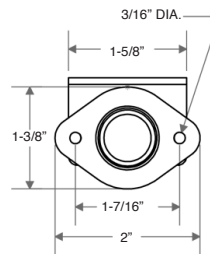
E Plating Finish
Extended lead-time and plating lot charges may apply to Special and Custom finishes.

Special Finish	PN	Polished Nickel
	SN	Satin Nickel
	PB	Polished Brass
	SB	Satin Brass
	BL	Matte Black
	ST	Statuary Bronze
	CF	Custom Finish

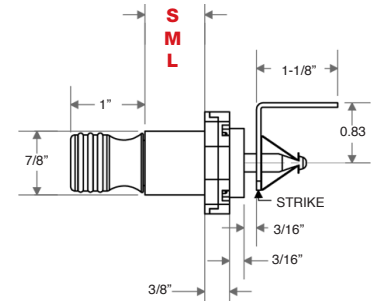


All dimensions shown are in the locked position.

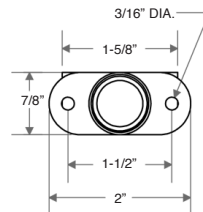
D STANDARD SNAP BOLT



C HOUSING LENGTH



D LOW PROFILE SNAP BOLT



C HOUSING LENGTH

