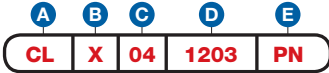


## Item Number

To determine your item number enter the **RED** option code for each section as in the example below.



### A Lock Style

**CL** Cam Lock

### B Core Type

**X** Knob

### C Housing Length

#### MAXIMUM MATERIAL THICKNESS

	WOOD	METAL	GLASS	BARREL LENGTH
<b>04</b>	13/16"	7/8"	11/16"	1-1/8"
<b>05</b>	1"	1-1/16"	7/8"	1-3/8"

### D Cam Rotation

	LOCKED	OPEN
<b>0312</b>	3	12
<b>0306</b>	3	6
<b>0309</b>	3	9
<b>0603</b>	6	3
<b>0612</b>	6	12
<b>0609</b>	6	9
<b>0912</b>	9	12
<b>0903</b>	9	3
<b>0906</b>	9	6
<b>1203</b>	12	3
<b>1206</b>	12	6
<b>1209</b>	12	9

### E Plating Finish

Extended lead-time and plating lot charges **may** apply to Special and Custom finishes.

Special Finish	Code	Description
Special Finish	<b>PN</b>	Polished Nickel
	<b>SN</b>	Satin Nickel
	<b>PB</b>	Polished Brass
	<b>SB</b>	Satin Brass
	<b>BL</b>	Matte Black
	<b>ST</b>	Statuary Bronze
	<b>CF</b>	Custom Finish

### F Material Installation

<b>W</b>	Wood
<b>M</b>	Metal
<b>GR</b>	Glass with Round Hole
<b>GD</b>	Glass with Double "D" Hole
<b>O</b>	Other - No Mounting Hardware



All Cam Locks come with a 1-1/4" Straight Cam unless a different cam is chosen.

### G Cam Type

#### STRAIGHT

<b>101</b>	5/8"
<b>102</b>	3/4"
<b>103</b>	7/8"
<b>104</b>	1"
<b>105</b>	1-1/8"
<b>106</b>	1-1/4"
<b>107</b>	1-3/8"
<b>108</b>	1-1/2"
<b>110</b>	1-3/4"
<b>112</b>	2"
<b>116</b>	2-1/2"

#### 1/8" OFFSET

<b>303</b>	7/8"
<b>306</b>	1-1/4"
<b>308</b>	1-1/2"
<b>312</b>	2"

#### 1/4" OFFSET

<b>403</b>	7/8"
<b>404</b>	1"
<b>406</b>	1-1/4"
<b>408</b>	1-1/2"
<b>410</b>	1-3/4"
<b>412</b>	2"
<b>414</b>	2-1/4"

#### 3/8" OFFSET

<b>504</b>	1"
<b>506</b>	1-1/4"
<b>508</b>	1-1/2"
<b>512</b>	2"

#### 1/2" OFFSET

<b>606</b>	1-1/4"
<b>608</b>	1-1/2"
<b>610</b>	1-3/4"
<b>612</b>	2"

#### 5/8" OFFSET

<b>712</b>	2"
------------	----

#### HOOK

<b>202</b>	3/4"
<b>204</b>	1"
<b>206</b>	1-1/4"
<b>208</b>	1-1/2"
<b>210</b>	1-3/4"

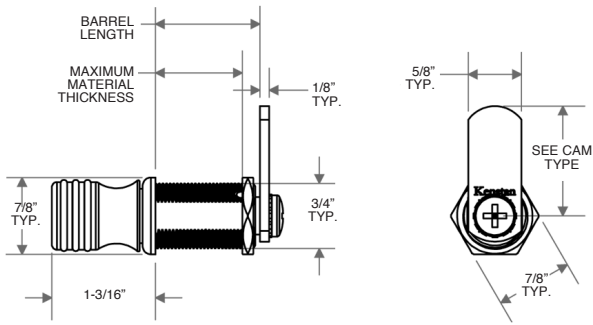
#### CUSTOM CAM

**CL**

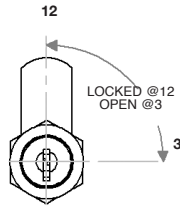
Continued



**C HOUSING LENGTH 01, 02, 03, 04 and 05**

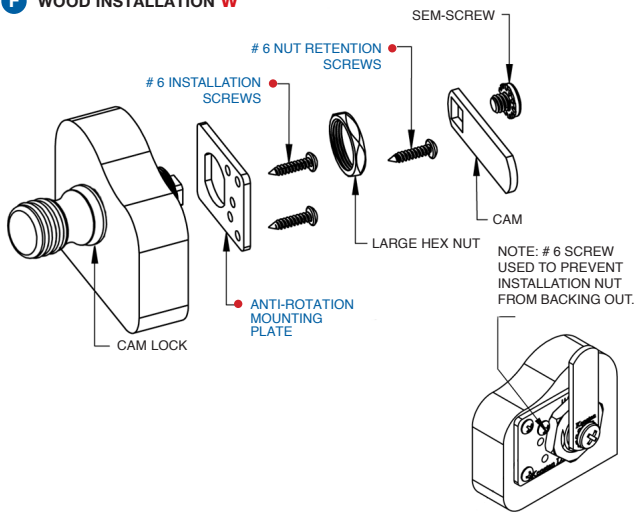


**D CAM ROTATION EXAMPLE**

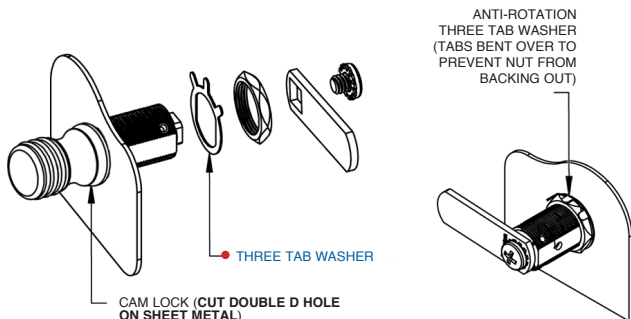


All 180 degree rotations are clockwise, unless specified.

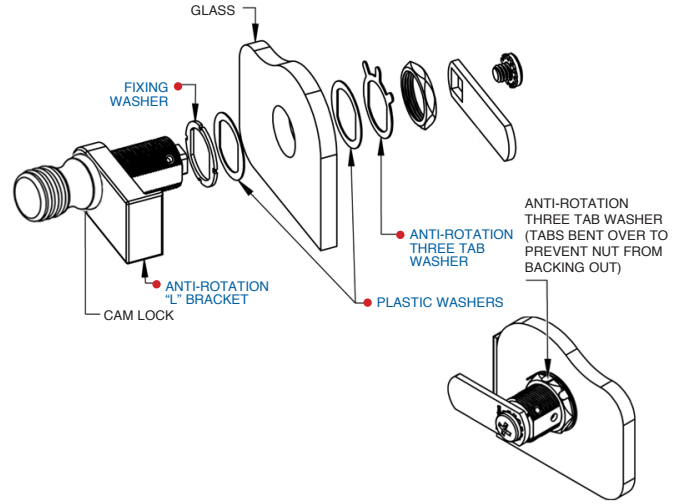
**F WOOD INSTALLATION W**



**F METAL INSTALLATION M**

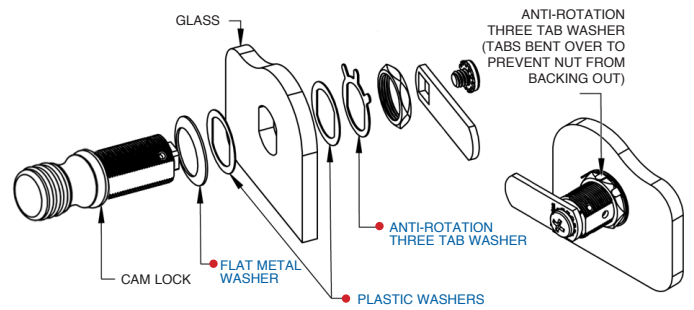


**F GLASS INSTALLATION - ROUND HOLE GR**

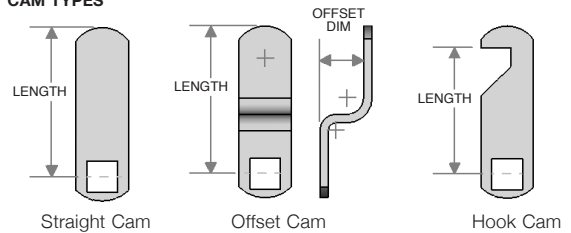


Dimension from center of hole to the edge of glass is 1-1/4"

**F GLASS INSTALLATION - DOUBLE D HOLE GD**



**G CAM TYPES**



Note: All Offset cams are reversible.