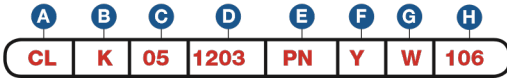


## Item Number

To determine your item number enter the **RED** option code for each section as in the example below.



### A Lock Style

**CL** Cam Lock

### B Core Type

**K** Keymatic

### C Housing Length

#### MAXIMUM MATERIAL THICKNESS

	WOOD	METAL	GLASS	BARREL LENGTH
<b>02</b>	-	7/16"	1/4"	11/16"
<b>03</b>	9/16"	5/8"	1/2"	15/16"
<b>04*</b>	3/4"	7/8"	11/16"	1-1/8"
<b>05</b>	1-1/8"	1-1/8"	1"	1-1/2"
<b>10</b>	1-5/8"	-	-	1-13/16"
<b>11</b>	1-7/8"	-	-	2"
<b>12</b>	2-3/16"	-	-	2-3/8"
<b>13</b>	2-1/2"	-	-	2-13/16"
<b>14</b>	2-3/4"	-	-	3"
<b>15</b>	3"	-	-	3-3/8"

### D Cam Rotation

	LOCKED	OPEN
<b>0312</b>	3	12
<b>0306</b>	3	6
<b>0309</b>	3	9
<b>0603</b>	6	3
<b>0612</b>	6	12
<b>0609</b>	6	9
<b>0912</b>	9	12
<b>0903</b>	9	3
<b>0906</b>	9	6
<b>1203</b>	12	3
<b>1206</b>	12	6
<b>1209</b>	12	9

### E Plating Finish

Extended lead-time and plating lot charges may apply to Special and Custom finishes.

Special Finish	
<b>PN</b>	Polished Nickel
<b>SN</b>	Satin Nickel
<b>PB</b>	Polished Brass
<b>SB</b>	Satin Brass
<b>BL</b>	Matte Black
<b>ST</b>	Statuary Bronze
<b>CF</b>	Custom Finish

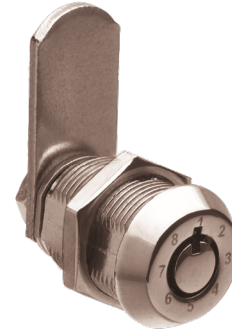
### F Key Retaining

**Y** Yes  
**N** No

### G Material Installation

**W** Wood  
**M** Metal  
**GR** Glass with Round Hole  
**GD** Glass with Double "D" Hole  
**O** Other - No Mounting Hardware

**Note:** Keys are not included with this lock. See page 12 to order keys.



**Note:** All Cam Locks come with a 1-1/4" Straight Cam unless a different cam is chosen.

### H Cam Type

#### STRAIGHT

<b>101</b>	5/8"
<b>102</b>	3/4"
<b>103</b>	7/8"
<b>104</b>	1"
<b>105</b>	1-1/8"
<b>106</b>	1-1/4"
<b>107</b>	1-3/8"
<b>108</b>	1-1/2"
<b>110</b>	1-3/4"
<b>112</b>	2"
<b>116</b>	2-1/2"

#### 1/8" OFFSET

<b>303</b>	7/8"
<b>306</b>	1-1/4"
<b>308</b>	1-1/2"
<b>312</b>	2"

#### 1/4" OFFSET

<b>403</b>	7/8"
<b>404</b>	1"
<b>406</b>	1-1/4"
<b>408</b>	1-1/2"
<b>410</b>	1-3/4"
<b>412</b>	2"
<b>414</b>	2-1/4"

#### 3/8" OFFSET

<b>504</b>	1"
<b>506</b>	1-1/4"
<b>508</b>	1-1/2"
<b>512</b>	2"

#### 1/2" OFFSET

<b>606</b>	1-1/4"
<b>608</b>	1-1/2"
<b>610</b>	1-3/4"
<b>612</b>	2"

#### 5/8" OFFSET

<b>712</b>	2"
------------	----

#### HOOK

<b>202</b>	3/4"
<b>204</b>	1"
<b>206</b>	1-1/4"
<b>208</b>	1-1/2"
<b>210</b>	1-3/4"

#### PIN CAM

**P604** 9/16" offset

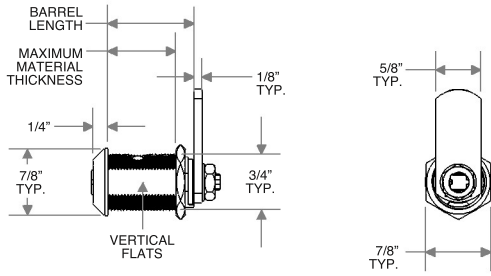
#### FOR SWITCH KIT

**SL** No Cam\*

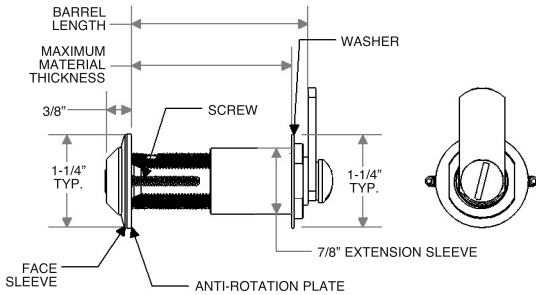
\*Switch option available. See Page A10 to order switch kit.

Continued

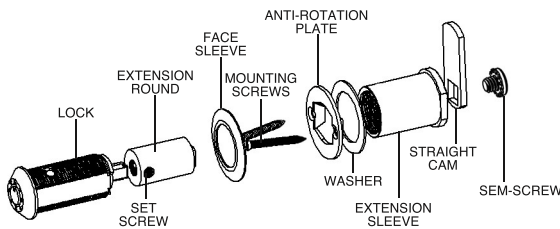
**C HOUSING LENGTHS 02, 03, 04 and 05**



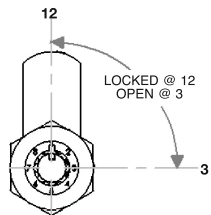
**C HOUSING LENGTHS 10, 11, 12, 13, 14 and 15**



**CAM LOCK - EXPLODED VIEW**

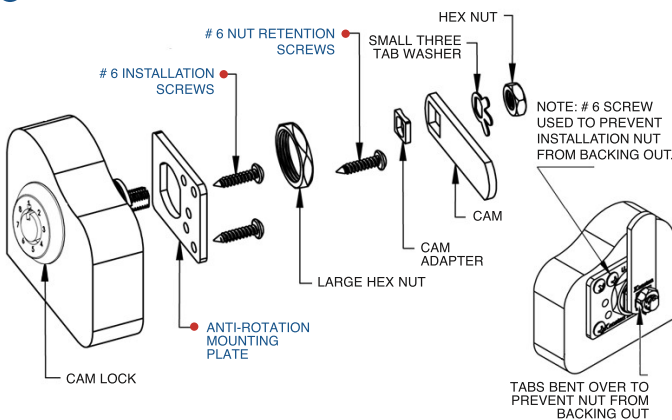


**D CAM ROTATION EXAMPLE**

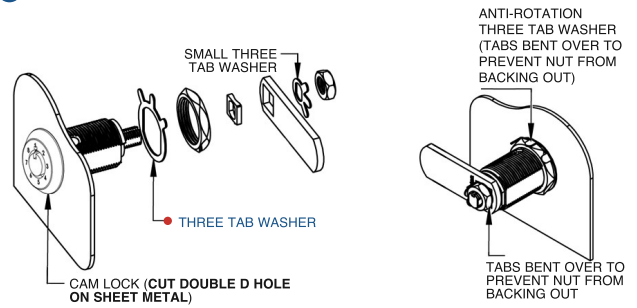


All 180 degree rotations are clockwise, unless specified.

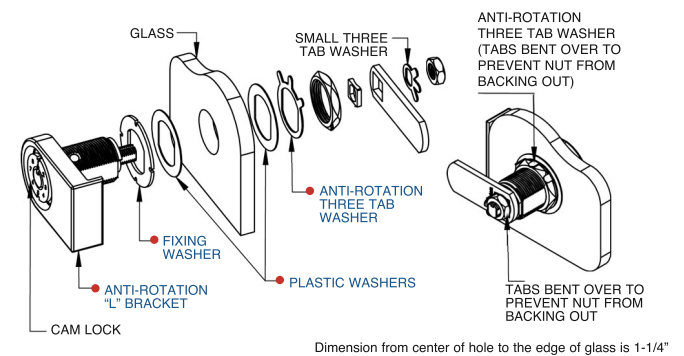
**G WOOD INSTALLATION W**



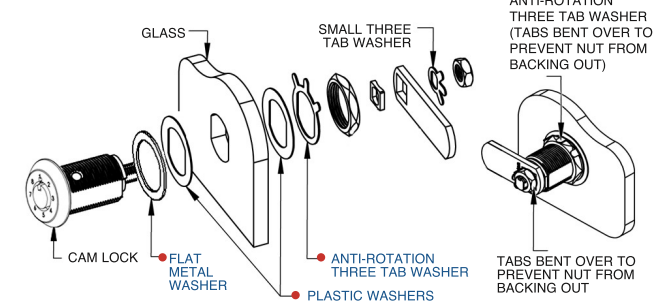
**G METAL INSTALLATION M**



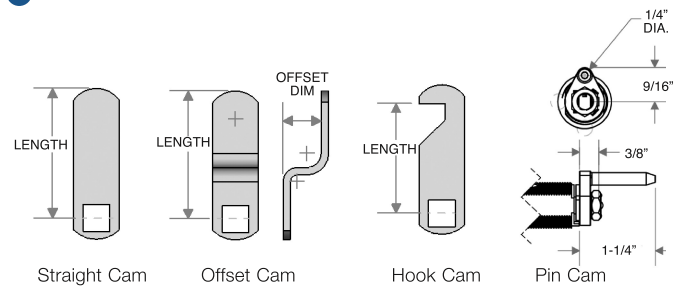
**G GLASS INSTALLATION - ROUND HOLE GR**



**G GLASS INSTALLATION - DOUBLE D HOLE GD**



**H CAM TYPES**



**Note:** All Offset cams are reversible.