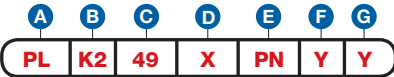


**Item Number**

To determine your item number enter the **RED** option code for each section as in the example below.

**A Lock Style**

**PL** Plunger Lock

**B Core Type**

**K2** K<sup>2</sup> Keymatic Pull

**C Housing Style**

**49** Through the Track Plunger

**D Plunger Type**

**X** No Option

**C Plating Finish**

Extended lead-time and plating lot charges **may** apply to Special and Custom finishes.

**PN** Polished Nickel  
**SN** Satin Nickel  
**CF** Custom Finish

**F Key Retaining**

**N** No  
**Y** Yes

**G Insert Core**

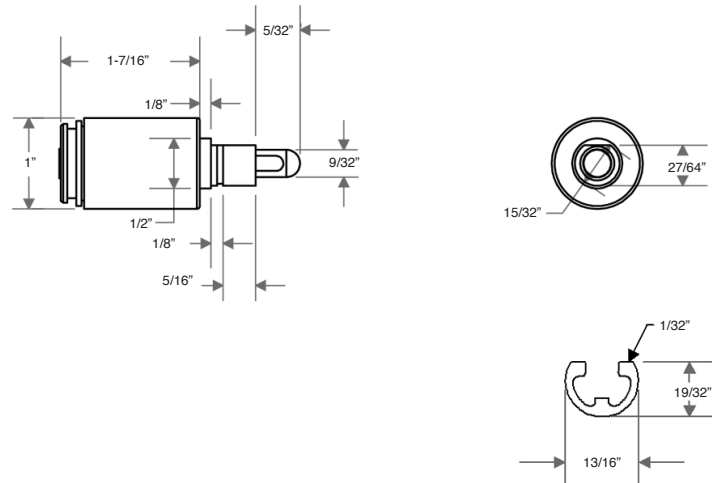
**Y** Yes  
**N** Pack Core Separately  
**ND** Ship Core to Different Location

**Note:** Keys are not included with this lock. See page 17 to order keys.



"Throw" (distance bolt travels from the locked to unlocked position) is 7/16".

All dimensions shown are in the locked position.

**THROUGH THE TRACK PLUNGER****ISOMETRIC VIEW WITH METAL TRACK**