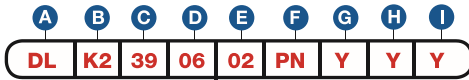


Data Sheet

Item Number

To determine your item number enter the **RED** option code for each section as in the example below.



- A Lock Style**
DL Door Lock

- B Core Type**
K2 K² Keymatic Pull

- C Housing Style**
39 Glass Mount Housing

- D Locked Position**
06 6
12 12
03 3
09 9

- E Bolt Length**
01 15/16"
02 1-13/32" (Standard)

- F Plating Finish**
Extended lead-time and plating lot charges may apply to Special and Custom finishes.
Special Finish [PN Polished Nickel
SN Satin Nickel
PB Polished Brass
SB Satin Brass
BL Matte Black
ST Statuary Bronze
CF Custom Finish

- G Key Retaining**
N No
Y Yes

- H Insert Core**
Y Yes
N Pack Core Separately
ND Ship Core to Different Location

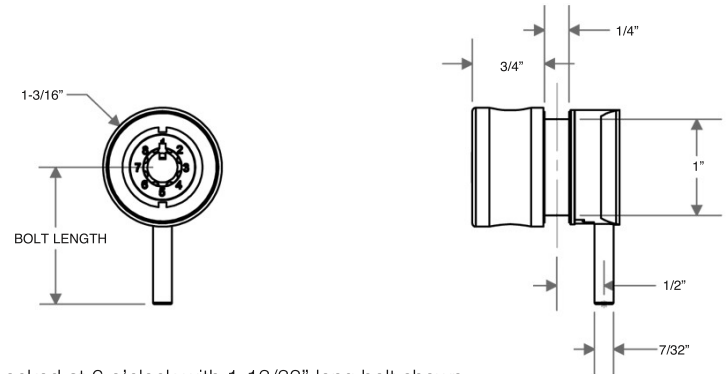
- I Strike**
N No
01 Cup Strike

Note: Keys are not included with this lock. See page 16 to order keys.



“Throw” (distance bolt travels from the locked to unlocked position) is 0.29
All dimensions shown are in the locked position.

GLASS DOOR LOCK (For 1/4" glass application)



Locked at 6 o'clock with 1-13/32" long bolt shown.

EXPLODED VIEW

