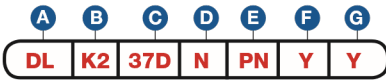


Data Sheet

Item Number

To determine your item number enter the **RED** option code for each section as in the example below.



A Lock Style	DL Door Lock
B Core Type	K2 K ² Keymatic Pull
C Housing Style/Bolt	37D Dual Gear Lock (Std.) 37S Single Gear Lock
D Bar Length	N No Bar (Standard) C Custom
E Plating Finish	Extended lead-time and plating lot charges may apply to Special and Custom finishes.
Special Finish	PN Polished Nickel SN Satin Nickel PB Polished Brass SB Satin Brass BL Matte Black ST Statuary Bronze CF Custom Finish
F Key Retaining	N No Y Yes
G Insert Core	Y Yes N Pack Core Separately ND Ship Core to Different Location

Material Installation

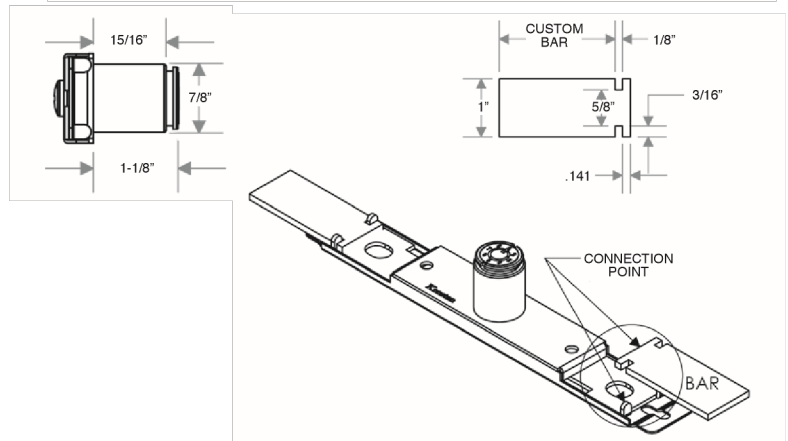
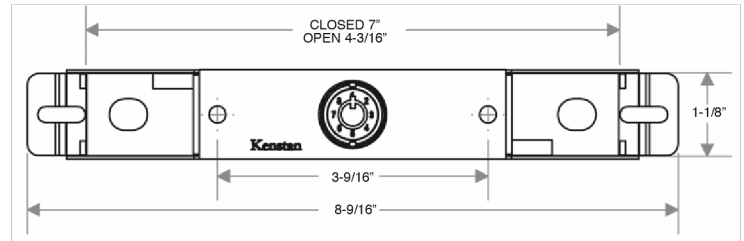
W Wood
M Metal

Note: Keys are not included with this lock. See page 16 to order keys.

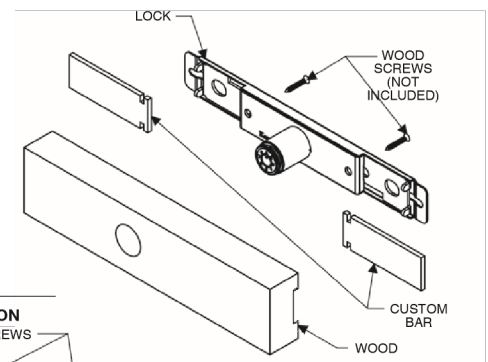


"Throw" (distance bolt travels from the locked to unlocked position) is 1.16" per side
All dimensions shown are in the locked position.

GEAR LOCK



EXPLODED VIEW WOOD INSTALLATION



EXPLODED VIEW METAL INSTALLATION

