

Item Number

To determine your item number enter the **RED** option code for each section as in the example below.

A	B	C	D	E	F	G	H
CL	K3	05	1203	PN	Y	W	106

A Lock Style

CL Cam Lock

B Core Type

K3 K³ Keymatic Pull

C Housing Length

	MAXIMUM MATERIAL THICKNESS			BARREL LENGTH
	WOOD	METAL	GLASS	
02	-	7/16"	5/16"	11/16"
03	1/2"	5/8"	1/2"	15/16"
04*	3/4"	13/16"	11/16"	1-1/8"
05	1-1/8"	1-3/16"	1"	1-1/2"
10	1-5/8"	-	-	1-13/16"
11	1-13/16"	-	-	2"
12	2-1/8"	-	-	2-3/8"
13	2-1/2"	-	-	2-13/16"
14	2-11/16"	-	-	3"
15	3"	-	-	3-3/8"

D Cam Rotation

	LOCKED	OPEN
0312	3	12
0306	3	6
0309*	3	9
0603	6	3
0612*	6	12
0609	6	9
0912	9	12
0903*	9	3
0906	9	6
1203	12	3
1206*	12	6
1209	12	9

E Plating Finish

Extended lead-time and plating lot charges may apply to Special and Custom finishes.

Special Finish	
PN	Polished Nickel
SN	Satin Nickel
PB	Polished Brass
SB	Satin Brass
BL	Matte Black
ST	Statuary Bronze
CF	Custom Finish

F Key Retaining

* Note: This option will eliminate the KEYPULL feature.

Y	Yes
N*	No

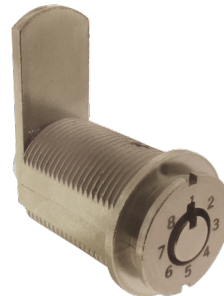
G Material Installation

W	Wood
WF	Wood Flush Mount
M	Metal
GR	Glass with Round Hole
GD	Glass with Double "D" Hole
O	Other - No Mounting Hardware

Note: Keys are not included with this lock.

See page 16 to order keys.

*Cam rotations are 170 degrees on key retaining locks. All 170 or 180 degree cam locks are clockwise, unless specified.



Note: All Cam Locks come with a 1-1/4" Straight Cam unless a different cam is chosen.

H Cam Type

STRAIGHT

101	5/8"
102	3/4"
103	7/8"
104	1"
105	1-1/8"
106	1-1/4"
107	1-3/8"
108	1-1/2"
110	1-3/4"
112	2"
116	2-1/2"

1/8" OFFSET

303	7/8"
306	1-1/4"
308	1-1/2"
312	2"

1/4" OFFSET

403	7/8"
404	1"
406	1-1/4"
408	1-1/2"
410	1-3/4"
412	2"
414	2-1/4"

3/8" OFFSET

504	1"
506	1-1/4"
508	1-1/2"
512	2"

1/2" OFFSET

606	1-1/4"
608	1-1/2"
610	1-3/4"
612	2"

5/8" OFFSET

712	2"
------------	----

HOOK

202	3/4"
204	1"
206	1-1/4"
208	1-1/2"
210	1-3/4"

PIN CAM

P604	9/16" offset
-------------	--------------

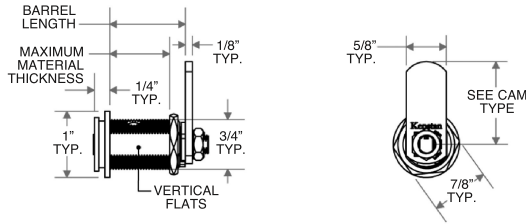
FOR SWITCH KIT

SL	No Cam*
-----------	---------

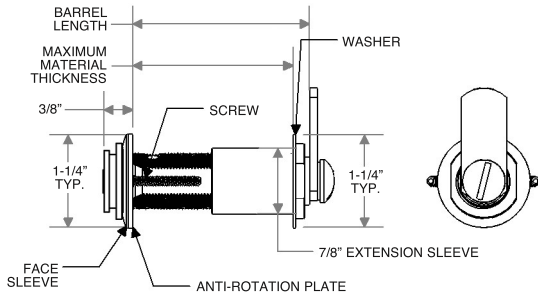
*Switch option available. See Page A10 to order switch kit.

Continued

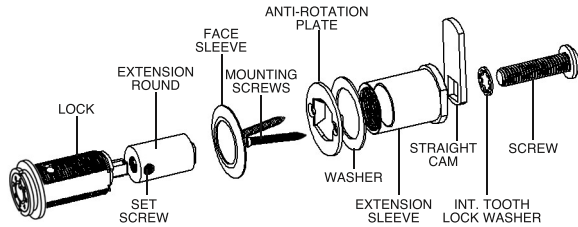
C HOUSING LENGTHS 02, 03, 04 and 05



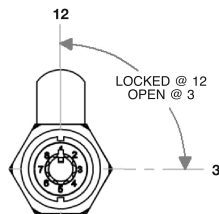
C HOUSING LENGTHS 10, 11, 12, 13, 14 and 15



CAM LOCK - EXPLODED VIEW

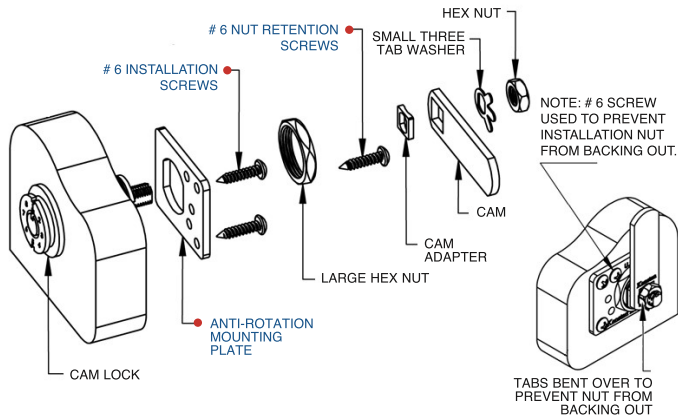


D CAM ROTATION EXAMPLE

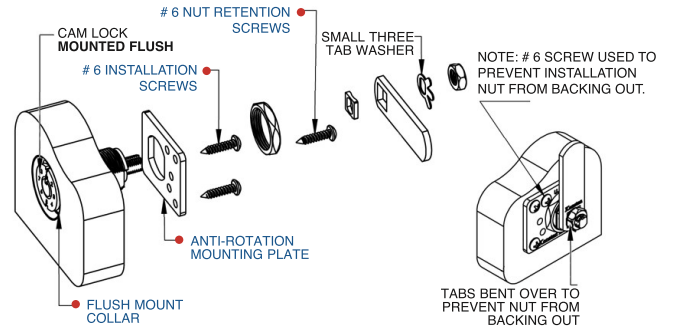


All 180 degree rotations are clockwise, unless specified.

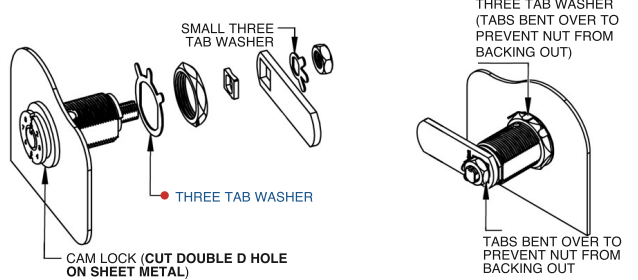
G WOOD INSTALLATION W



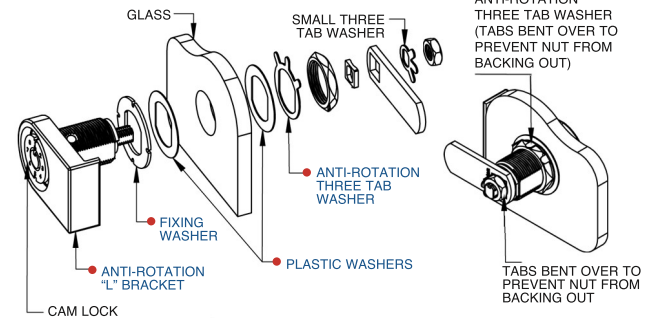
G WOOD INSTALLATION FLUSH MOUNT WF



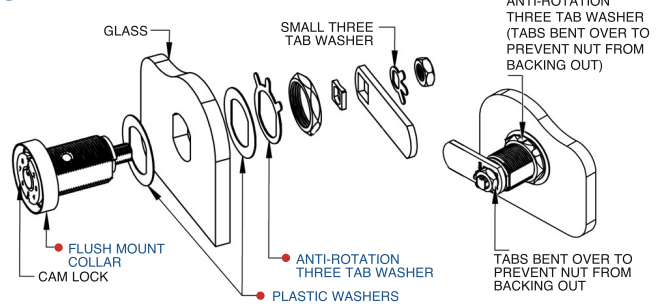
G METAL INSTALLATION M



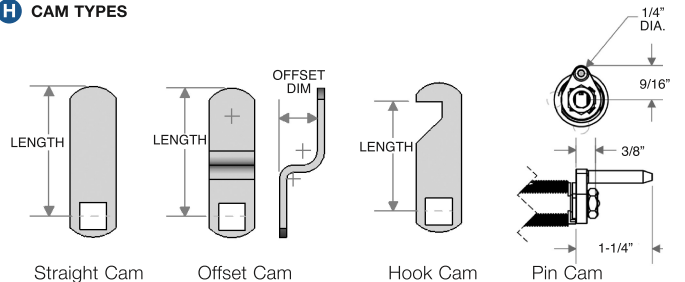
G GLASS INSTALLATION - ROUND HOLE GR



G GLASS INSTALLATION - DOUBLE D HOLE GD



H CAM TYPES



Note: All Offset cams are reversible.