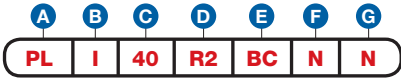


**Item Number**

To determine your item number enter the **RED** option code for each section as in the example below.



**A Lock Style**

**PL** Plunger Lock

**B Core Type\***

**I** I.C. Core

**C Housing Style**

**40** Oval Flange

**D Plunger Type/Length**

**ROUND**

**R2** 1/2"

**T SERIES**

**T1** 1/4"

**E Plating Finish**

Extended lead-time and plating lot charges may apply to Special and Custom finishes.

Special Finish	<b>BC</b> Brushed Chrome
	<b>PC</b> Polished Chrome
	<b>PB</b> Polished Brass
	<b>SB</b> Satin Brass
	<b>CF</b> Custom Finish

**F Key Retaining**

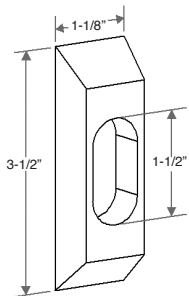
**N** No  
**Y** Yes

**G Through Bolt Mount Kit**

**N** No  
**YP** Mounting Post Kit  
**YS** Support Plate Small

\*Cores are not included with this lock. See page I14 to order cores.

**SMALL SUPPORT PLATE YS**

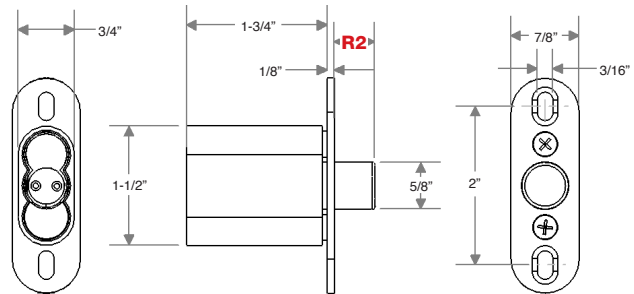


Screws are included at no charge.

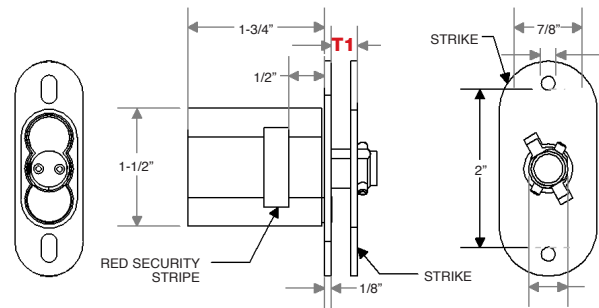


All dimensions shown are in the locked position.

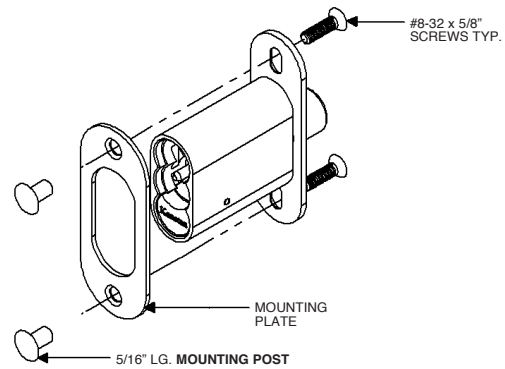
**D ROUND SERIES** (Plunger travels 1/2")



**D T SERIES**



**PLI40R2BCNYP - EXPLODED VIEW WITH YP MOUNTING KIT**



**Note:** Through Bolt Mount Kit is for 3/4" maximum material thickness.