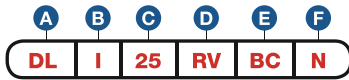


Price List and Data Sheet

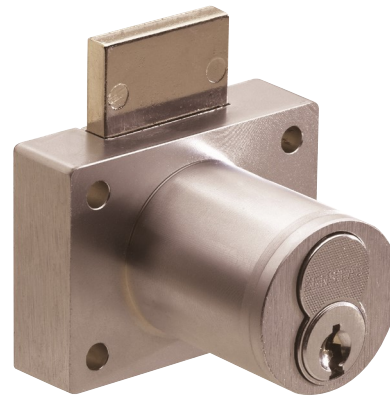
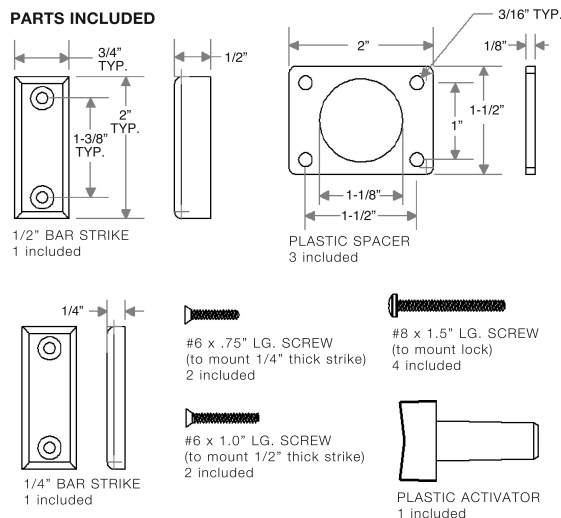
Item Number

To determine your item number enter the **RED** option code for each section as in the example below.



- A Lock Style**
DL Drawer/Door Lock
- B Core Type***
I I.C. Core
- C Housing Length/Bolt Type**
1-1/4" HOUSING LENGTH (STD.)
25 Dead Bolt
1-3/8" EXTRA LONG HOUSING
New **L25*** Dead Bolt
**Brush Chrome finish only*
- D Housing Style**
RIM SERIES
RR Right
RL Left
RI Inverted
RV Vertical
- E Plating Finish**
Extended lead-time and plating lot charges may apply to Special and Custom finishes.
BC Brushed Chrome
PC Polished Chrome
PB Polished Brass
BL Matte Black
CF Custom Finish
- F Key Retaining**
N No
Y Yes

*Cores are not included with this lock. See page I14 to order cores.



"Throw" (distance bolt travels from the locked to unlocked position) is 23/32". All dimensions shown are in the locked position.

