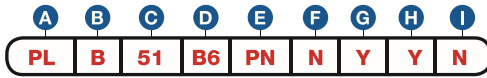


Item Number

To determine your item number enter the **RED** option code for each section as in the example below.



A Lock Style

PL Plunger Lock

B Core Type

B Kenstan B Keyway
D 54G Keyway

C Housing Style

51 Key Hole Lock

D Material Thickness/Plunger

	MATERIAL THICKNESS	PLUNGER LENGTH
SHORT BACK 1.20		
B3	1/4"	3/4" Std.
B4	3/8"	5/8"
LONG BACK 2.08		
B6	1/4"	1-1/2" Std.
B7	3/8"	1-3/8"
B8	7/8"	1-1/32"

E Plating Finish

Extended lead-time and plating lot charges **may** apply to Special and Custom finishes.

Special Finish	Code	Finish
	PN	Polished Nickel
	SN	Satin Nickel
	PB	Polished Brass
	SB	Satin Brass
	BL	Matte Black
	ST	Statuary Bronze
	CF	Custom Finish

F Key Retaining

N No
Y Yes

G Keyed Different

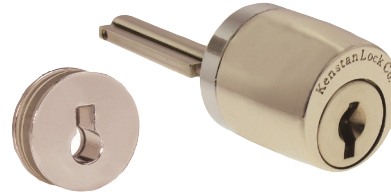
N No
Y Yes

H Stamp Lock

N No
Y Yes

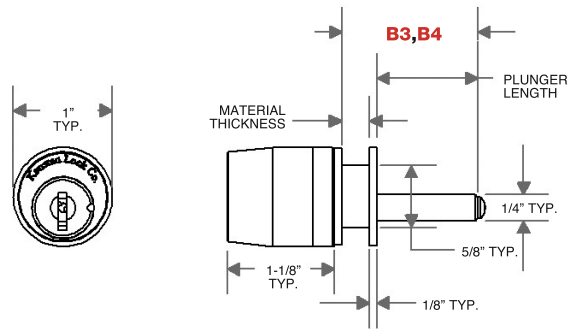
I Master Keyed

N No
Y Yes

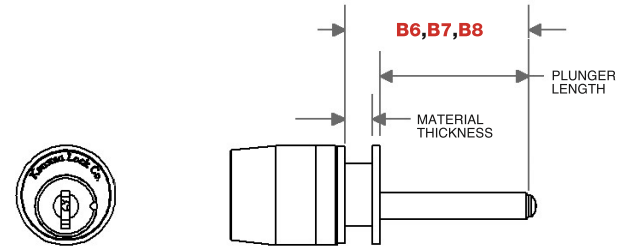


All dimensions shown are in the locked position.

D SHORT PLUNGER



D LONG PLUNGER



KEY HOLE LOCK - EXPLODED VIEW

