

Data Sheet

Item Number

To determine your item number choose one **RED** option code from each section below.

A Lock Style

PL Plunger Lock

B Core Type

B Kenstan B Keyway
BR Kenstan B Keyway Removable Core
D 54G Keyway
DR 54G Keyway Removable Core

C Housing Style

50 Round Flange

D Plunger Type/Length

S SERIES

S1 3/8"
S2 7/16"
S3 5/8"

T SERIES

T1 1/4"
T3 9/16"

L SERIES

L3 3/8"

ROUND SERIES

R1 3/8"
R2 7/16"
R3 5/8"

ROUND EXTENDED SERIES

R4 1-3/16"
R5 1-5/16"
R6 1-11/16"
R7 2-7/16"

E Plating Finish

Extended lead-time and plating lot charges may apply to Special and Custom finishes.

PN Polished Nickel
SN Satin Nickel
PB Polished Brass
SB Satin Brass
BL Matte Black
ST Statuary Bronze
CF Custom Finish

F Key Retaining

N No
Y Yes

G Keyed Different

N No
Y Yes

H Stamp Lock

N No
Y Yes

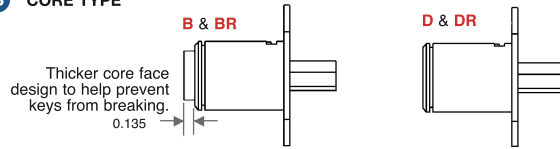
I Master Keyed

N No
Y Yes

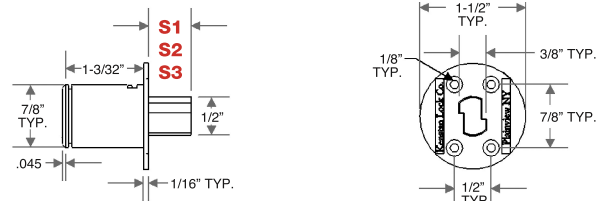


All dimensions shown are in the locked position.

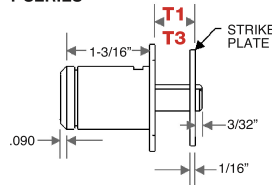
B CORE TYPE



D S SERIES (Parts included same as Round Series)

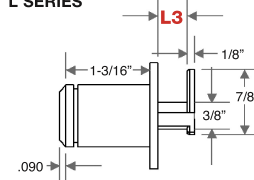


D T SERIES



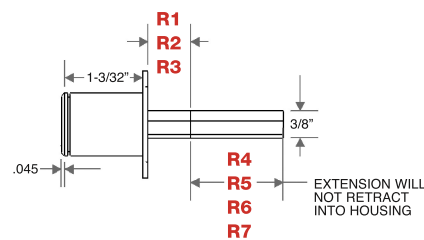
PARTS INCLUDED	QTY.
(a) DOUGHNUT	2
(b) J BRACKET (anti-rotation)	1
(c) PLASTIC WASHER	4
(d) PLASTIC SPACER	2
(e) SCREW	8
(f) STRIKE PLATE	1

D L SERIES



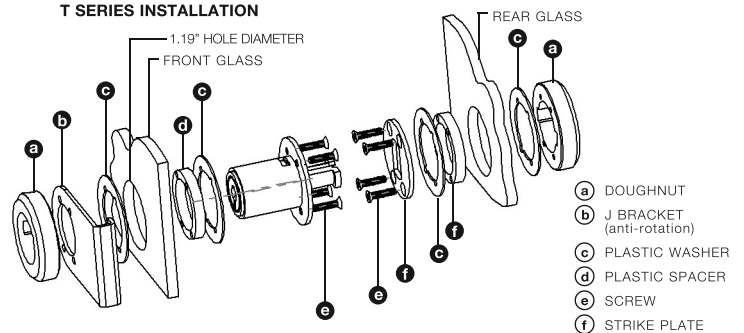
PARTS INCLUDED	QTY.
(a) DOUGHNUT	1
(b) J BRACKET (anti-rotation)	1
(c) PLASTIC WASHER	2
(d) PLASTIC SPACER	1
(e) SCREW	4

D ROUND SERIES (Plunger travels 5/8")



PARTS INCLUDED	QTY.
(a) DOUGHNUT	1
(c) PLASTIC WASHER	2
(d) PLASTIC SPACER	1
(e) SCREW	4

T SERIES INSTALLATION



(a) DOUGHNUT
(b) J BRACKET (anti-rotation)
(c) PLASTIC WASHER
(d) PLASTIC SPACER
(e) SCREW
(f) STRIKE PLATE