

Data Sheet

Item Number

To determine your item number enter the **RED** option code for each section as in the example below.



- A Lock Style**
PL Plunger Lock

- B Core Type**
B Kenstan B Keyway
D 54G Keyway

- C Housing Style**
49 Through the Track Plunger

- D Plunger Type**
X No Option

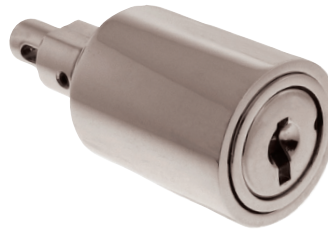
- E Plating Finish**
 Extended lead-time and plating lot charges may apply to Special and Custom finishes.
PN Polished Nickel
SN Satin Nickel
CF Custom Finish

- F Key Retaining**
N No
Y Yes

- G Keyed Different**
N No
Y Yes

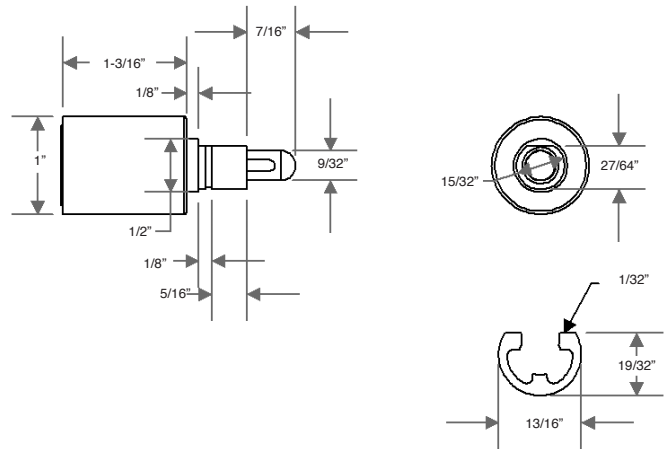
- H Stamp Lock**
N No
Y Yes

- I Master Keyed**
N No
Y Yes



All dimensions shown are in the locked position.

THROUGH THE TRACK PLUNGER



ISOMETRIC VIEW WITH METAL TRACK

