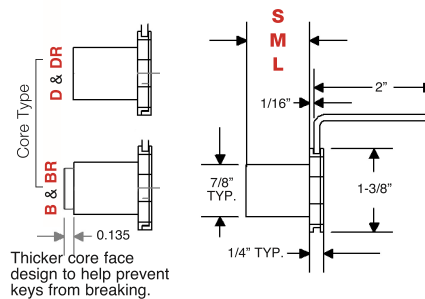


Data Sheet

A Lock Style	GL Gang Lock
B Core Type	<p>B Kenstan B Keyway</p> <p>BR Kenstan B Keyway Removable Core</p> <p>D 54G Keyway</p> <p>DR 54G Keyway Removable Core</p>
C Housing Length	<p>S 13/16"</p> <p>M 1-1/16"</p> <p>L 1-3/16"</p>
D Mount Style/Bar Length	<p>FRONT MOUNT LOCKED UP</p> <p>2424 24"</p> <p>2436 36"</p> <p>2448 48"</p> <p>24CL Custom</p> <p>24NO No Bar</p> <p>SIDE MOUNT LOCKED UP</p> <p>2624 24"</p> <p>2636 36"</p> <p>2648 48"</p> <p>26CL Custom</p> <p>FRONT MOUNT LOCKED DOWN</p> <p>2824 24"</p> <p>2836 36"</p> <p>2848 48"</p> <p>28CL Custom</p> <p>28NO No Bar</p> <p>SIDE MOUNT LOCKED DOWN</p> <p>3024 24"</p> <p>3036 36" <i>Non Key Retaining Only</i></p> <p>3048 48" <i>Non Key Retaining Only</i></p> <p>30CL Custom</p>
E Plating Finish	<p>Extended lead-time and plating lot charges may apply to Special and Custom finishes.</p> <p>PN Polished Nickel</p> <p>SN Satin Nickel</p> <p>PB Polished Brass</p> <p>SB Satin Brass</p> <p>BL Matte Black</p> <p>ST Statuary Bronze</p> <p>CF Custom Finish</p>
F Key Retaining	<p>"Side Mount Locked Down" available in Non Key Retaining only.</p> <p>N No</p> <p>Y Yes</p>
G Keyed Different	<p>N No</p> <p>Y Yes</p>
H Stamp Lock	<p>N No</p> <p>Y Yes</p>
I Master Keyed	<p>N No</p> <p>Y Yes</p>

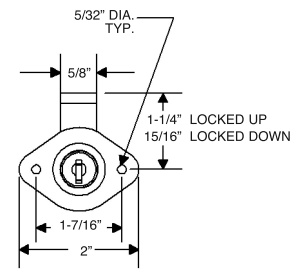
"Throw" (distance bolt travels from the locked to unlocked position) is 5/16".

FRONT MOUNT - SIDE VIEW

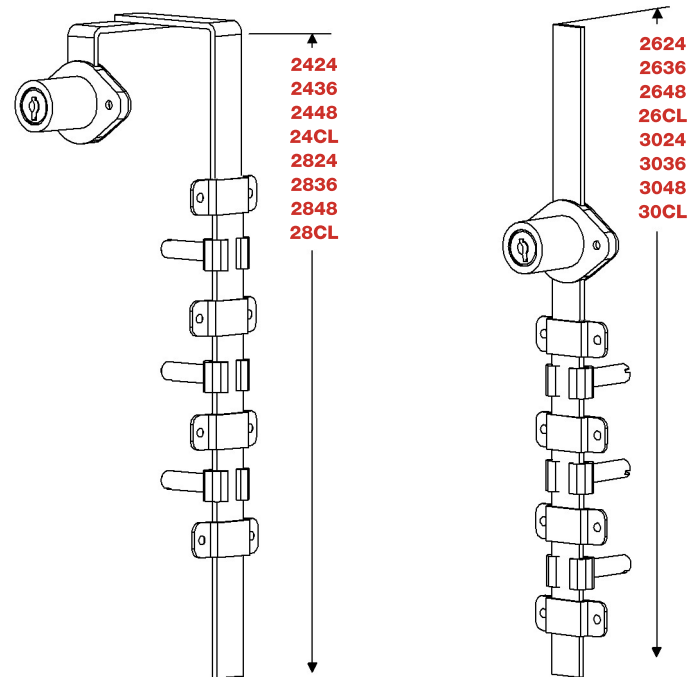


FRONT MOUNT (Shown with a Gang 3C Kit)

FRONT MOUNT - FRONT VIEW

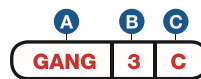


SIDE MOUNT (Shown with a Gang 3C Kit)



Gang Lock Packages

To determine your item number enter the **RED** option code for each section as in the example below.



GANG 3C A kit with three adjustable stops, three 1-1/8" pins, three lock washers, and four closed bar guides.

A Package

GANG

B Number of Drawers

2

3

4

C Pin Length

A 5/8"

B 3/4"

C 1-1/8"

D 1-7/8"

