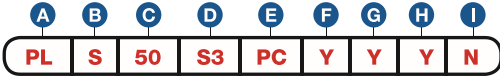


Item Number

To determine your item number enter the **RED** option code for each section as in the example below.



A Lock Style

PL Plunger Lock

B Core Type

S ASSA® Desmo
1-1/4" Housing Length
J Removable Core
1-3/4" Housing Length

C Housing Style

50 Round Flange

D Plunger Type/Length

S SERIES
S1 3/8"
S2 7/16"
S3 5/8"

E Plating Finish

Extended lead-time and plating lot charges may apply to Special and Custom finishes.

Special Finish
PC Polished Chrome
SC Satin Chrome
PB Polished Brass
BL Black
CF Custom Finish

F Key Retaining

N No
Y Yes

G Keyed Different

N No
Y Yes

H Stamp Lock

N No
Y Yes

I Master Keyed

N No
Y* Yes

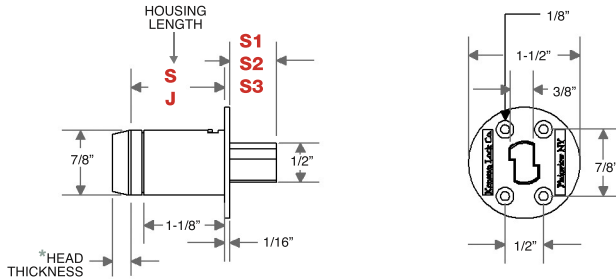
*For Master Keyed Core Type **S** locks, the Head Thickness is 5/8".



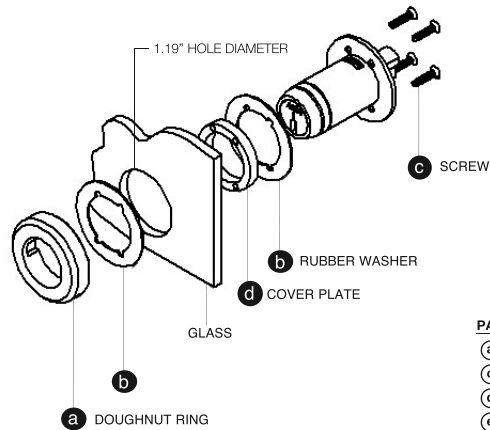
Pat. Pending

All dimensions shown are in the locked position. NOTE: A 1.19" hole is required to mount this glass lock.

D S SERIES



PLS50 GLASS INSTALLATION



PARTS INCLUDED	QTY.
a DOUGHNUT	1
c PLASTIC WASHER	2
d PLASTIC SPACER	1
e SCREW	4