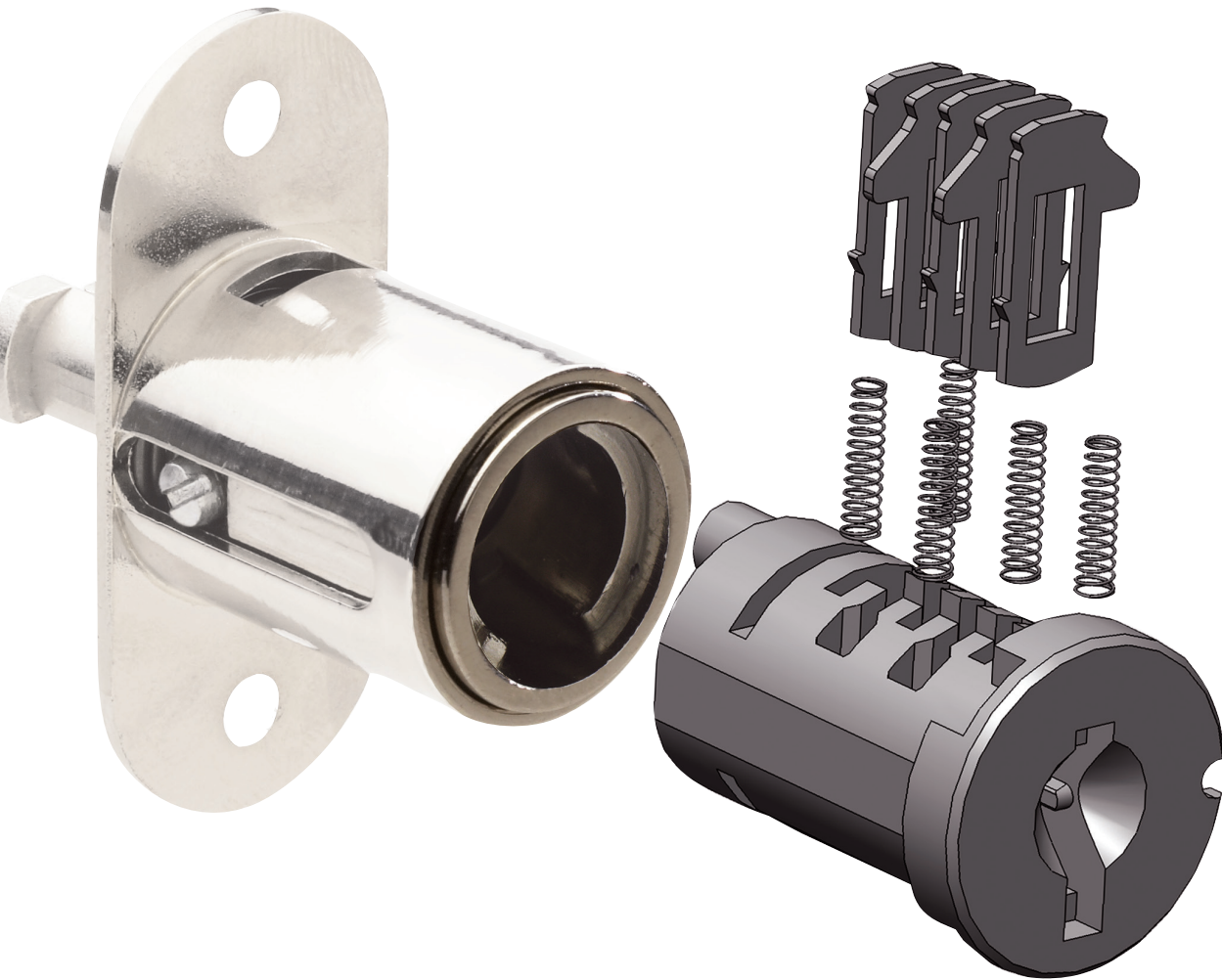


## Disc Tumbler Line of Locks



Introduction	$\frac{D}{1}$				
Cam Locks	$\frac{D}{2}$ $\frac{D}{3}$				
Drawer/Door Locks	$\frac{D}{4}$				
Gang Locks	$\frac{D}{5}$				
Snap Bolt Lock	$\frac{D}{6}$				
Plunger Locks	$\frac{D}{7}$ $\frac{D}{8}$ $\frac{D}{9}$ $\frac{D}{10}$	   			
Ratchet Locks	$\frac{D}{11}$				
Core	$\frac{D}{12}$				
Keys	$\frac{D}{13}$				



## Disc Tumbler Line of Locks

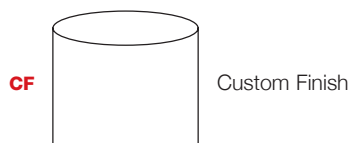
### Standard Plating Finish



### \* Special Plating Finishes



### \* Custom Plating Finish



\* Extended lead-time and plating lot charges may apply to Special and Custom finishes. Please call Kenstan for details.

Our **D** line of locks offers an unparalleled variety of customizable options and security features at an attractive price point. The **D** line is available with two keyways, the **D** and **B**. Should your key become compromised, most of our **D** line locks are also available with a removable core feature. Cores can be replaced using a control key, no need to replace the complete lock. Locks can be keyed individually or in groups with an option to have a Master Key which will open all locks.

#### Key Control

Kenstan can register your keys and maintain your key plans by store, retail department, showcase/cabinets, or office and we maintain a historical database of key numbers.

#### Key Retaining vs. Non-Key Retaining Lock Function

The **D** line standard operation is a non-key retaining function (non-captive), which means that the operating key can be removed in both the locked and unlocked position.

For higher security we recommend the key retaining (captive) function, which ensures that the key can only be removed in the locked position and cannot be accidentally left in the open/unlocked position.

#### Plating

The **D** line standard plating finish is Polished Nickel.

A wide range of special plating finishes is also available, including Satin Nickel, Polished Brass, Satin Brass, Statuary Bronze, Matte Black and Custom Finishes to match your showcase hardware.

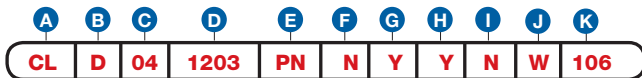
**Please note:** Extended lead-time and plating lot charges may apply to Special and Custom finishes. Please call Kenstan for details.

#### Delivery

At Kenstan, we assemble every lock to order and strive to meet your requested in-house date. Our typical lead time is to ship within one week from the receipt of your order. Call Kenstan customer service for same day Rush orders.

## Item Number

To determine your item number enter the **RED** option code for each section as in the example below.



### A Lock Style

**CL** Cam Lock

### B Core Type

**B** Kenstan B Keyway  
**BR** Kenstan B Keyway - Removable Core  
**D** 54G Keyway  
**DR** 54G Keyway - Removable Core

### C Housing Length

	MAXIMUM MATERIAL THICKNESS			
	WOOD	METAL	GLASS	BARREL LENGTH
<b>01*</b>	-	1/16"	-	7/16
<b>02*</b>	-	3/16"	-	5/8
<b>03*</b>	3/8"	7/16"	5/16"	7/8"
<b>04*</b>	13/16"	7/8"	11/16"	1-1/8"
<b>05</b>	1"	1-1/16"	7/8"	1-3/8"
<b>06</b>	1-5/16"	1-7/16"	1-1/4"	1-11/16
Extended Series	<b>10*</b>	1-1/2"	-	1-3/4"
	<b>11</b>	1-7/8"	-	2"
	<b>12</b>	2"	-	2-1/4"
	<b>13*</b>	2-3/8"	-	2-3/4"
	<b>14</b>	2-3/4"	-	3"
	<b>15</b>	2-15/16"	-	3-1/4"

### D Cam Rotation

	LOCKED	OPEN		LOCKED	OPEN
<b>0312</b>	3	12	<b>0912</b>	9	12
<b>0306</b>	3	6	<b>0903*</b>	9	3
<b>0309*</b>	3	9	<b>0906</b>	9	6
<b>0603</b>	6	3	<b>1203</b>	12	3
<b>0612*</b>	6	12	<b>1206*</b>	12	6
<b>0609</b>	6	9	<b>1209</b>	12	9

### E Plating Finish

Extended lead-time and plating lot charges may apply to Special and Custom finishes.

Special Finish	<b>PN</b>	Polished Nickel
	<b>SN</b>	Satin Nickel
	<b>PB</b>	Polished Brass
	<b>SB</b>	Satin Brass
	<b>BL</b>	Matte Black
	<b>ST</b>	Statuary Bronze
<b>CF</b>	Custom Finish	

### F Key Retaining

**N** No  
**Y** Yes 90 degree Cam Rotation Only

### G Keyed Different

**N** No  
**Y** Yes

### H Stamp Lock

**N** No  
**Y** Yes

### I Master Keyed

**N** No  
**Y** Yes

### J Material Installation

**W** Wood  
**M** Metal  
**GR** Glass with Round Hole  
**GD** Glass with Double "D" Hole  
**O** Other - No Mounting Hardware



All Cam Locks come with a 1-1/4" Straight Cam unless a different cam is chosen.

### K Cam Type

#### STRAIGHT

**101** 5/8"  
**102** 3/4"  
**103** 7/8"  
**104** 1"  
**105** 1-1/8"  
**106** 1-1/4"  
**107** 1-3/8"  
**108** 1-1/2"  
**110** 1-3/4"  
**112** 2"  
**116** 2-1/2"

#### 1/8" OFFSET

**303** 7/8"  
**306** 1-1/4"  
**308** 1-1/2"  
**312** 2"

#### 1/4" OFFSET

**403** 7/8"  
**404** 1"  
**406** 1-1/4"  
**408** 1-1/2"  
**410** 1-3/4"  
**412** 2"  
**414** 2-1/4"

#### 3/8" OFFSET

**504** 1"  
**506** 1-1/4"  
**508** 1-1/2"  
**512** 2"

#### 1/2" OFFSET

**606** 1-1/4"  
**608** 1-1/2"  
**610** 1-3/4"  
**612** 2"

#### 5/8" OFFSET

**712** 2"

#### HOOK

**202** 3/4"  
**204** 1"  
**206** 1-1/4"  
**208** 1-1/2"  
**210** 1-3/4"

#### PIN CAM

**P604** 9/16" offset

#### FOR SWITCH KIT

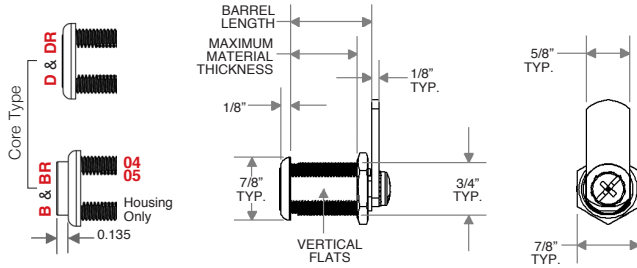
**SL** No Cam\*

\*Switch option available. See Page A10 to order switch kit.  
 \*Not available in Removable Core.  
 \*Not available with Key Retaining feature.

**Continued**

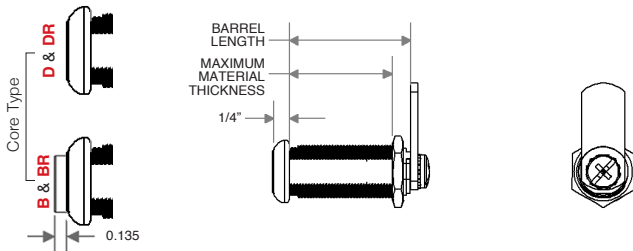
**Note:** Keys are not included with this lock. See page D13 to order keys.

**C HOUSING LENGTH 01, 02, 03, 04 and 05**



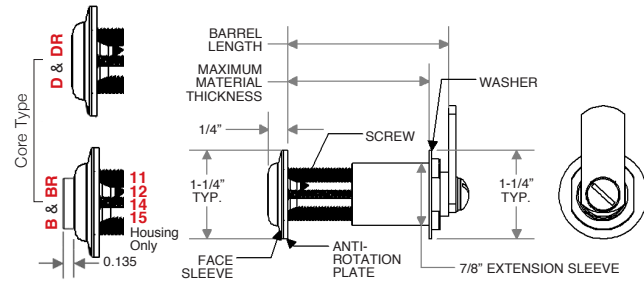
Thicker core face design to help prevent keys from breaking.

**C HOUSING LENGTH 06**



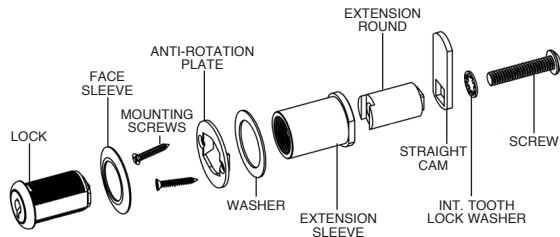
Thicker core face design to help prevent keys from breaking.

**C HOUSING LENGTH 10, 11, 12, 13, 14 and 15**

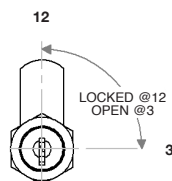


Thicker core face design to help prevent keys from breaking.

**CAM LOCK - EXPLODED VIEW**

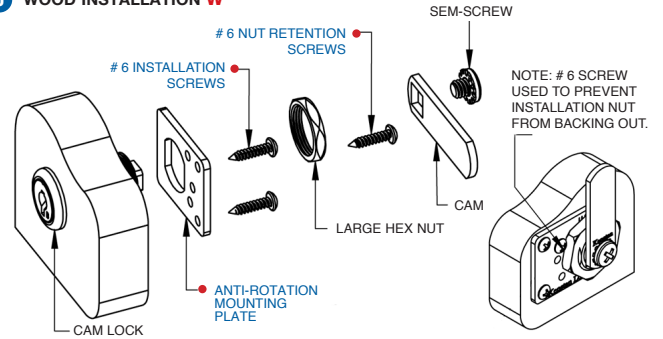


**D CAM ROTATION EXAMPLE**

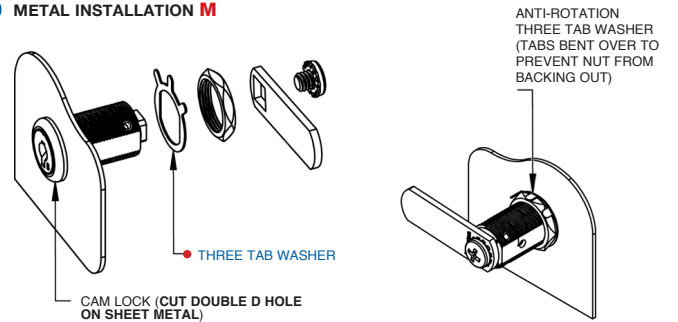


All 180 degree rotations are clockwise, unless specified.

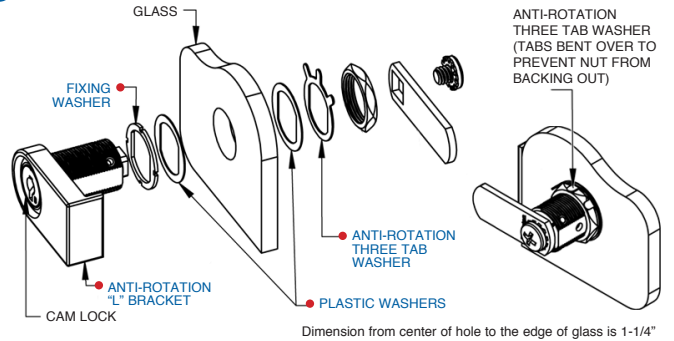
**J WOOD INSTALLATION W**



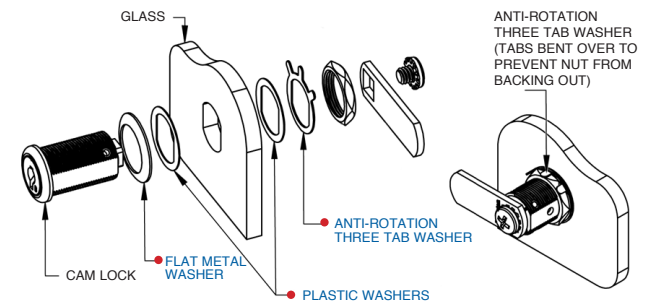
**J METAL INSTALLATION M**



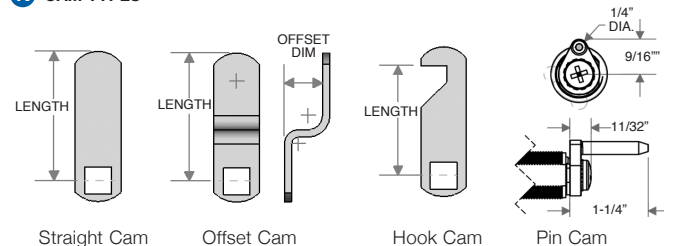
**J GLASS INSTALLATION - ROUND HOLE GR**



**J GLASS INSTALLATION - DOUBLE D HOLE GD**



**K CAM TYPES**



**Note:** All Offset cams are reversible.



**Item Number**

To determine your item number enter the **RED** option code for each section as in the example below.

<b>A</b>	<b>B</b>	<b>C</b>	<b>D</b>	<b>E</b>	<b>F</b>	<b>G</b>	<b>H</b>	<b>I</b>
<b>DL</b>	<b>DR</b>	<b>S</b>	<b>2001</b>	<b>PN</b>	<b>N</b>	<b>Y</b>	<b>Y</b>	<b>N</b>

**A Lock Style**

**DL** Drawer/Door Lock

**B Core Type**

**B** Kenstan B Keyway  
**BR** Kenstan B Keyway Removable Core  
**D** 54G Keyway  
**DR** 54G Keyway Removable Core

**C Housing Length**

**S** 13/16"  
**M** 1-1/16"  
**L** 1-3/16"

**D Bolt Type**

**STRAIGHT BOLT**

**2001** 1-1/16"  
**2002** 1-11/16"  
**2003** 2-5/16"  
**2004** 3-1/8"

**3/8" OFFSET BOLT**

**2205** 1-5/8"

**DIECAST SPRING BOLT**

**3209** 1-5/16" Std.

**INVERTED SLIDING SPRING BOLT**

**3410** 1-5/16" Left  
**3411** 1-5/16" Right

**E Plating Finish**

Extended lead-time and plating lot charges may apply to Special and Custom finishes.

Special Finish	<b>PN</b>	Polished Nickel
	<b>SN</b>	Satin Nickel
	<b>PB</b>	Polished Brass
	<b>SB</b>	Satin Brass
	<b>BL</b>	Matte Black
	<b>ST</b>	Statuary Bronze
	<b>CF</b>	Custom Finish

**F Key Retaining**

\* Option available only on Straight Bolt and 3/8" Offset Bolt models.

**N** No  
**Y\*** Yes

**G Keyed Different**

**N** No  
**Y** Yes

**H Stamp Lock**

**N** No  
**Y** Yes

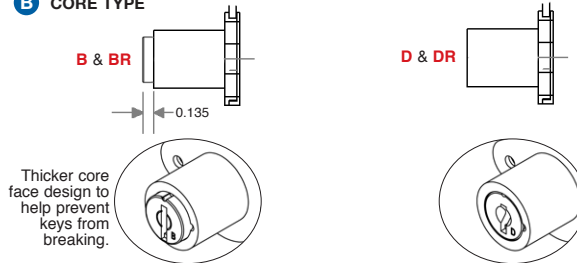
**I Master Keyed**

**N** No  
**Y** Yes

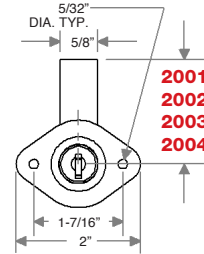


"Throw" (distance bolt travels from the locked to unlocked position) is 5/16".  
 All dimensions shown are in the locked position.

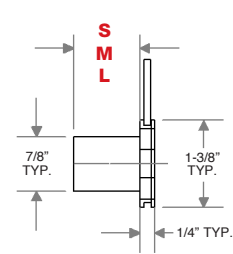
**B CORE TYPE**



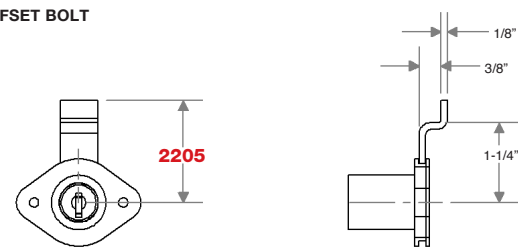
**D STRAIGHT BOLT**



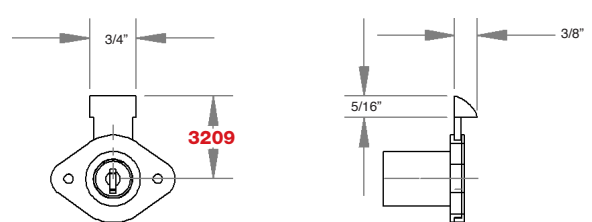
**C HOUSING LENGTH**



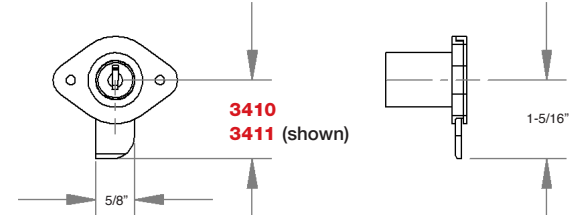
**D 3/8" OFFSET BOLT**



**D DIECAST SPRING BOLT (3/16" bolt engagement recommended)**



**D INVERTED SLIDING SPRING BOLT**



NOTE: Keys are not included with this lock. See page D13 to order keys.

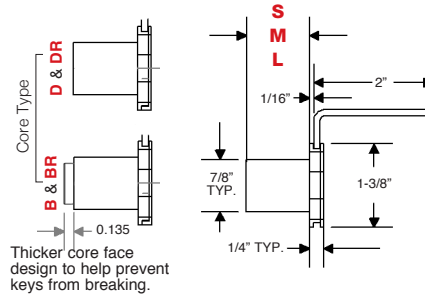
Data Sheet

<b>A Lock Style</b>	<b>GL</b> Gang Lock
<b>B Core Type</b>	<p><b>B</b> Kenstan B Keyway</p> <p><b>BR</b> Kenstan B Keyway Removable Core</p> <p><b>D</b> 54G Keyway</p> <p><b>DR</b> 54G Keyway Removable Core</p>
<b>C Housing Length</b>	<p><b>S</b> 13/16"</p> <p><b>M</b> 1-1/16"</p> <p><b>L</b> 1-3/16"</p>
<b>D Mount Style/Bar Length</b>	<p><b>FRONT MOUNT LOCKED UP</b></p> <p><b>2424</b> 24"</p> <p><b>2436</b> 36"</p> <p><b>2448</b> 48"</p> <p><b>24CL</b> Custom</p> <p><b>24NO</b> No Bar</p> <p><b>SIDE MOUNT LOCKED UP</b></p> <p><b>2624</b> 24"</p> <p><b>2636</b> 36"</p> <p><b>2648</b> 48"</p> <p><b>26CL</b> Custom</p> <p><b>FRONT MOUNT LOCKED DOWN</b></p> <p><b>2824</b> 24"</p> <p><b>2836</b> 36"</p> <p><b>2848</b> 48"</p> <p><b>28CL</b> Custom</p> <p><b>28NO</b> No Bar</p> <p><b>SIDE MOUNT LOCKED DOWN</b></p> <p><b>3024</b> 24" <i>Non Key</i></p> <p><b>3036</b> 36" <i>Retaining Only</i></p> <p><b>3048</b> 48" <i>Retaining Only</i></p> <p><b>30CL</b> Custom</p>
<b>E Plating Finish</b>	<p>Extended lead-time and plating lot charges <b>may</b> apply to Special and Custom finishes.</p> <p><b>PN</b> Polished Nickel</p> <p><b>SN</b> Satin Nickel</p> <p><b>PB</b> Polished Brass</p> <p><b>SB</b> Satin Brass</p> <p><b>BL</b> Matte Black</p> <p><b>ST</b> Statuary Bronze</p> <p><b>CF</b> Custom Finish</p>
<b>F Key Retaining</b>	<p>"Side Mount Locked Down" available in Non Key Retaining only.</p> <p><b>N</b> No</p> <p><b>Y</b> Yes</p>
<b>G Keyed Different</b>	<p><b>N</b> No</p> <p><b>Y</b> Yes</p>
<b>H Stamp Lock</b>	<p><b>N</b> No</p> <p><b>Y</b> Yes</p>
<b>I Master Keyed</b>	<p><b>N</b> No</p> <p><b>Y</b> Yes</p>

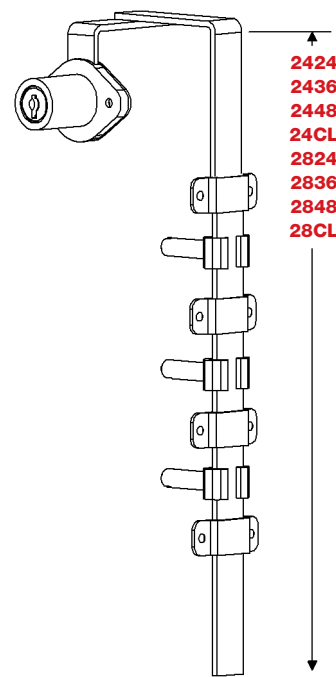
NOTE: Keys are not included with this lock. See page D13 to order keys.

"Throw" (distance bolt travels from the locked to unlocked position) is 5/16".

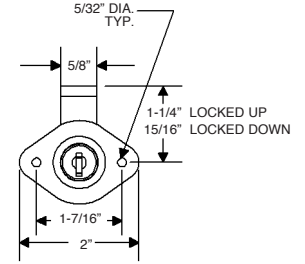
FRONT MOUNT - SIDE VIEW



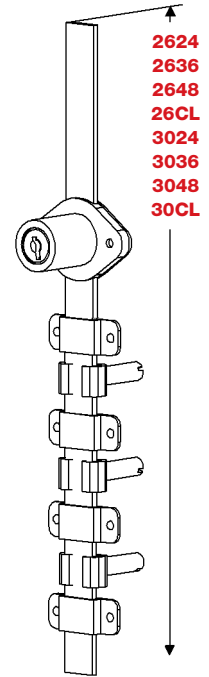
FRONT MOUNT (Shown with a Gang 3C Kit)



FRONT MOUNT - FRONT VIEW

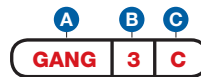


SIDE MOUNT (Shown with a Gang 3C Kit)



**Gang Lock Packages**

To determine your item number enter the **RED** option code for each section as in the example below.



**GANG 3C** A kit with three adjustable stops, three 1-1/8" pins, three lock washers, and four closed bar guides.

**A Package**

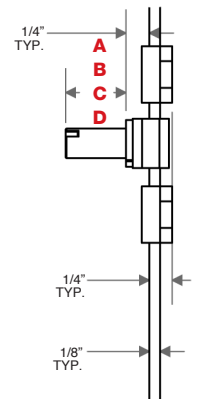
**GANG**

**B Number of Drawers**

**2**  
**3**  
**4**

**C Pin Length**

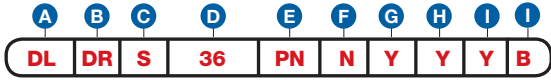
**A** 5/8"  
**B** 3/4"  
**C** 1-1/8"  
**D** 1-7/8"





**Item Number**

To determine your item number enter the **RED** option code for each section as in the example below.



**A Lock Style**

**DL** Drawer/Door Lock

**B Core Type**

**B** Kenstan B Keyway  
**BR** Kenstan B Keyway Removable Core  
**D** 54G Keyway  
**DR** 54G Keyway Removable Core

**C Housing Length/Style**

**STANDARD**  
**S** 13/16"  
**M** 1-1/16"  
**L** 1-3/16"  
**LOW PROFILE**  
**SL** 13/16"

**D Bolt Type**

**SNAP BOLT**  
**36** 3/4"

**E Plating Finish**

Extended lead-time and plating lot charges may apply to Special and Custom finishes.

**PN** Polished Nickel  
**SN** Satin Nickel  
**PB** Polished Brass  
**SB** Satin Brass  
**BL** Matte Black  
**ST** Statuary Bronze  
**CF** Custom Finish

**F Key Retaining**

**N** No

**G Keyed Different**

**N** No  
**Y** Yes

**H Stamp Lock**

**N** No  
**Y** Yes

**I Master Keyed**

**N** No  
**Y** Yes

**J Strike Profile**

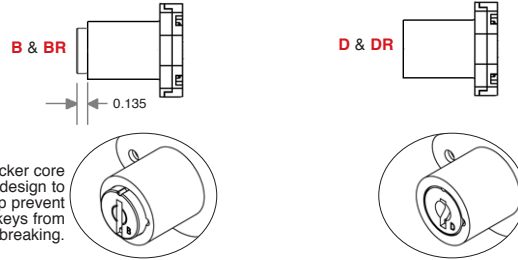
**A** Low  
**B** Standard  
**C** Large

**Note:** Keys are not included with this lock. See page D13 to order keys.

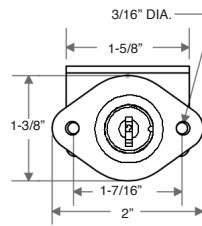


All dimensions shown are in the locked position.

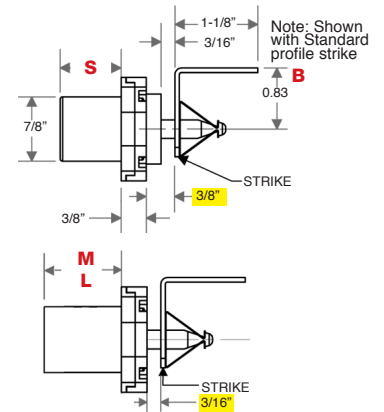
**B CORE TYPE**



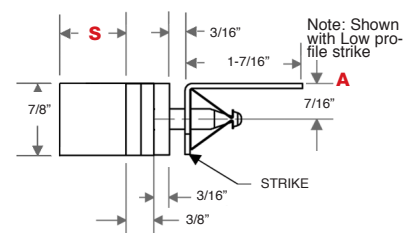
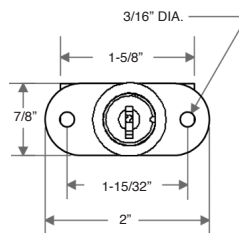
**D STANDARD SNAP BOLT**



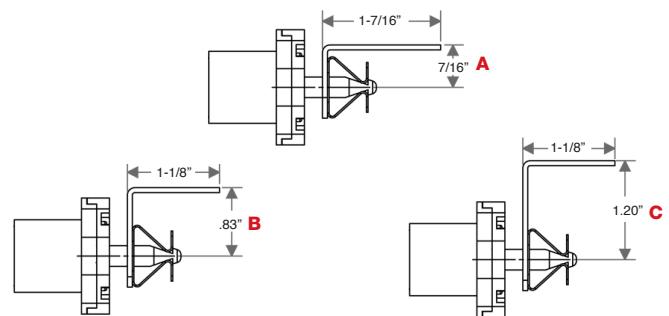
**C HOUSING LENGTH**



**D LOW PROFILE SNAP BOLT**



**H STRIKE PROFILE (SHOWN WITH STANDARD HOUSING)**

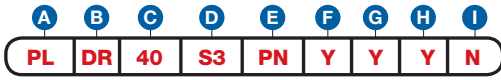




### Data Sheet

#### Item Number

To determine your item number enter the **RED** option code for each section as in the example below.



**A Lock Style**  
**PL** Plunger Lock

**B Core Type**  
**BR** Kenstan B Keyway  
 Removable Core  
**DR** 54G Keyway  
 Removable Core

**C Housing Style**  
**40** Oval Flange

#### D Plunger Type/Length

##### S SERIES

**S1** 3/8"  
**S2** 7/16"  
**S3** 5/8"

##### T SERIES

**T1** 1/4"  
**T3** 9/16"

##### ROUND SERIES

**R1** 3/8"  
**R2** 7/16"  
**R3** 5/8"

##### ROUND EXTENDED SERIES

**R4** 1-3/16"  
**R5** 1-5/16"  
**R6** 1-11/16"  
**R7** 2-7/16"

**E Plating Finish**  
 Extended lead-time and plating lot charges may apply to Special and Custom finishes.

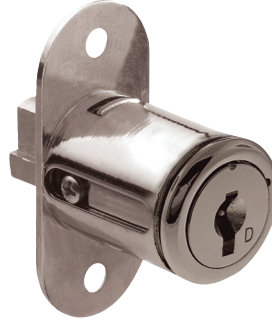
Special Finish	<b>PN</b> Polished Nickel
	<b>SN</b> Satin Nickel
	<b>PB</b> Polished Brass
	<b>SB</b> Satin Brass
	<b>BL</b> Matte Black
	<b>ST</b> Statuary Bronze
	<b>CF</b> Custom Finish

**F Key Retaining**  
**N** No  
**Y** Yes

**G Keyed Different**  
**N** No  
**Y** Yes

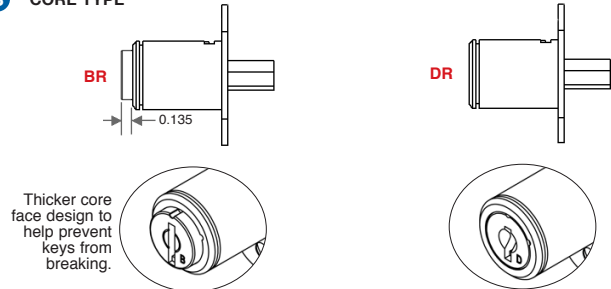
**H Stamp Lock**  
**N** No  
**Y** Yes

**I Master Keyed**  
**N** No  
**Y** Yes

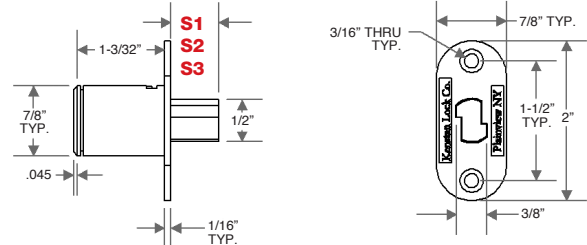


All dimensions shown are in the locked position.

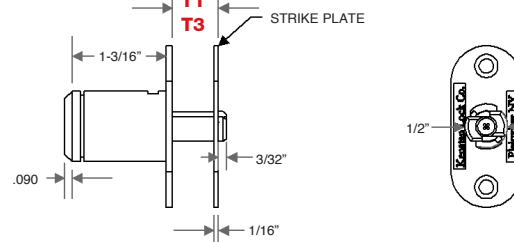
#### B CORE TYPE



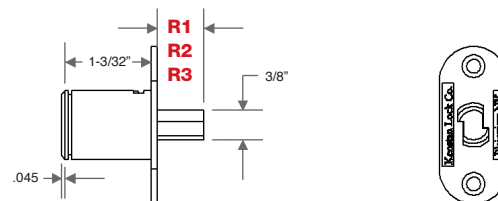
#### D S SERIES



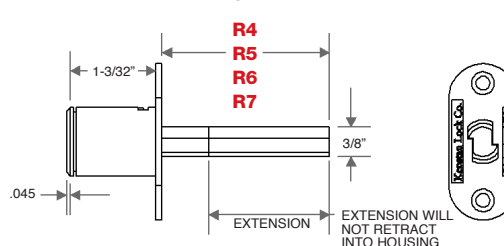
#### D T SERIES



#### D ROUND SERIES



#### D ROUND EXTENDED SERIES (Plunger travels 5/8")



**Note:** Keys are not included with this lock. See page D13 to order keys.



**Item Number**

To determine your item number choose one **RED** option code from each section below.

**A Lock Style**

**PL** Plunger Lock

**B Core Type**

**BR** Kenstan B Keyway  
Removable Core  
**DR** 54G Keyway  
Removable Core

**C Housing Style**

**45** No Flange

**D Plunger Type/Length**

**S SERIES**

**S1** 5/16"  
**S2** 7/16"  
**S3** 5/8"

**T SERIES**

**T1** 1/4"  
**T3** 9/16"

**ROUND SERIES**

**R1** 5/16"  
**R2** 7/16"  
**R3** 5/8"

**ROUND EXTENDED SERIES**

**R4** 1-3/16"  
**R5** 1-5/16"  
**R6** 1-11/16"  
**R7** 2-7/16"

**E Plating Finish**

Extended lead-time and plating lot charges may apply to Special and Custom finishes.

Special Finish	<b>PN</b> Polished Nickel
	<b>SN</b> Satin Nickel
	<b>PB</b> Polished Brass
	<b>SB</b> Satin Brass
	<b>BL</b> Matte Black
	<b>ST</b> Statuary Bronze
<b>CF</b> Custom Finish	

**F Key Retaining**

**N** No  
**Y** Yes

**G Keyed Different**

**N** No  
**Y** Yes

**H Stamp Lock**

**N** No  
**Y** Yes

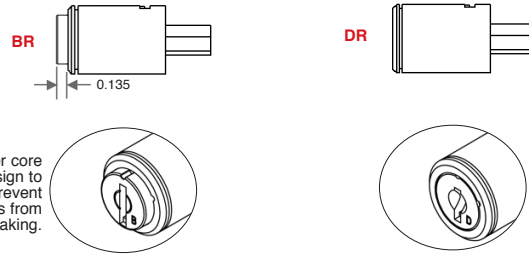
**I Master Keyed**

**N** No  
**Y** Yes

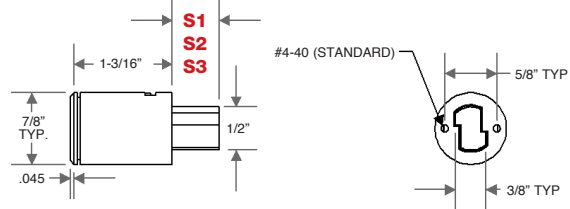


All dimensions shown are in the locked position.

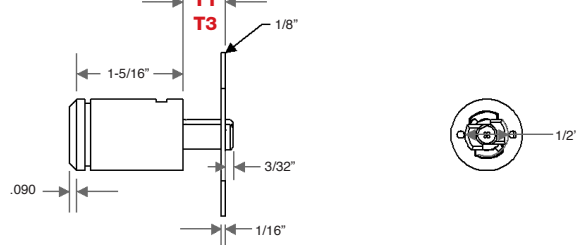
**B CORE TYPE**



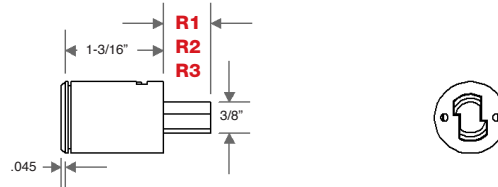
**D S SERIES**



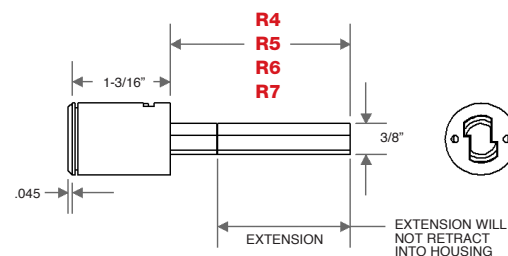
**D T SERIES**



**D ROUND SERIES**



**D ROUND EXTENDED SERIES (Plunger travels 5/8")**



**Note:** Keys are not included with this lock. See page D13 to order keys.

### Data Sheet

#### Item Number

To determine your item number choose one **RED** option code from each section below.

#### A Lock Style

**PL** Plunger Lock

#### B Core Type

**BR** Kenstan B Keyway  
Removable Core  
**DR** 54G Keyway  
Removable Core

#### C Housing Style

**50** Round Flange

#### D Plunger Type/Length

##### S SERIES

**S1** 3/8"  
**S2** 7/16"  
**S3** 5/8"

##### T SERIES

**T1** 1/4"  
**T3** 9/16"

##### L SERIES

*New* **L3** 3/8"

##### ROUND SERIES

**R1** 3/8"  
**R2** 7/16"  
**R3** 5/8"

##### ROUND EXTENDED SERIES

**R4** 1-3/16"  
**R5** 1-5/16"  
**R6** 1-11/16"  
**R7** 2-7/16"

#### E Plating Finish

Extended lead-time and plating lot charges may apply to Special and Custom finishes.

**PN** Polished Nickel  
**SN** Satin Nickel  
**PB** Polished Brass  
**SB** Satin Brass  
**BL** Matte Black  
**ST** Statuary Bronze  
**CF** Custom Finish

#### F Key Retaining

**N** No  
**Y** Yes

#### G Keyed Different

**N** No  
**Y** Yes

#### H Stamp Lock

**N** No  
**Y** Yes

#### I Master Keyed

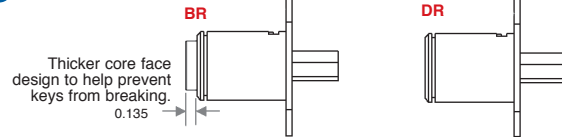
**N** No  
**Y** Yes

**Note:** Keys are not included with this lock. See page D13 to order keys.

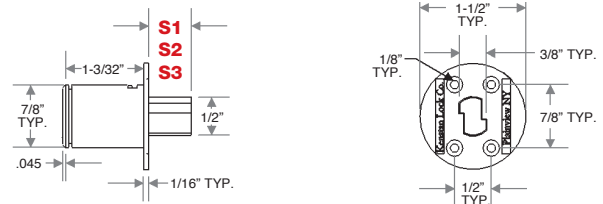


All dimensions shown are in the locked position.

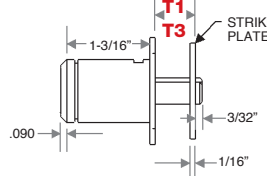
#### B CORE TYPE



#### D S SERIES (Parts included same as Round Series)

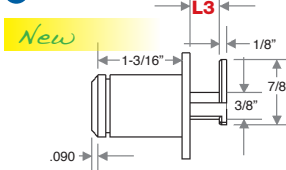


#### D T SERIES



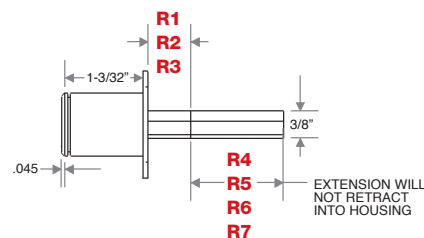
PARTS INCLUDED	QTY.
(a) DOUGHNUT	2
(b) J BRACKET (anti-rotation)	1
(c) PLASTIC WASHER	4
(d) PLASTIC SPACER	2
(e) SCREW	8
(f) STRIKE PLATE	1

#### D L SERIES



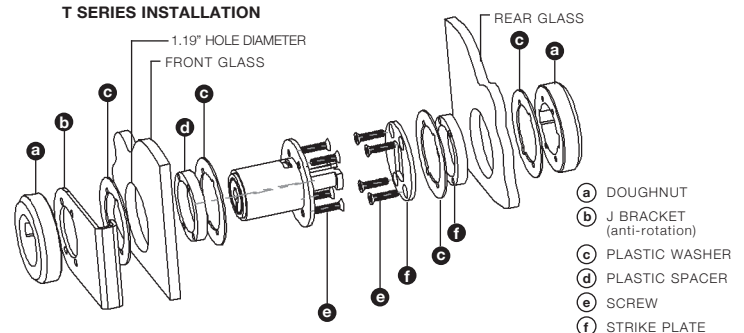
PARTS INCLUDED	QTY.
(a) DOUGHNUT	1
(b) J BRACKET (anti-rotation)	1
(c) PLASTIC WASHER	2
(d) PLASTIC SPACER	1
(e) SCREW	4

#### D ROUND SERIES (Plunger travels 5/8")



PARTS INCLUDED	QTY.
(a) DOUGHNUT	1
(c) PLASTIC WASHER	2
(d) PLASTIC SPACER	1
(e) SCREW	4

#### T SERIES INSTALLATION

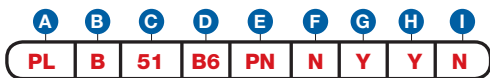


(a) DOUGHNUT
(b) J BRACKET (anti-rotation)
(c) PLASTIC WASHER
(d) PLASTIC SPACER
(e) SCREW
(f) STRIKE PLATE



**Item Number**

To determine your item number enter the **RED** option code for each section as in the example below.



**A Lock Style**

**PL** Plunger Lock

**B Core Type**

**B** Kenstan B Keyway  
**D** 54G Keyway

**C Housing Style**

**51** Key Hole Lock

**D Material Thickness/Plunger**

	MATERIAL THICKNESS	PLUNGER LENGTH
<b>SHORT BACK 1.20</b>		
<b>B3</b>	1/4"	3/4" Std.
<b>B4</b>	3/8"	5/8"
<b>LONG BACK 2.08</b>		
<b>B6</b>	1/4"	1-1/2" Std.
<b>B7</b>	3/8"	1-3/8"
<b>B8</b>	7/8"	1-1/32"

**E Plating Finish**

Extended lead-time and plating lot charges **may** apply to Special and Custom finishes.

Special Finish	Code	Description
	<b>PN</b>	Polished Nickel
	<b>SN</b>	Satin Nickel
	<b>PB</b>	Polished Brass
	<b>SB</b>	Satin Brass
	<b>BL</b>	Matte Black
	<b>ST</b>	Statuary Bronze
	<b>CF</b>	Custom Finish

**F Key Retaining**

**N** No  
**Y** Yes

**G Keyed Different**

**N** No  
**Y** Yes

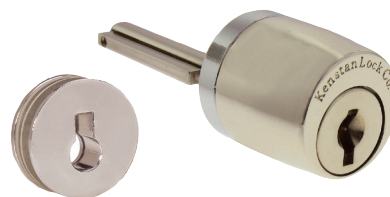
**H Stamp Lock**

**N** No  
**Y** Yes

**I Master Keyed**

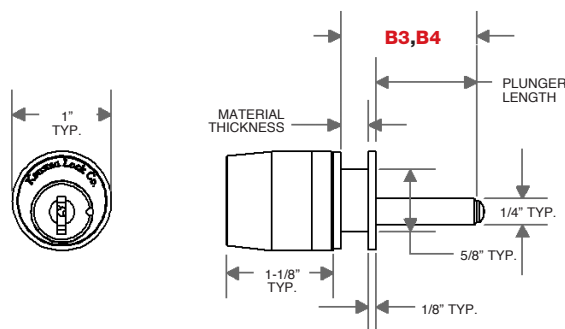
**N** No  
**Y** Yes

**Note:** Keys are not included with this lock. See page D13 to order keys.

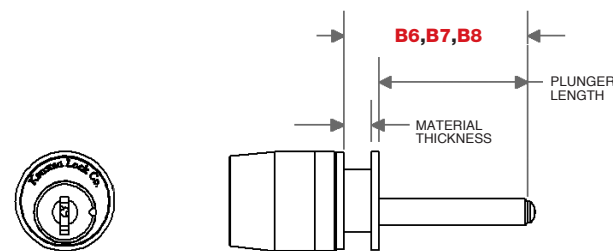


All dimensions shown are in the locked position.

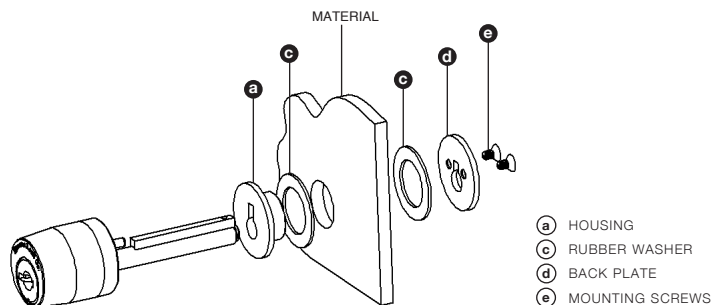
**D SHORT PLUNGER**



**D LONG PLUNGER**



**KEY HOLE LOCK - EXPLODED VIEW**



Data Sheet

**Item Number**

To determine your item number choose one **RED** option code from each section below.

**A Lock Style**

**RL** Ratchet Lock

**B Core Type**

**B** Kenstan B Keyway  
**D** 54G Keyway

**C Housing Style**

**60** Ratchet

**D Bar Type**

**B1** Standard  
**B2** Adjustable  
**B5** Stick on (Outer Surface)  
**Best Seller B9** Stick on (Inner Surface)

**E Plating Finish**

Extended lead-time and plating lot charges may apply to Special and Custom finishes.

**PN** Polished Nickel  
**SN** Satin Nickel  
**CF** Custom Finish

**F Key Retaining**

**N** No

**G Keyed Different**

**N** No  
**Y** Yes

**H Stamp Lock**

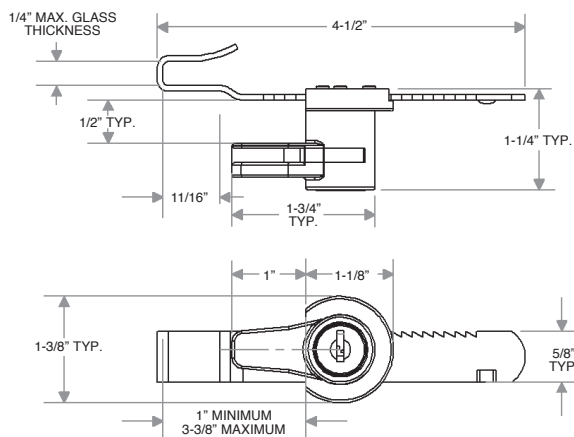
**N** No  
**Y** Yes

**I Master Keyed**

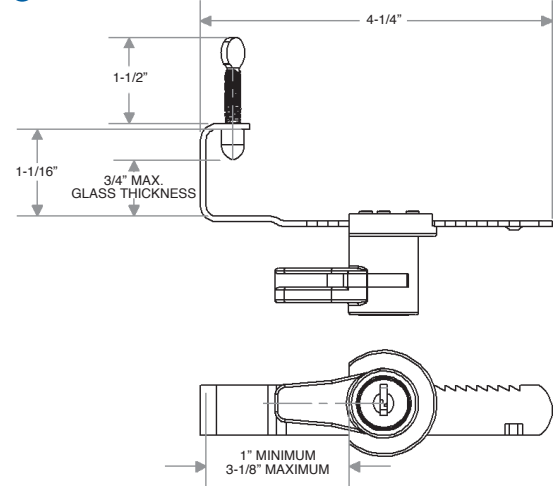
**N** No  
**Y** Yes

**Note:** Keys are not included with this lock. See page D13 to order keys.

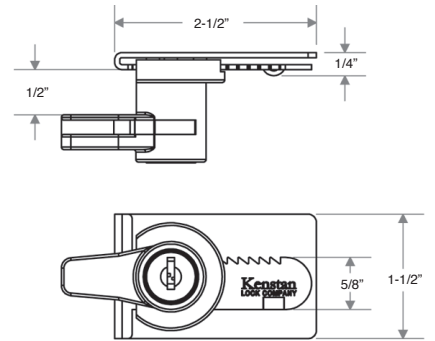
**D STANDARD BAR B1**



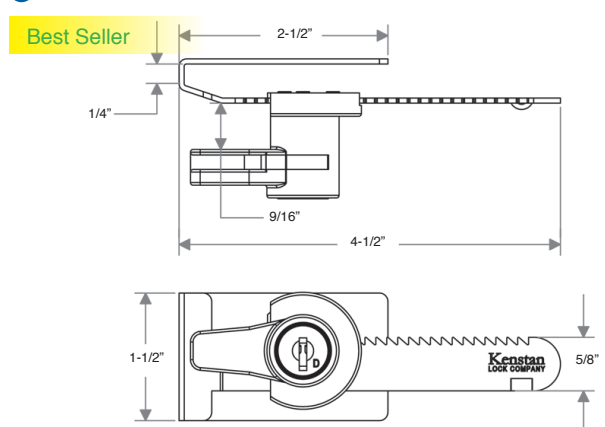
**D ADJUSTABLE BAR B2**



**D STICK ON BAR B5**

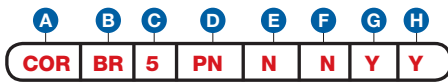


**D STICK ON BAR (Inner Surface) B9**



**Item Number**

To determine your item number enter the **RED** option code for each section as in the example below.

**A Lock Style**

**COR** Core

**B Core Type**

**BR** Kenstan B Keyway  
Removable Core

**DR** 54G Keyway  
Removable Core

**C Number of Tumbler**

**5** Std. 5 Tumbler

**D Plating Finish**

Extended lead-time and plating lot charges **may** apply to Special and Custom finishes.

Special Finish	<b>PN</b>	Polished Nickel
	<b>SN</b>	Satin Nickel
	<b>PB</b>	Polished Brass
	<b>SB</b>	Satin Brass
	<b>BL</b>	Matte Black
	<b>ST</b>	Statuary Bronze
	<b>CF</b>	Custom Finish

**E Key Retaining**

**N** No Option

**F Keyed Different**

**N** No  
**Y** Yes

**G Stamp Lock**

**N** No  
**Y** Yes

**H Master Keyed**

**N** No  
**Y** Yes

**Note:** Keys are not included with this lock.  
See page D13 to order keys.

**USED ON THE FOLLOWING REMOVABLE CORE LOCK TYPES:**

-CAM LOCKS

-DRAWER/DOOR LOCKS

-GANG LOCKS

-DL36 SNAP BOLT LOCK

-PL40 PLUNGER LOCKS

-PL45 PLUNGER LOCKS

-AND

-PL50 PLUNGER LOCKS

## Disc Tumbler B Controlled Keys

The **B** Keyway limits unauthorized key duplication since Kenstan key blanks are never sold. To easily identify **B** keyway locks a "B" is marked on the Core face. Keys are sold separately from the locks.

## Disc Tumbler D (54G) Keys.

In an effort to minimize key proliferation, Kenstan does not include keys with **D** (54G) keyway locks. All keys must be ordered separately.

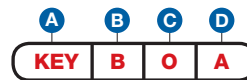
Kenstan recommends the purchase of our factory original keys to ensure smooth lock operation. Use of non-Kenstan copy keys will void the Kenstan Warranty on our locks.

Kenstan Control Keys are used to remove and replace the cores on Removable Core locks.



### Item Number

To determine your item number enter the **RED** option code for each section as in the example below.



#### **A** Item

**KEY** Key

#### **B** Core Type

**D** Disc Tumbler  
**B** Controlled Keyway

#### **C** Key Function

**O** Operating  
**M** Master  
**C** Control  
**CM** Master Control

#### **D** Key Code

**XXXXX** Specific  
Up to 5 digits  
**A** Any  
Kenstan assigns

- 1. Pricing:** Kenstan Lock reserves the right to institute price adjustments based upon fluctuation of material costs without prior notice. Orders, or balances of orders, that have not shipped within 6 months from the original order date may be subject to a price review.
- 2. Payment Terms:** Payment must be made at time of purchase, unless otherwise approved by Kenstan with terms of Net 30 Days from the date of the invoice. A service charge of 1.5% per month will be charged on overdue accounts.
- 3. Shipping:** Please be sure to specify your preferred shipping method on every order. For all orders received without shipping instructions, Kenstan will use our discretion to make carrier selection based upon the most economical method of shipment available to meet your required in house date. Kenstan is not responsible for risk of loss or damage to products in transit with the selected carrier.
- 4. Deliveries:** At Kenstan, we assemble every lock to order and strive to meet your requested in-house date. Our standard lead time is to ship within two weeks from the receipt of your order. Rush orders and emergency services are available. Unless specifically prohibited in writing by the purchaser, Kenstan reserves the right to make partial shipments of any order.
- 5. Inspection:** Kenstan Lock inspects all products in accordance with our standard quality control procedures. Upon receipt and inspection by the purchaser, any parts proven to be defective or not as ordered may be returned to Kenstan for repair or replacement following the conditions in the "Returned Goods" section (#6) below.
- 6. Returned Goods:** Product replacement or account credit for any returned goods will be made solely at the discretion of Kenstan and will only be accepted upon the issuance of a Return Authorization number from Kenstan's Customer Service Department. Merchandise proven to be defective, due to faulty material and/or workmanship, may be returned for full replacement or credit. Any product ordered incorrectly by the customer may be accepted for return and subject to a 50% handling charge. Locks made with special or out-of production parts are not returnable, unless prior arrangements have been made. Returned merchandise that is damaged in transit, due to inadequate return packaging, will not be accepted.
- 7. Warranty:** Kenstan Lock warrants, for a period of one year from delivery, that our products are free from defects in material and workmanship and makes no other warranties, expressed or implied, including but not limited to the degree of security or the purchaser's application or use of our product. Kenstan Lock Co. will not warranty any locks or parts that were modified outside of our factory. In the event of a product defect, Kenstan shall only be responsible to the extent of the cost of our product, and will not accept any claims for labor or loss of merchandise.
- 8. Cancellation:** If all or any part of an order is cancelled before the completion of the product assembly by Kenstan, the purchaser shall be responsible for payment of all assembled items as well as any special parts ordered for items remaining unassembled at the time of cancellation. If pricing on the original order was based upon Kenstan's quantity discount, a partial cancellation may affect the pricing on items already shipped and invoiced and a price adjustment will be made.
- 9. Catalog Dimensions and Sample Policy:** Please be aware that all lock and part drawing dimensions carry a tolerance of plus or minus 1/16" and are for reference only. Please contact us for actual dimensions. All specifications are subject to change without notice. Samples products are available upon request.